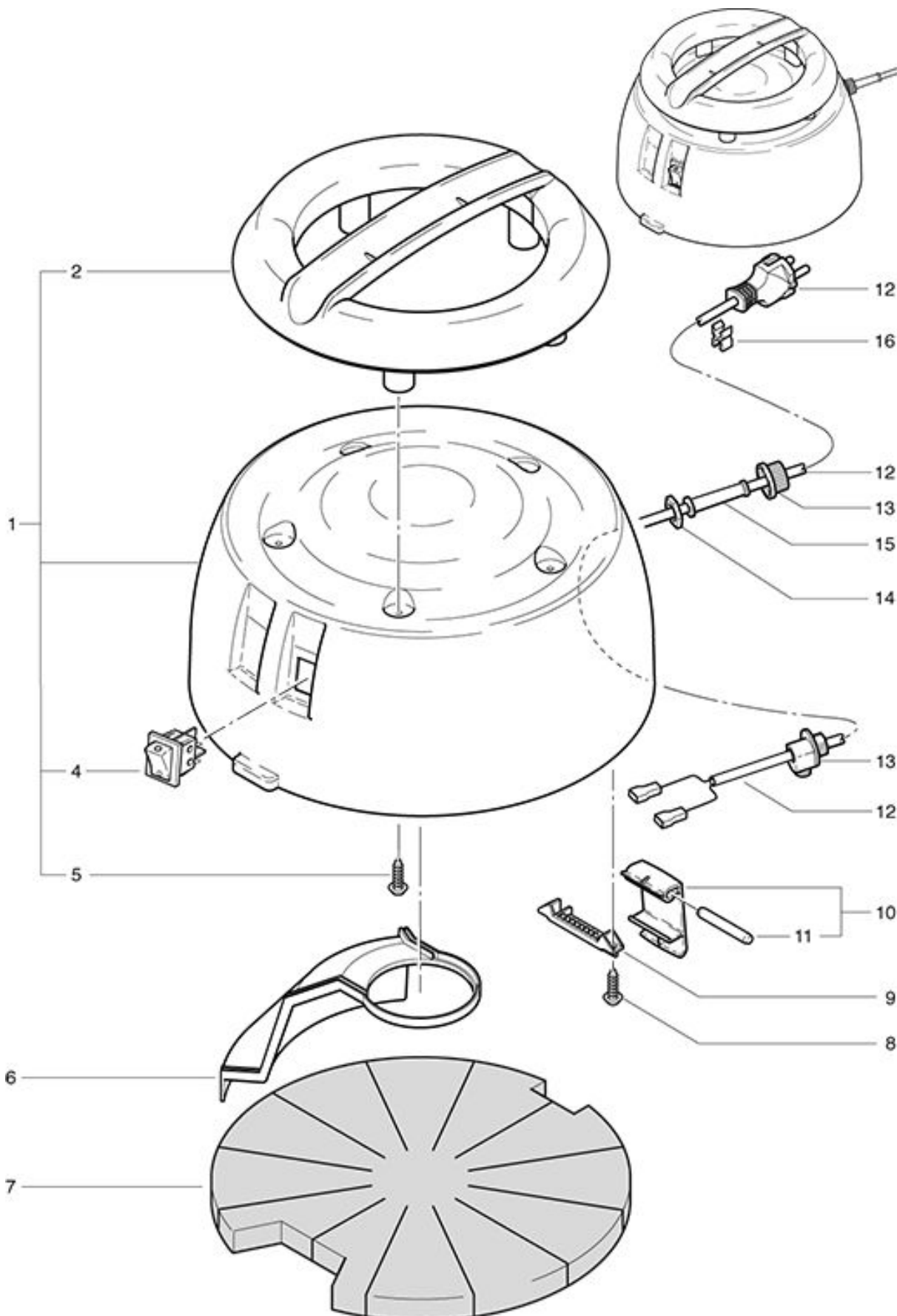


SW 21 Combi Dome

As at: 05/24/08 Time:07:29



SW 21 Combi Dome

As at: 05/24/08 Time:07:29

Pos.	Description	Reference
01	Dome complete, SW 21 including items 2-5	021.201
02	Handle	022.112
04	Tumbler switch	P...240
05	PT screw KA 40x18	P...516 G
06	Air canal cover	020.213
07	Noise absorber	021.206
08	PT screw KA 30x20	P...516 E
09	Pin hold	022.114
10	Seal lever compl.	022.122
11	Pin	022.115
12	Electrical connection SEV	P...287 A
12	Electrical connection VDE	P...288 A
13	Cable clamp	P...279
14	Conter nut PG 9	P...279 H
15	Cable protection	P...280
16	Cable clamp	P...278