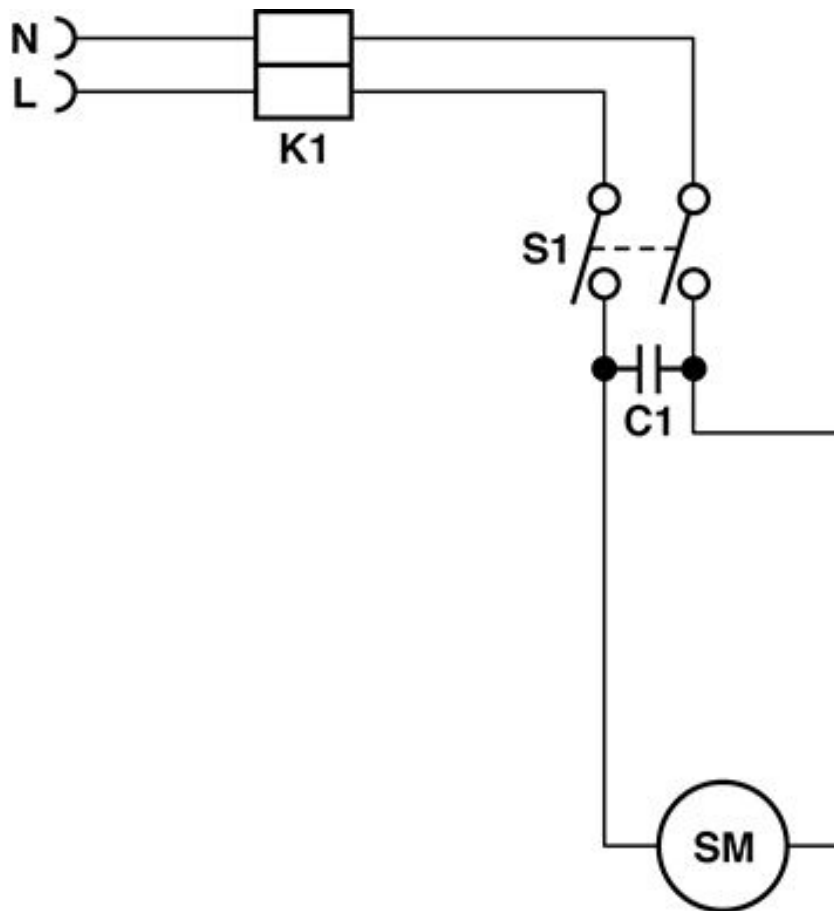


SW 21 Combi
Wiring diagram

As at: 05/24/08 Time:07:33



- K1 = Reihenklemme / Serre-fil / Cable clamp
- S1 = Wippenschalter / Interrupteur / Tumbler switch
- C1 = Kondensator / Condensateur / Capacitor 0.15 F
- SM = Saugmotor / Moteur d'aspiration / Vacuum motor

SW 21 Combi

Wiring diagram

As at: 05/24/08 Time:07:33

Pos.	Description	Reference
C 1	Capacitor 0,15 uF	P...393 E
K1	Cable clamp	P...383 H
S1	Tumbler switch	P...240
SM	Vacuum motor 230V/50Hz 1000 W	P...870 E