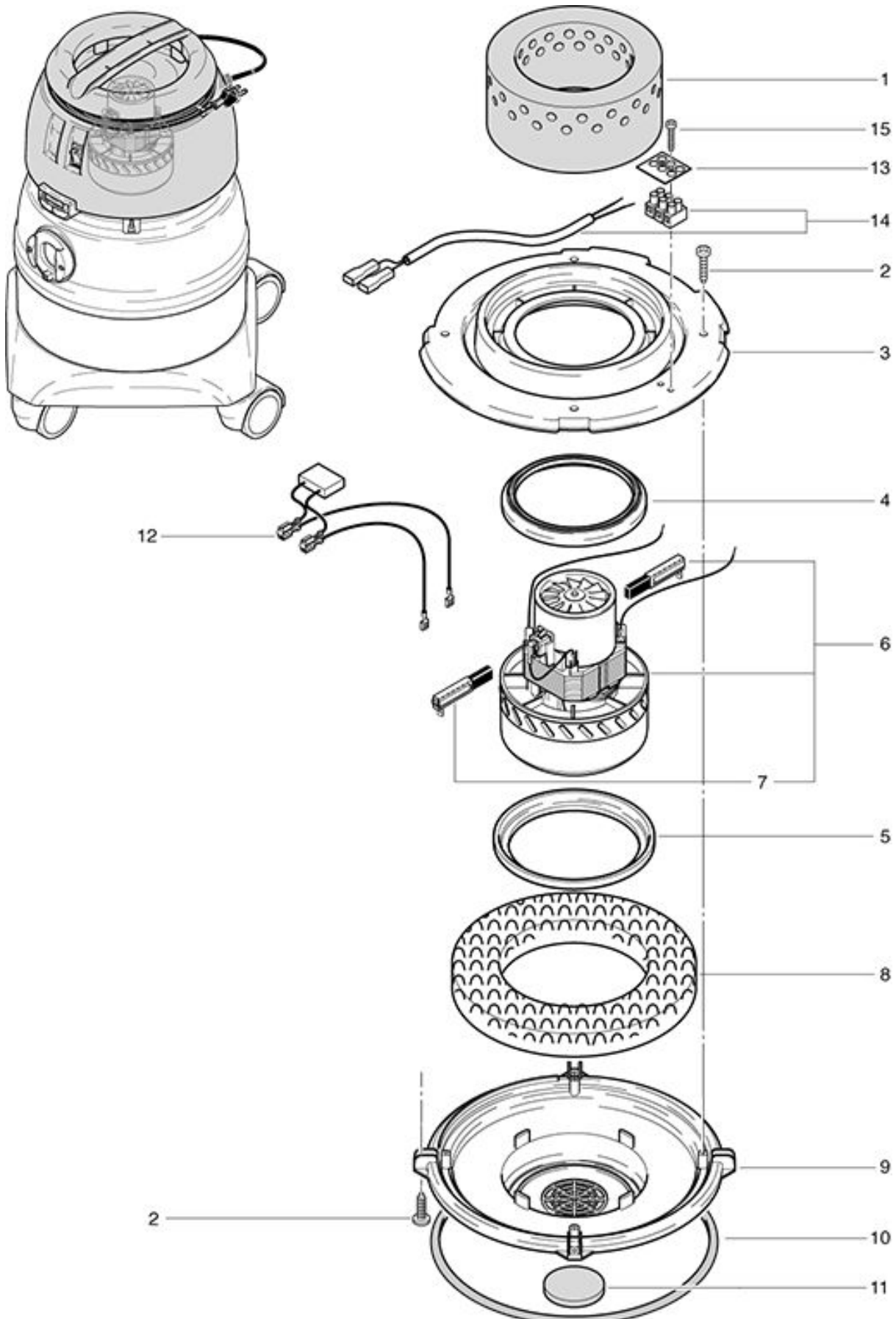


**SW 21 Combi
Vacuum motor**

As at: 05/24/08 Time:07:32



SW 21 Combi

Vacuum motor

As at: 05/24/08 Time:07:32

Pos.	Description	Reference
01	Isolation cap	020.211
02	PT screw KA 40x16	P...516 C
03	Motorplate	020.303
04	Profile	022.133
05	Profile	P...971 H
06	Vacuum motor 230V/50Hz 1000 W	P...870 E
07	Carbon brush	P...870 KB
08	Isolation ring	020.309
09	Reinforcement piece	020.308
10	Bucket gasket	020.304
11	Airfilter for motor	022.134
12	Motor cable incl. Capacitor	022.143
13	Marking plate	P...390
14	Cable tree with cable clamp	020.307
15	PT screw KA 30x20	P...516 E