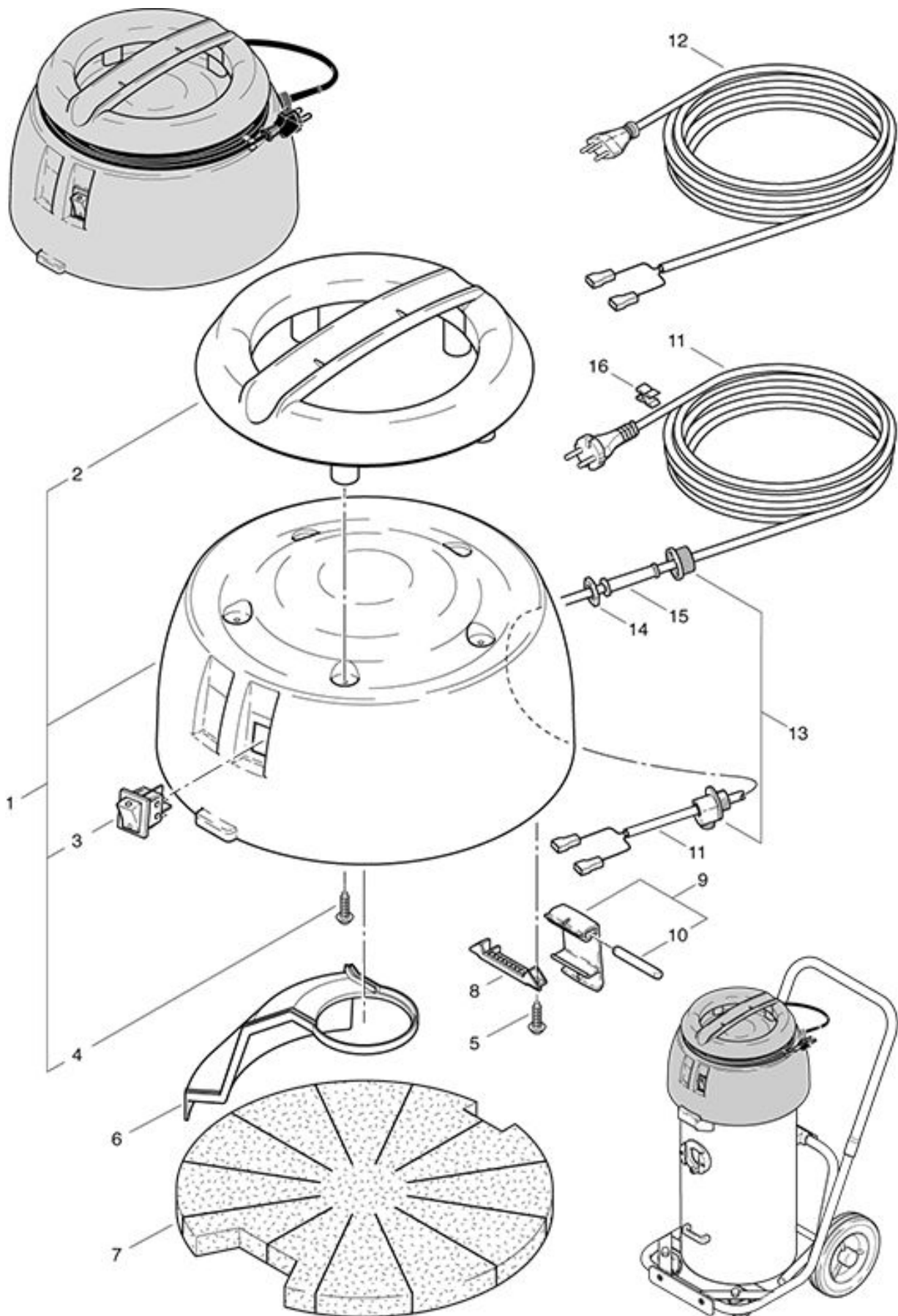


**SW 25 KW**  
**Cover**

As at: 05/24/08 Time:07:54



# SW 25 KW Cover

As at: 05/24/08 Time:07:54

<b>Pos.</b>	<b>Description</b>	<b>Reference</b>
01	Cover in red complete including: items 2-4	021.201
02	Handle	022.112
03	Tumbler switch LED	P...240
04	PT screw KA 40x16	P...516 G
05	PT screw KA 40x16	P...516 C
06	Air canal cover	020.213
07	Noise absorber	021.206
08	Pin hold	022.114
09	Sealing lever complete including pin	022.122
10	Pin	022.115
11	Electrical connection VDE	P...288 A
12	Electrical connection SEV	P...287 A
13	Cable clamp	P...279
14	Counter nut PG 9	P...279 H
15	Cable protection	P...280
16	Cable clamp	P...278