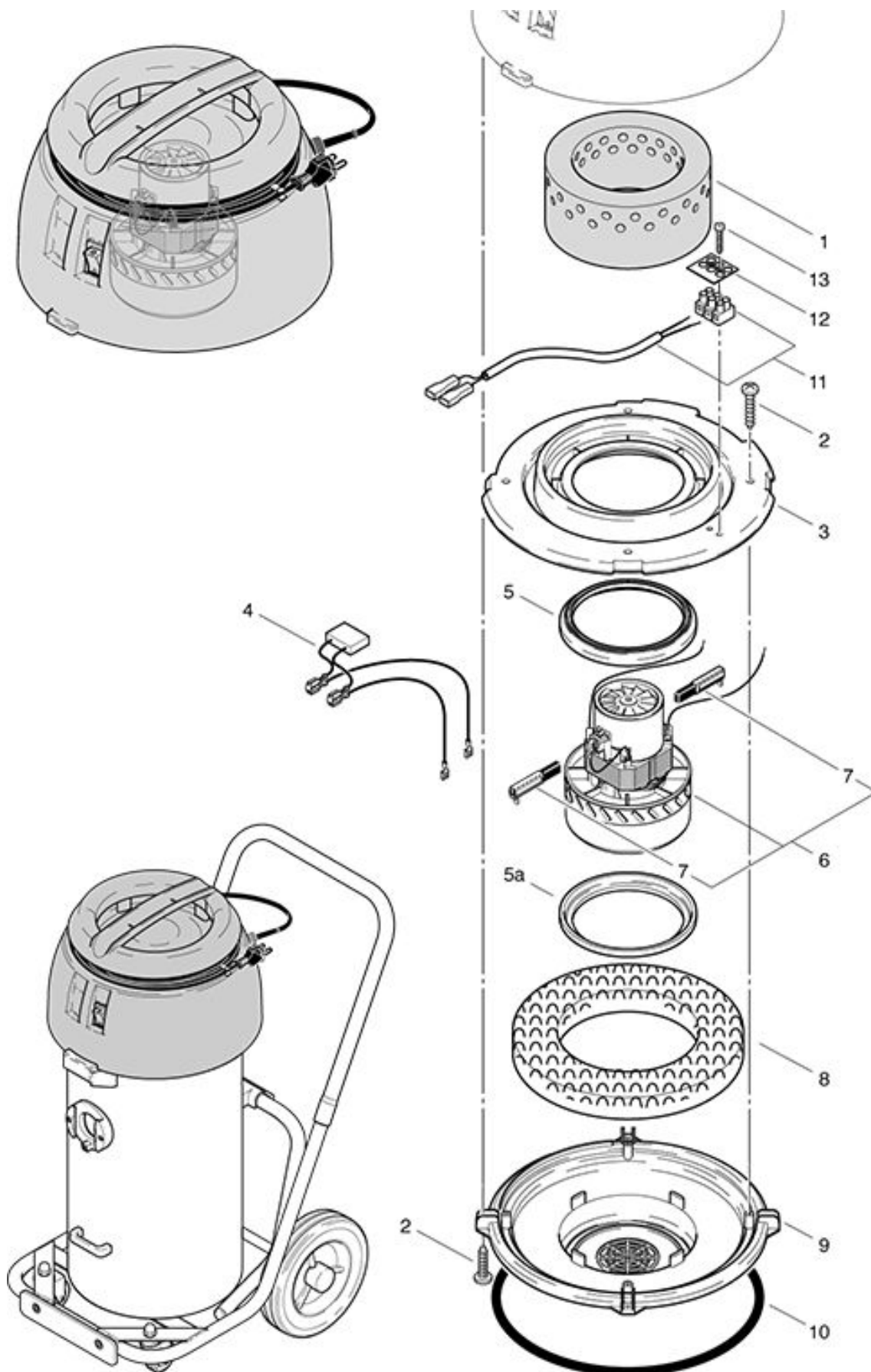


SW 25 KW
Vacuum motor

As at: 05/24/08 Time:07:55



SW 25 KW

Vacuum motor

As at: 05/24/08 Time:07:55

Pos.	Description	Reference	
01	Isolation cap	020.211	
02	PT screw KA 40x16	P...516 C	
03	Reinforcement piece	020.308	
04	Motor cable complete	022.143	
05	Profile	up to machine no. 8236	P...971 E
05.	Profile	as from machine no. 8237	022.133
05a	Profile	up to machine no. 8236	P...971 E
05a.	Profile	as from machine no. 8237	P...971 H
06	Vacuum motor	P...870 E	
07	Set of carbon brushes	P...870 KB	
08	Isolation ring	020.309	
09	Motor plate	020.303	
10	Bucket gasket	020.304	
11	Cable tree for SW20	020.307	
12	Marking plate	P...390	
13	PT screw KA 30x14	P...516 E	