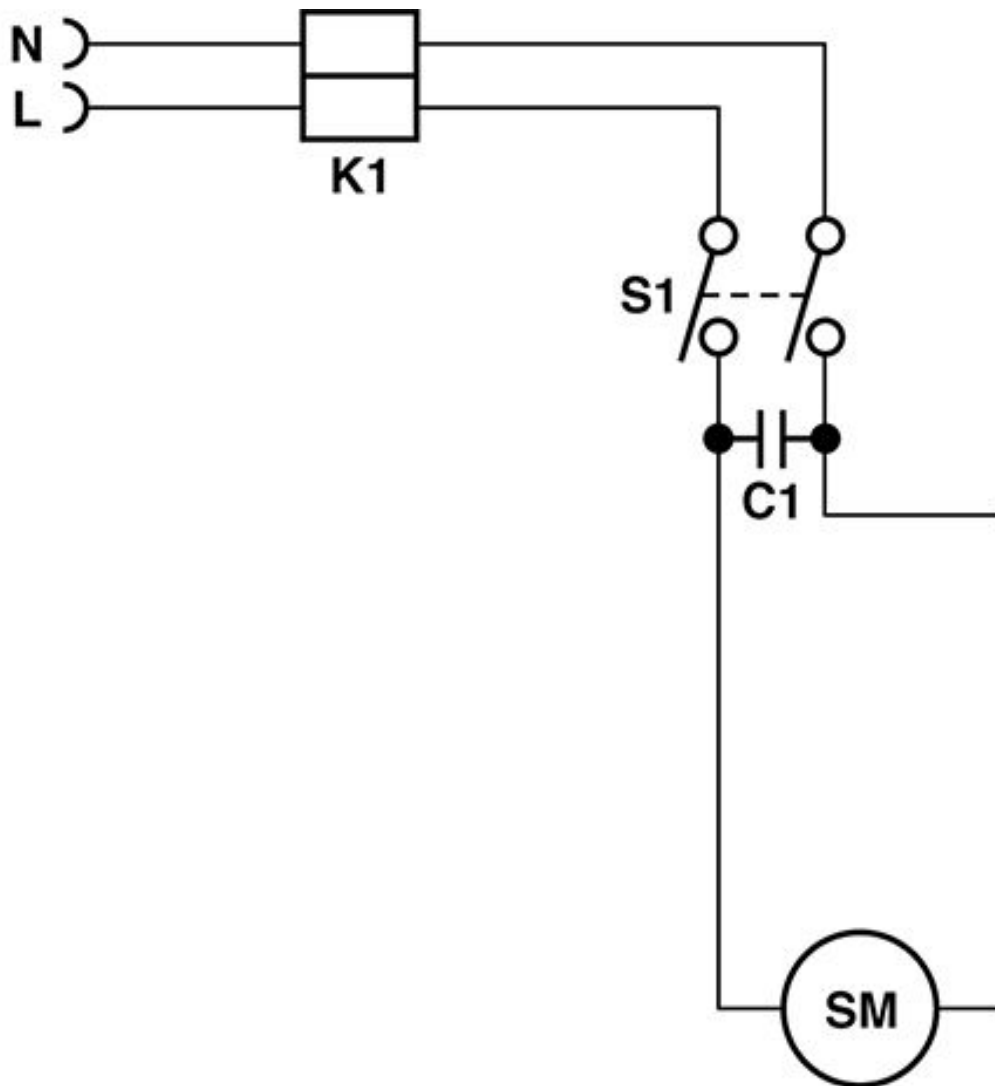


SW 25 KW
Wiring diagram

As at: 05/24/08 Time:07:56



- K1 = Reihenklemme / Serre-fil / Cable clamp
- S1 = Wippenschalter / Interrupteur / Tumbler switch
- C1 = Kondensator / Condensateur / Capacitor 0.15 F
- SM = Saugmotor / Moteur d'aspiration / Vacuum motor

SW 25 KW

Wiring diagram

As at: 05/24/08 Time:07:56

Pos.	Description	Reference
C1	Capacitor 0,15 μ F	P...393 E
K1	Cable clamp	P...383 H
S1	Tumbler switch LED	P...240
SM	Vacuum motor for	P...870 E