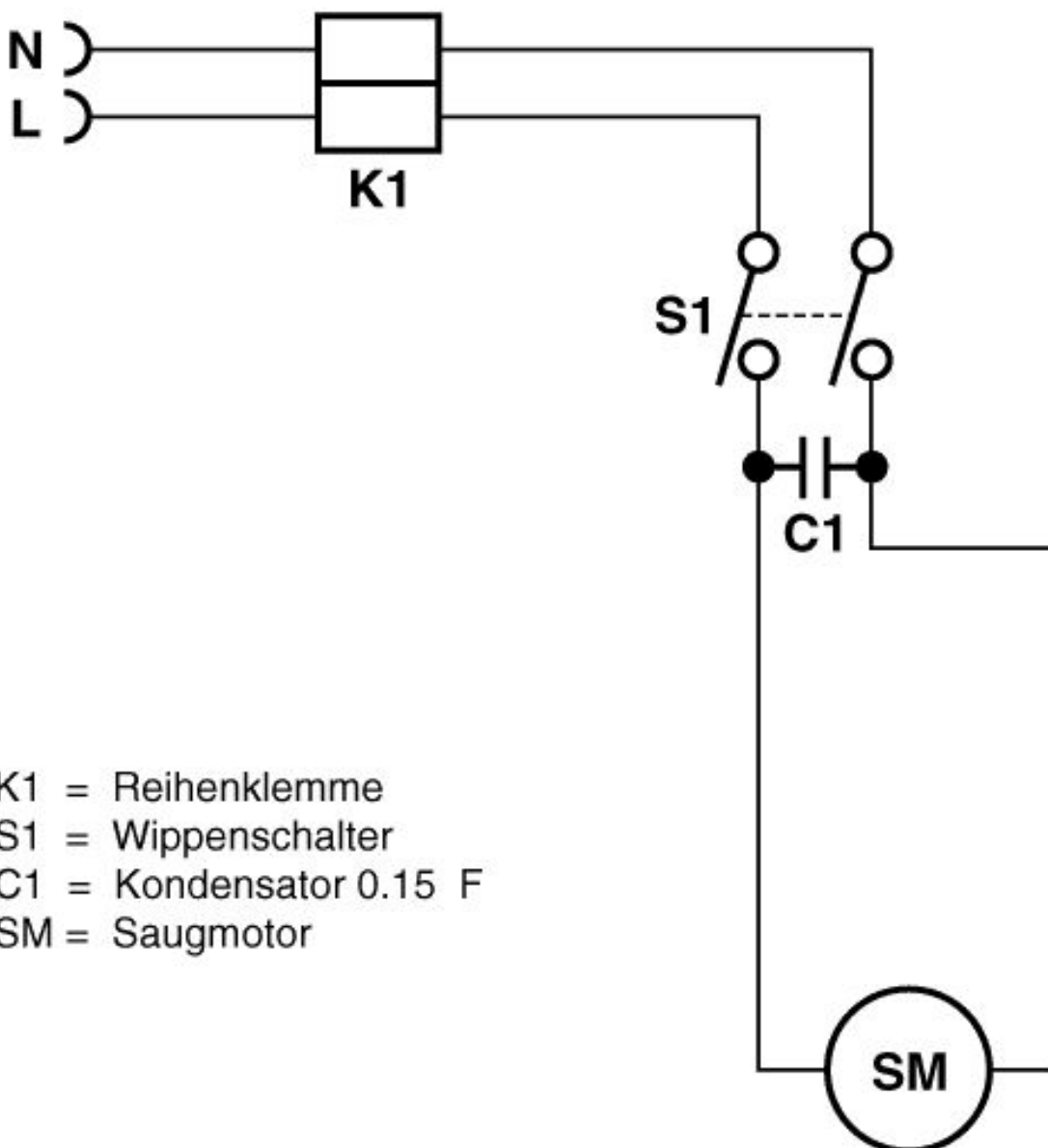


Stromlaufplan SW 50



- K1 = Reihenklemme
- S1 = Wippenschalter
- C1 = Kondensator 0.15 F
- SM = Saugmotor

SW 50 Standard Wiring plan

As at: 05/24/08 Time:08:26

Pos.	Description	Reference
C1	Capacitor 0,15 μ F	P393 E
K1	Cable clamp	P...383 A
S1	Tumbler switch	P...240
SM	Vacuum motor for SW 50	P...874