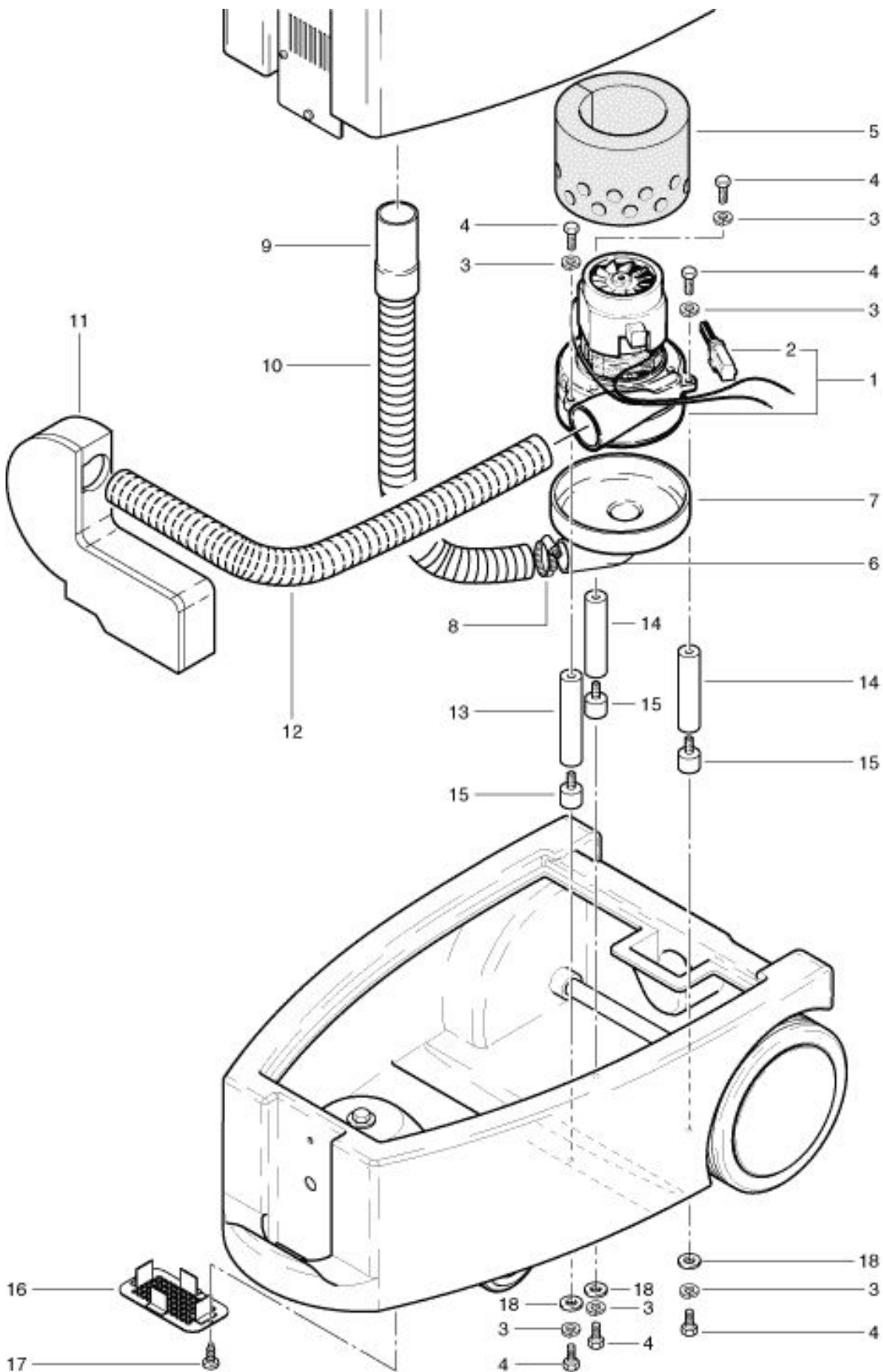


**TW 1240**  
**Vaccum motor**

As at: 05/14/08 Time:23:09



## TW 1240

### Vaccum motor

As at: 05/14/08 Time:23:09

| <b>Pos.</b> | <b>Description</b>                  | <b>Reference</b> |
|-------------|-------------------------------------|------------------|
| 01          | Vacuum motor 240 V/50-60 Hz 124.150 | 124.150          |
| 02          | Pair of carbon brushes              |                  |
| 03          | Serrated lock washer M6             | P...499D         |
| 04          | Hexagon screw M 6x12 mm             | P...470R         |
| 05          | Isolation ring                      | 530.737          |
| 07          | Connection cap                      | 124.120          |
| 08          | Hose clamp                          | P...206D         |
| 09          | Hose socket                         | 124.115          |
| 10          | Suction hose compl. 900 mm          | 124.109          |
| 11          | Noise absorbing canal               | 124.112          |
| 12          | Air discharge hose 600 mm           | 124.110          |
| 13          | Distance piece 101 mm               | 124.104          |
| 14          | Distance piece 93 mm                | 124.105          |
| 15          | Round buffer                        | 500.499          |
| 16          | Covering piece                      | 124.116          |
| 17          | PT screw KA 30x14 mm                | P...516S         |
| 18          | Washer M6                           | P...496L         |