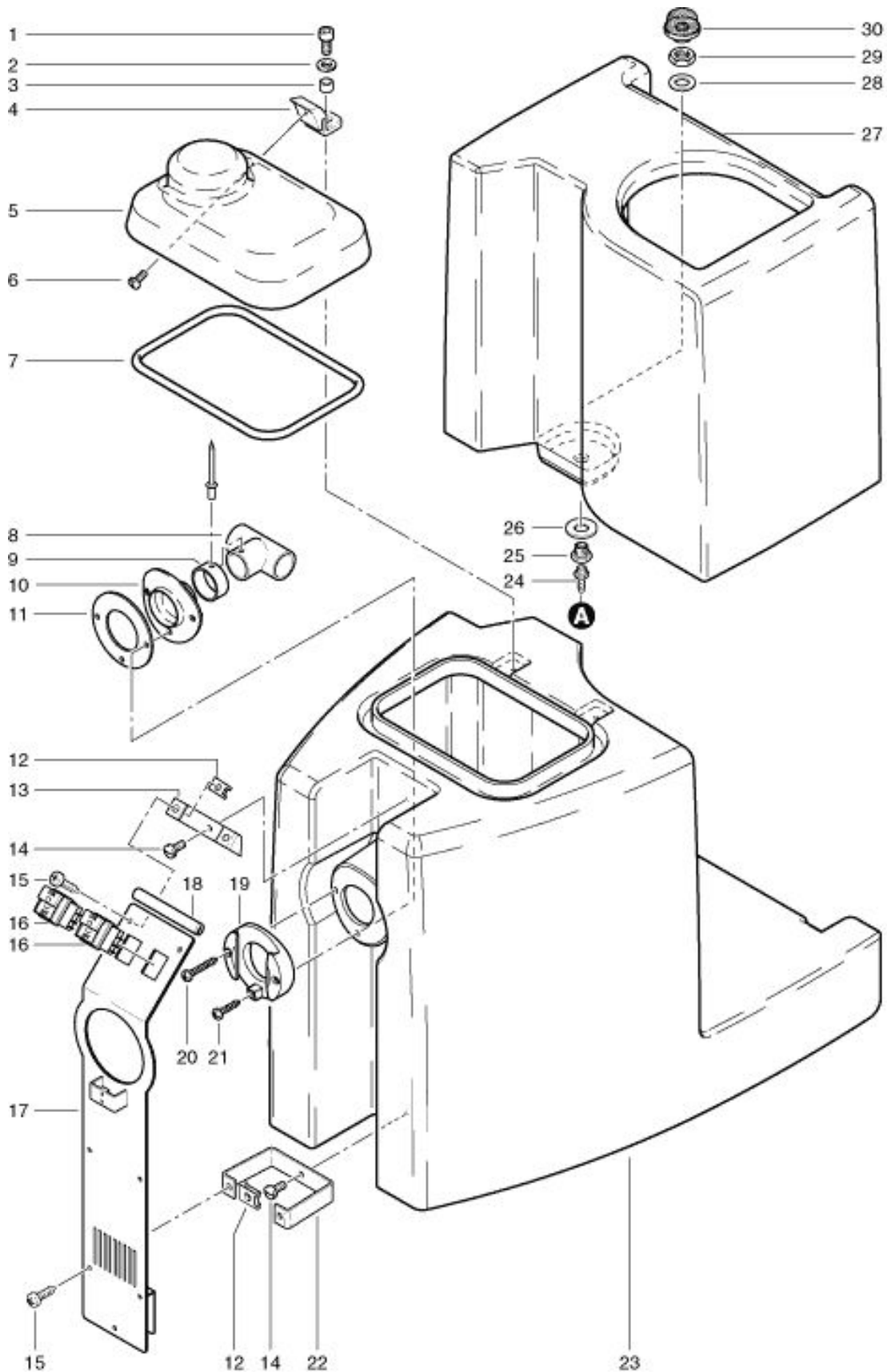


**TW 1240**  
**Waste water tank**

As at: 05/14/08 Time:23:10



## TW 1240

### Waste water tank

As at: 05/14/08 Time:23:10

<b>Pos.</b>	<b>Description</b>	<b>Reference</b>
01	Hexagon socket screw M 5x12 mm	P...488B
02	Washer M6	P...497K
03	Distance ring	430.618
04	Hinge	430.616
05	Cover	124.350A
06	Countersunk screw M 4x8 mm	P...480O
07	Seal 10x15x705 mm	124.315
08	"T"-formed piece	500.430B
09	Connecting socket	124.322
10	Deflector	3011618
11	Seal	649012512
12	C-clip 4.2x3.2 mm	P...494E
13	Upper fixation	124.311
14	Cylindrical screw M 6x12 mm	P...478F
15	Screw 4,8x19	P...482B
16	Switch 230	124.313
17	Covering plate	124.302
18	Seal for panel	P...340D
19	Hose connection	020.124
20	PT screw KA 50x35	P...515N
21	PT screw KA 50x30	P...515M
22	Panel fixation	124.312
23	Waste water tank	124.301
24	Straight nipple GES 6 R1/4"	P...540F
25	Connector 3/8" -1/4"	P...535J
26	Fixation washer 35,3x17x1.5 mm	P...098
27	Clean water tank	124.200
28	Sealing washer	P...097
29	Hexagon nut 3/8"	P...535B
30	Clean water tank	P...106