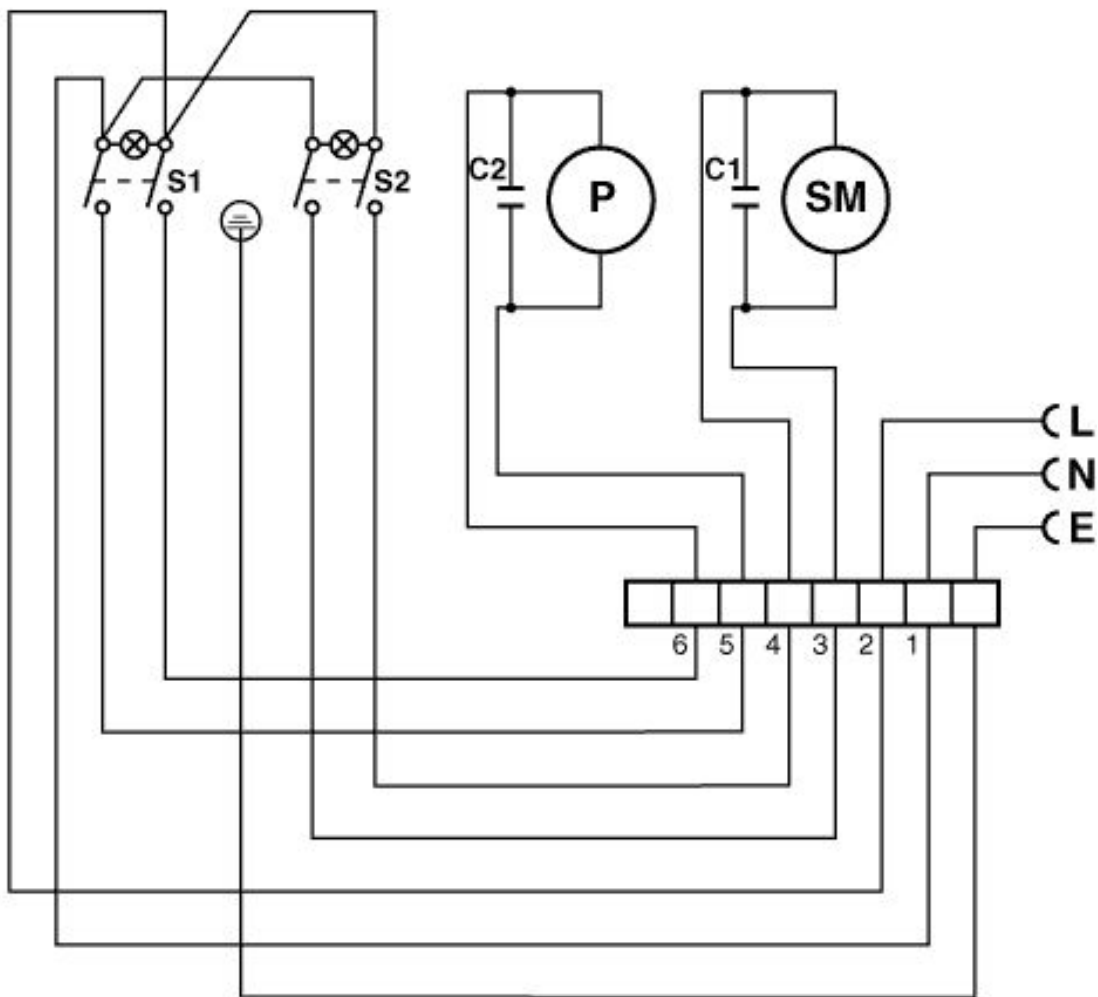


## Stromlaufplan TW 1240



- S1 = Schalter-Pumpenmotor
- S2 = Schalter-Saugmotor
- P = Pumpenmotor
- SM = Saugmotor
- C1 = Entst rkondensator
- C2 = Entst rkondensator

# TW 1240

## Wiring plan

As at: 05/14/08 Time:23:11

<b>Pos.</b>	<b>Description</b>	<b>Reference</b>
C1	Capacitor	
C2	Capacitor	
P	Membrane pump	P...821B
S1	Switch for pump	124.302
S2	Tumbler switch for vacuum motor	124.302
SM	Suction motor	124.150