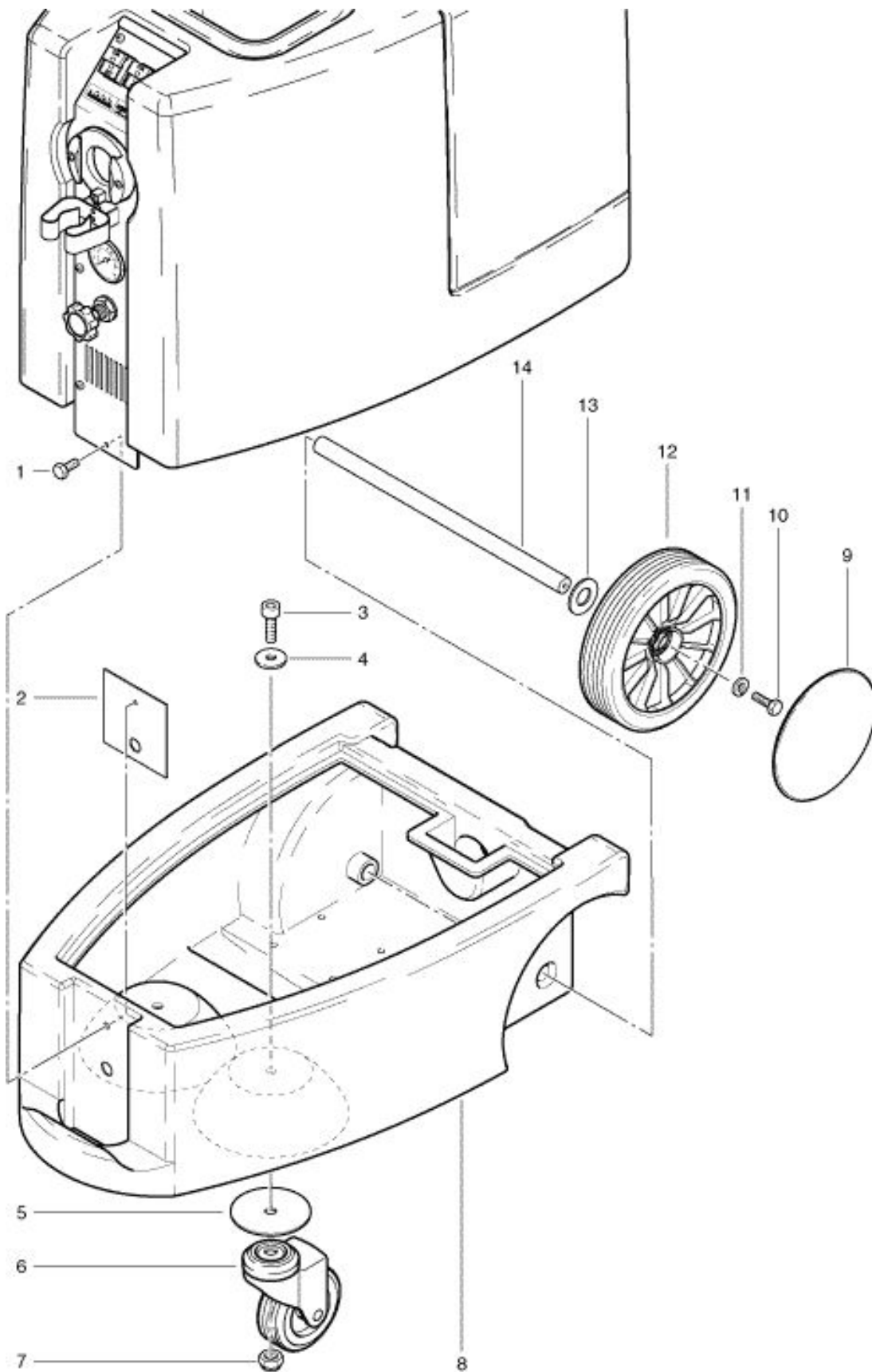


TW 1250
Chassis

As at: 05/16/08 Time:22:01



TW 1250

Chassis

As at: 05/16/08 Time:22:01

Pos.	Description	Reference
01	Hexagon screw M 6x20	P...472T
02	Closing plate	124.111
03	Hexagon socket screw M 10x45 mm	P...487N
04	Washer M10	P...496S
05	Reinforcing washer	124.103
06	Castor	530.225
07	Security nut M10	P...492Q
08	Chassis	125.101
09	Wheel cover	530.242
10	Hexagon screw M 6x12 mm	P...470R
11	Washer dm 6/25x1.8	P...497Y
12	Wheel complete	411.240
13	Distance washer	P...499WW
14	Wheel axle	124.102