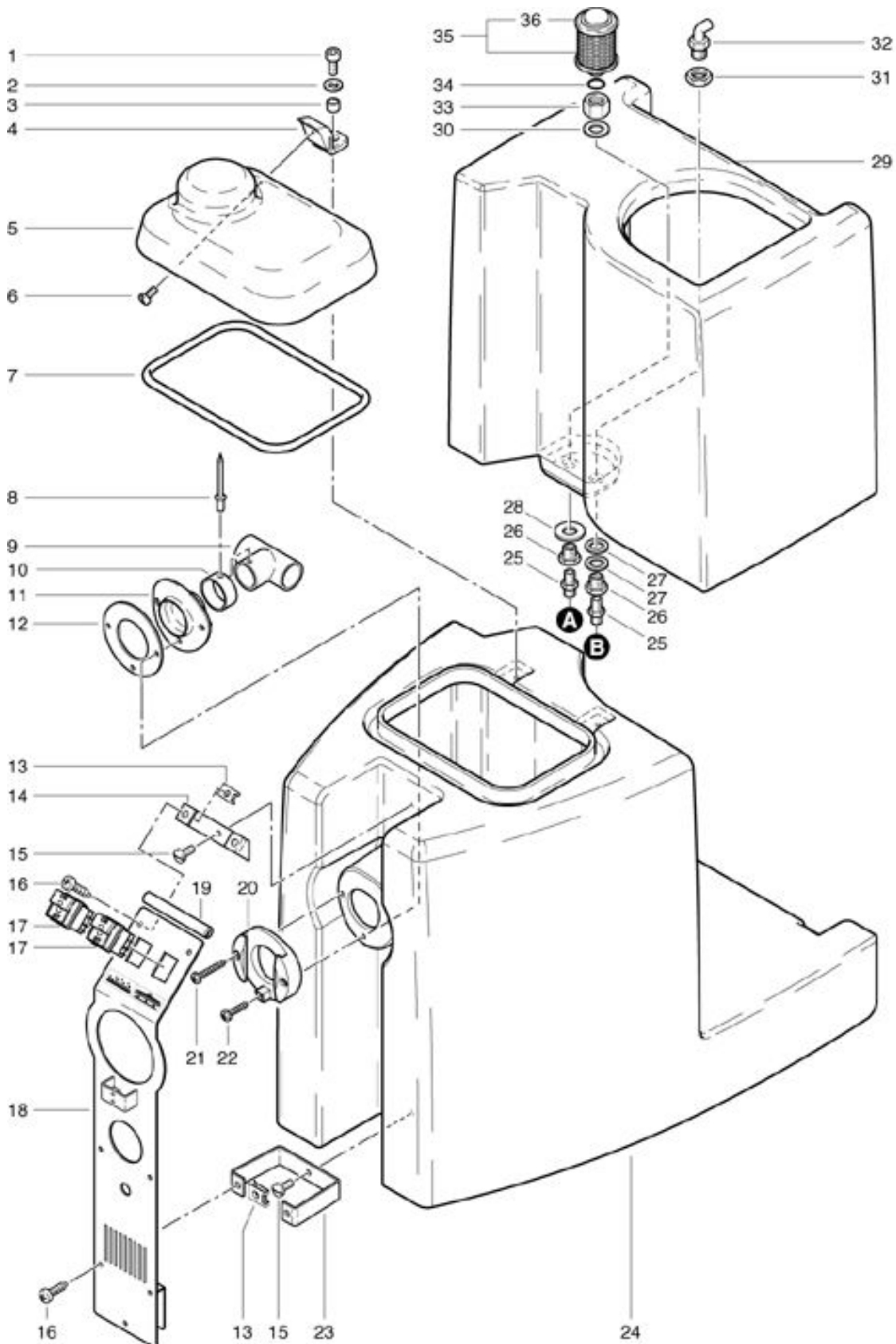


# TW 1250

## Waste water tank and clean water tank

As at: 05/16/08 Time:22:05



Schmutz- und Frischwassertank / Recipient d'eau sale et  
Recipient d'eau propre / Waste water tank and Clean water tank

TW 1250

B 1-11.2006

## TW 1250

### Waste water tank and clean water tank

As at: 05/16/08 Time:22:05

<b>Pos.</b>	<b>Description</b>	<b>Reference</b>
01	Hexagon socket screw M 5x12	P...488 B
02	Washer M6	P...497 K
03	Distance ring	430.618
04	Hinge	430.616
05	Cover	124.350 A
06	Countersunk screw M 4x8	P...480 O
07	Seal 10x15x705 mm	124.315
08	Rivet	P...485 I
09	"T"-formed piece	500.430 B
10	Connecting socket	124.322
11	Deflector	3011618
12	Seal	649012512
13	C-clip 4.2x3.2	P...494 E
14	Upper fixation	124.311
15	Cylindrical screw M 6x1	P...478 F
16	Screw 4,8x19 sw	P...482 B
17	Switch 230 V	124.313
18	Covering plate	125.104
19	Seal for panel	124.323
20	Hose connection	020.124
21	PT screw KA 50x35 sw	P...515 N
22	PT screw KA 50x30 sw	P...515 M
23	Panel fixation	124.312
24	Waste water tank	124.301
25	Double nipple G 1/4"-1/2"	P...520 C
26	Connector 3/8" - 1/4"	P...535 A
27	Washer dm 24x15x1,2	P...496 X
28	Washer dm 35,3x17x1,5	P...510 N
29	Clean water tank	125.201
30	Sealing washer	P...097
31	Hexagon nut 3/8"	P...535 B
32	Discharge angle	P...541 R
33	Hexagon screw G 3/8"	P...535 D
34	O-ring Ø 15x2 mm	P...960 M
35	Fresh water filter	P...103
36		P...499 L