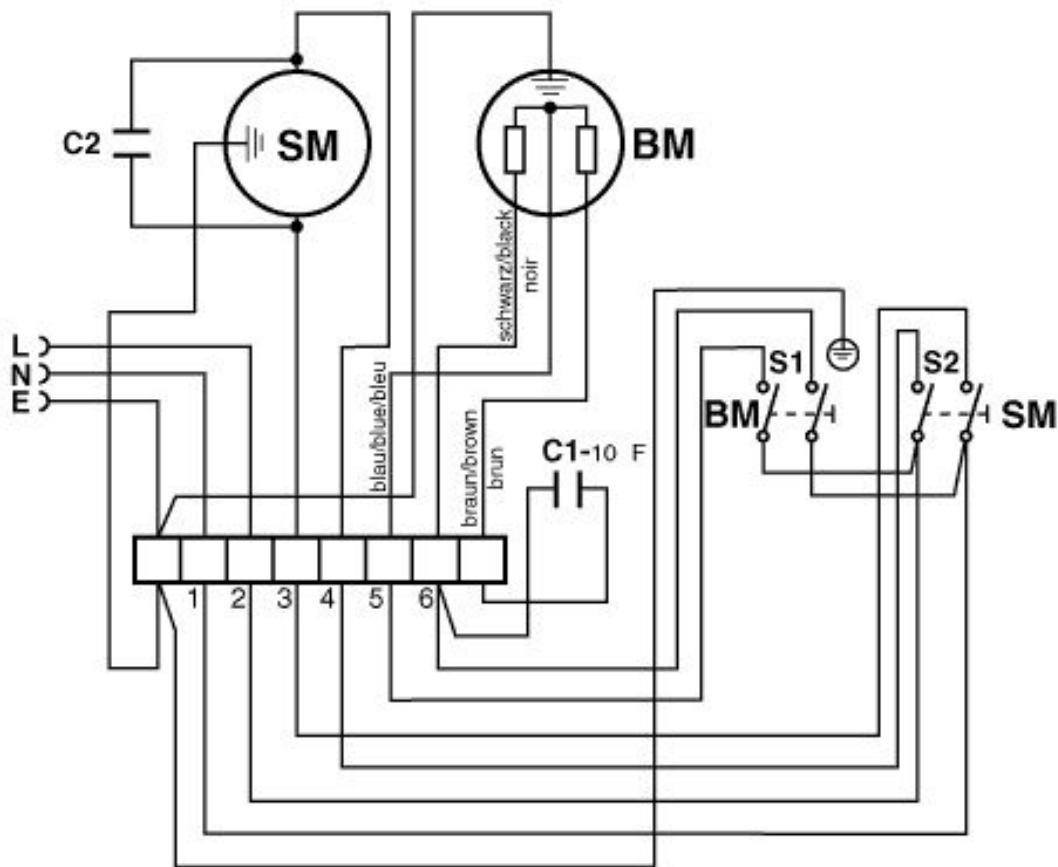


## Stromlaufplan TW 1250



- S1 = Schalter-B rstmotor
- S2 = Schalter-Saugmotor
- SM = Saugmotor
- BM = B rstmotor
- C1 = Entst rkondensator (10 F)
- C2 = Entst rkondensator

# TW 1250

## Wiring plan

As at: 05/16/08 Time:22:05

<b>Pos.</b>	<b>Description</b>	<b>Reference</b>
C1	Capacitor 10uF	P...385O
C2	Capacitor	
P	Membrane pump	P...821B
S1	Switch for pump	124.313
S2	Tumbler switch for vacuum motor	124.313
SM	Suction motor	124.150