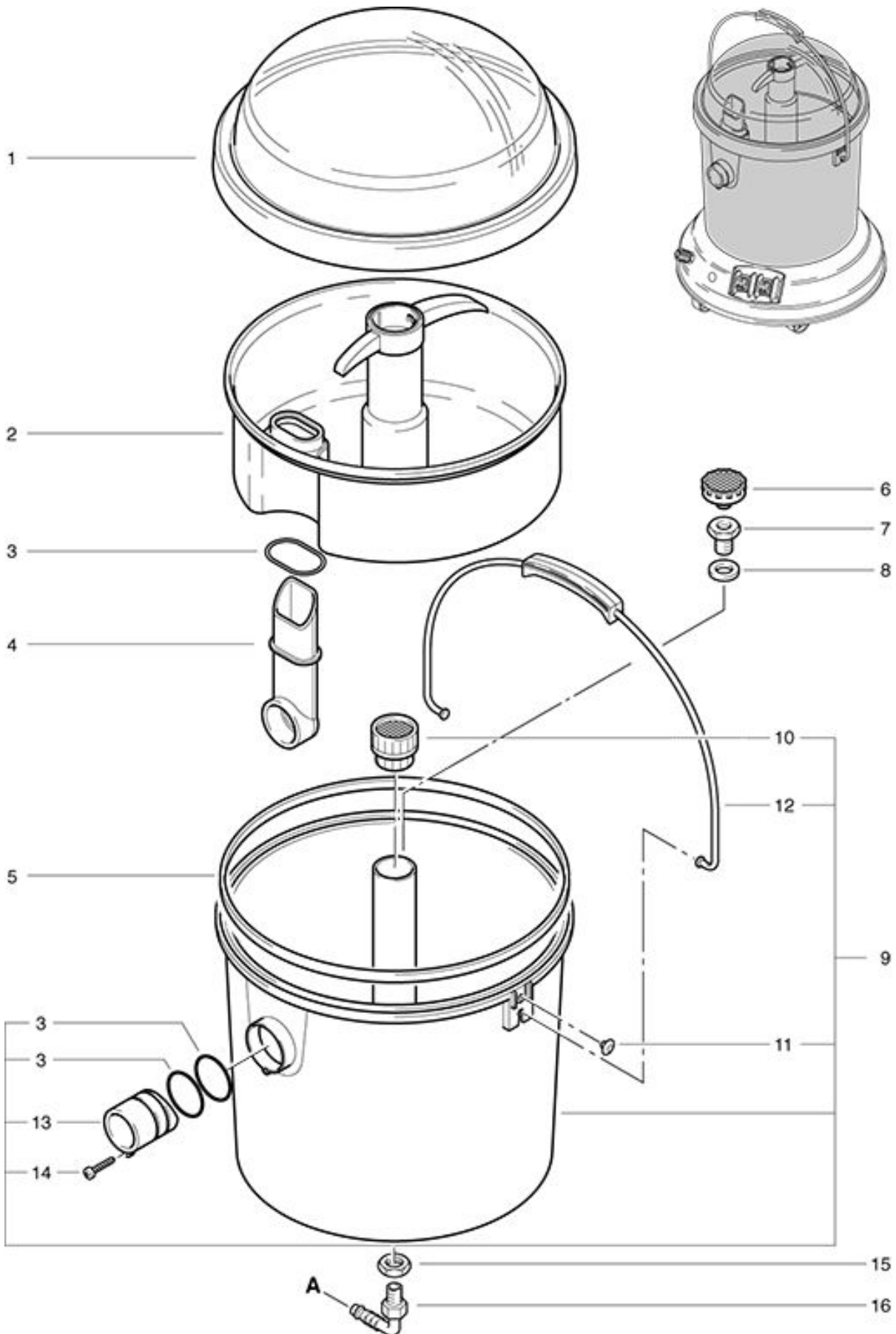


TW 300 S
Tank

As at: 05/12/08 Time:20:23



TW 300 S

Tank

As at: 05/12/08 Time:20:23

Pos.	Description	Reference
01	Cap	P...008
02	Recovery Tank	030.007
03	O-Ring dm 35x3 mm	P...024
04	Inlet Pipe	P...025
05	Tightness cord 320x7,5x4,8 mm	P...052
06	Water filter	P...106
07	Reducer 3/8" - 1/4"	P...535 A
08	Gasket 30/17x2 mm	P...097
09	Complete tank including Items 10-12	030.001 A
10	Air filter	P...071
11	Clamping button	P...070 D
12	Handle	P...009
13	Hose connector	P...026
14	Screw 3,5x15 mm	P...482 G
15	Hexagon nut 3/8"	P...535 B
16	Angled hose nipple 8-1/4"	P...541 H