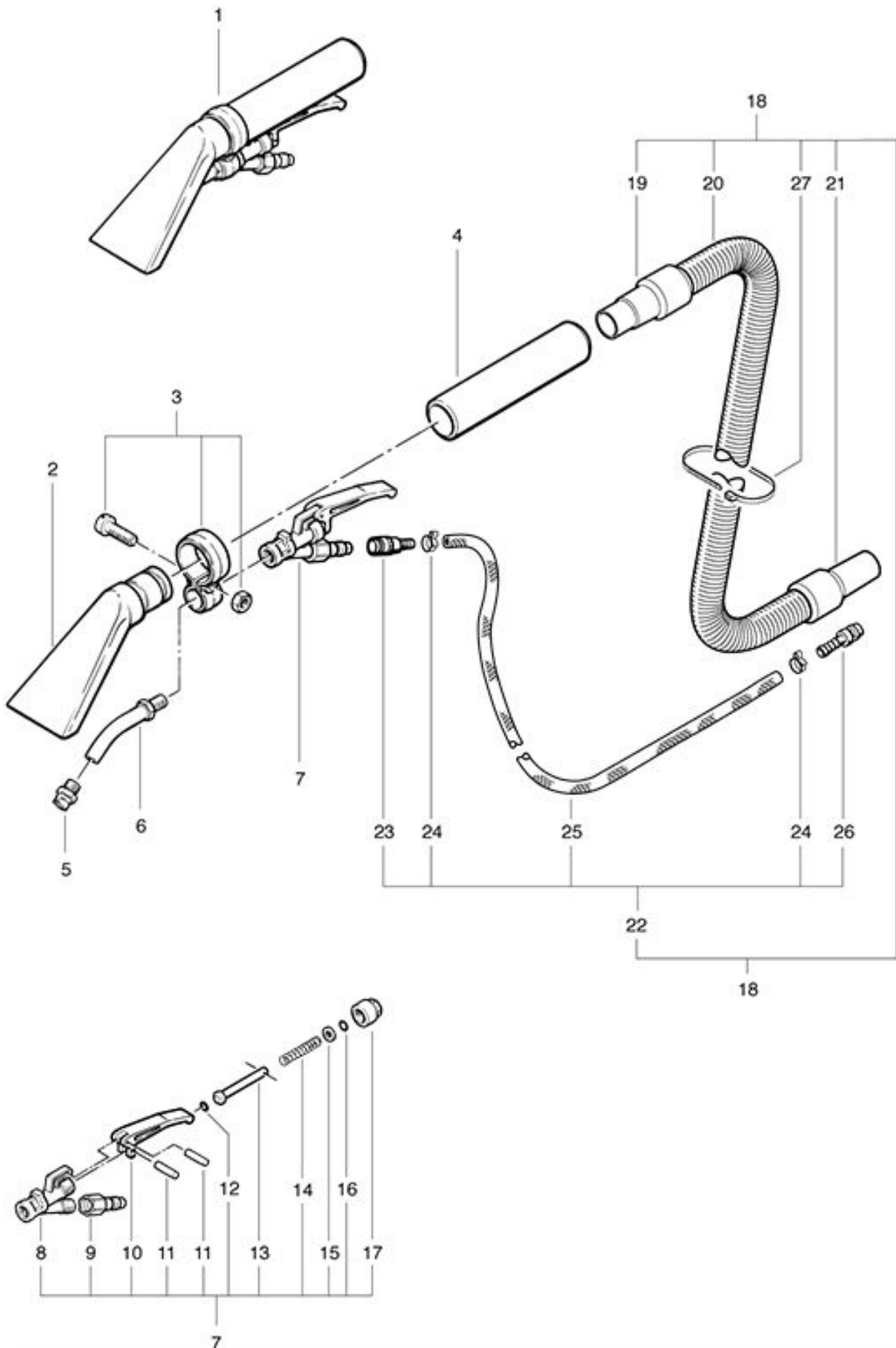


TW 300 S
Upholstery tool

As at: 05/12/08 Time:20:23



TW 300 S

Upholstery tool

As at: 05/12/08 Time:20:23

Pos.	Description	Reference
01	Upholstery tool	617.000
02	Nozzle housing 8 cm	617.623 A
03	Guide bride	P...683
04	Pipe dm 33 mm	617.624
05	Jet nozzle 11004	P...627
06	Pipe bend	617.625
07	Spraying valve with fitting including Items 8-17	P...680
08	Valve body	P...680 A
09	Tapped nipple 1/4"	P...501 B
10	Lever	P...681 C
11	Cyl. Pin Ø 1,5x14,5 mm	P...681 K
12	O-ring Ø 5,23 mm	P...681 F
13	Valve pin	P...681 D
14	Valve spring	P...681 E
15	Washer M 5	P...497 G
16	O-ring Ø 5 mm	P...681 G
17	Cap nut	P...681 B
18	Spray and suction hose cpl. including Items 19-27	035.561
19	Hose end connector 32 mm	P...575
20	Suction hose with fixation ring	P...562 A
21	Hose end connector 35 mm	P...576
22	Pressure hose complete including Items 23-26	041.701
23	Female quick connector	900.165
24	Clamp 14,8 mm	P...550 I
25	Pressure hose Ø 6/12x3200 mm	P...566 E
26	Male quick connector	P...501d
27	Cable tie	P...609