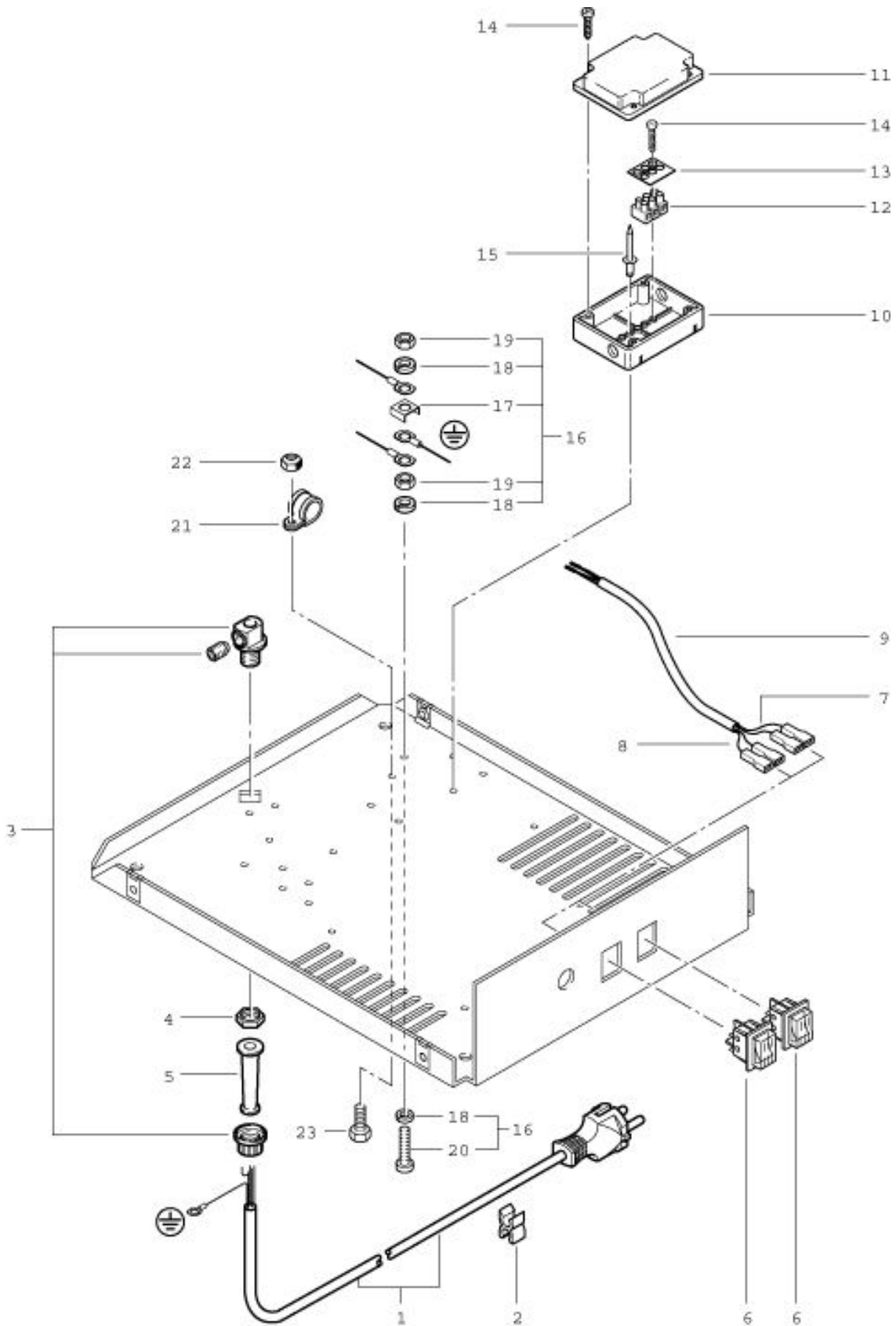


**TW 350 S**  
**Electrical card**

As at: 05/12/08 Time:20:45



# TW 350 S

## Electrical card

As at: 05/12/08 Time:20:45

<b>Pos.</b>	<b>Description</b>	<b>Reference</b>
01	Electrical connection EURO	P...276
01	Electrical connection GB	P..288B
01	Electrical connection SEV	P..275
02	Cable clamp	P...278
03	Fixation for cable	P...279
04	Counter nut PG9	P...279H
05	Cable protection	P...280
06	Switch with protection	P...240
07	Cable blue 2x600 mm	P...369
08	Cable brown 2x600 mm	P...370
09	Hose NW9	P...371
10	Distribution box bottom	P...379
11	Distribution box cover	P...379A
12	Connection block 3-ways	P...383A
13	Marking plate	P...394
14	Cyl. tapped screw KA 30x14 mm	P...516S
15	Rivets dm 3x10 mm	P...485J
16	Earthing complete, including: Items 17-20	P...388
17	Clamp bow	P...388B
18	Spring washer M4	P...498A
19	Hexagon nut M4	P...491Q
20	Screw M 4x20 mm	P...478L
21	Fixing clamp	P...281
22	Hexagon nut M5	P...492G
23	Hexagon screw M 5x12 mm	P...470H