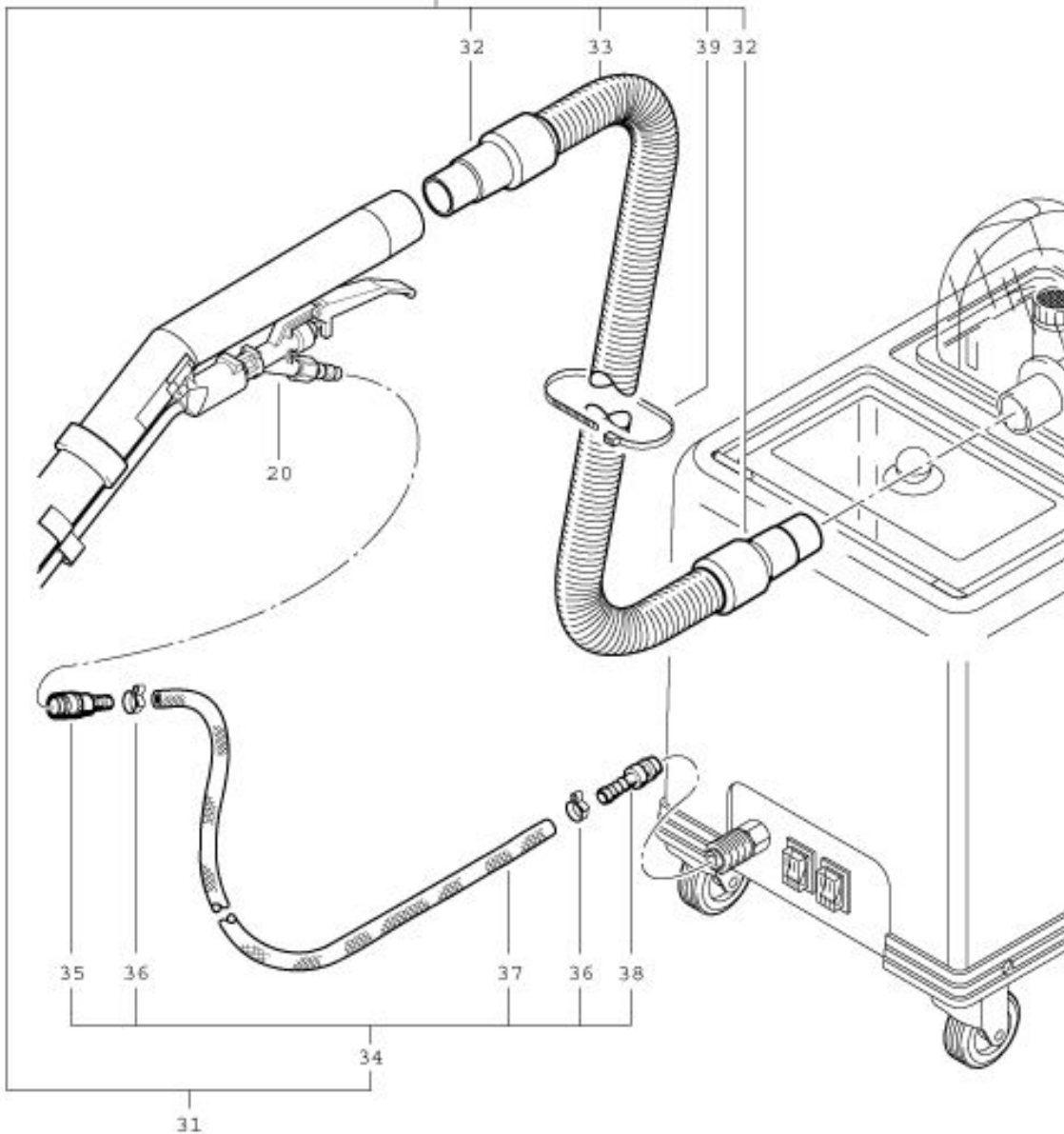
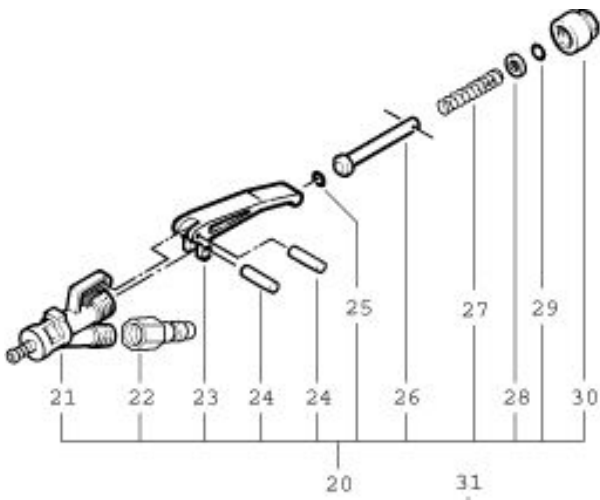


TW 350 S
Spray and suction hose

As at: 05/12/08 Time:20:49



TW 350 S

Spray and suction hose

As at: 05/12/08 Time:20:49

Pos.	Description	Reference
20	Spraying valve with fitting including Items 20-29	P...681
21	Valve body	P...681A
22	Tapped nipple 1/4« «	P...501B
23	Lever	P...681C
24	Cyl. Pin dm 1,5x14,5 mm	P...681K
25	O-ring dm 5,23 mm	P...681F
26	Valve pin	P...681D
27	Valve spring	P...681E
28	Washer M5	P...497G
29	O-ring dm 5 mm	P...681G
30	Cap nut	P...681B
31	Suction hose complete, including Items 31-33	035.561Y
32	Hose end connector 32 mm	P...575
33	Suction hose with fixation ring	P...562A
34	Pressure hose complete including Items 35-38	041.701
35	Female quick connector	900.165
36	Clamp 13,5 mm	P...550 I
37	Pressure hose Ø 6/12x3200 mm	P...566 E
38	Male quick connector	P...501C
39	Cable tie	P...609