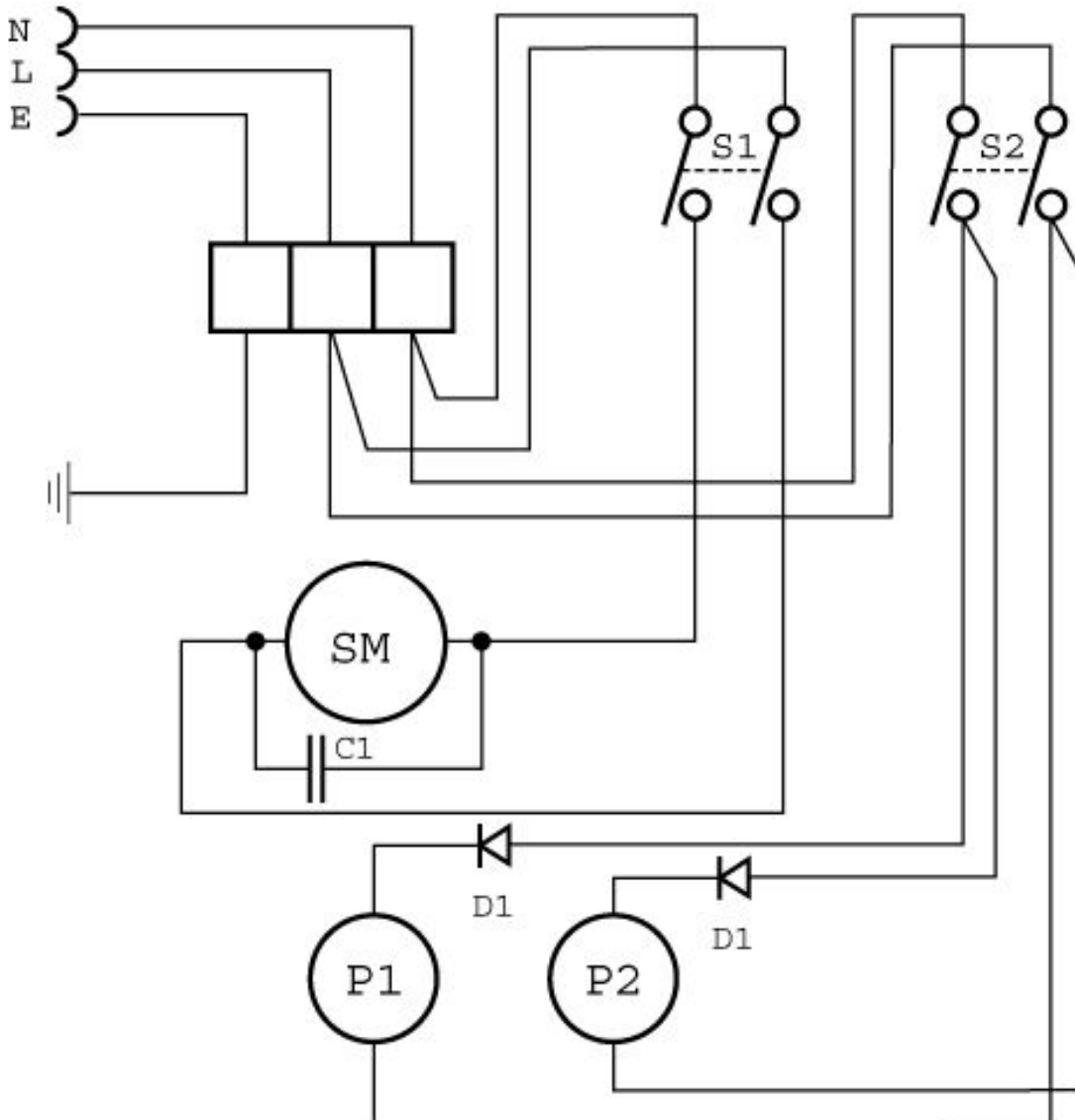


Stromlaufplan TW 350 S



S1 = Schalter-Saugmotor / Interrupteur pour moteur d'aspiration / Main switch for vacuum motor

S2 = Schalter-Pumpen / Interrupteur pour pompe / Main switch for pumps

C1 = Entstörkondensator / Condensateur / Capacitor

D1 = Diode

P1 = Pumpe / Pompe / Pump

P2 = Pumpe / Pompe / Pump

SM = Saugmotor / Moteur d'aspiration / Suction motor

TW 350 S

Wiring plan

As at: 05/12/08 Time:20:52

Pos.	Description	Reference
C1	Capacitor	P...387 C
D1	Diode	
P1	Vacuum motor NDS-X	P...809
P2	Vacuum motor NDS-X	P...809
S1	Tumbler switch for vacuum motor	P...240
S2	Switch for pump	P...240
SM	Vacuum motor	P...870B