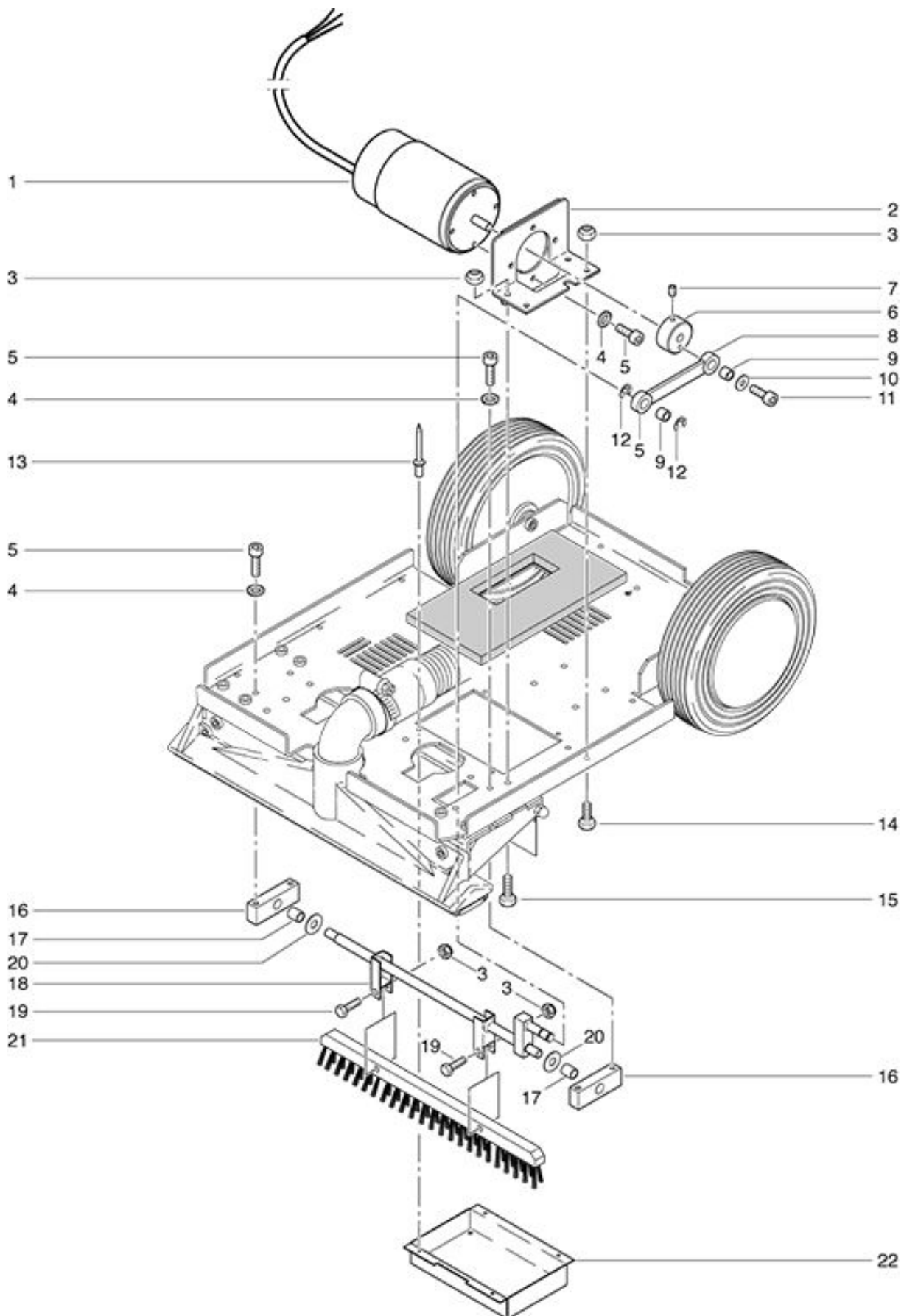


TW 383
Drive-brush

As at: 05/12/08 Time:21:31



TW 383

Drive-brush

As at: 05/12/08 Time:21:31

Pos.	Description	Reference
01	Brush engine	383.122 A
02	Engine support	383.124
03	Stop nut M 5	P...492 G
04	Serrated lock washer M 5	P...498 D
05	Hexagon socket screw M 5x16	P...486 I
06	Excenter	383.176
07	Grubscrew M 5x8	P...482 X
08	Stroke lever	383.163
09	Permaglide can 8x9,5 mm	500.116
10	Washer M 5	P...497 V
11	Hexagon socket screw M 5x16	P...486 I
12	Lock washer 9	P...499 N
13	Rivet Alfo 3x10	P...485 J
14	Hexagon screw M 5x12	P...470 H
15	Hexagon socket screw M 5x16	P...486 I
16	Stocks block	383.138
17	Permaglide can	383.140
18	Brush receiver	383.146
19	Hexagon screw M 5x20	P...472 I
20	Distance ring 8x20x0,5	P...500 I
21	Brush	383.471
22	Engine cover	383.153