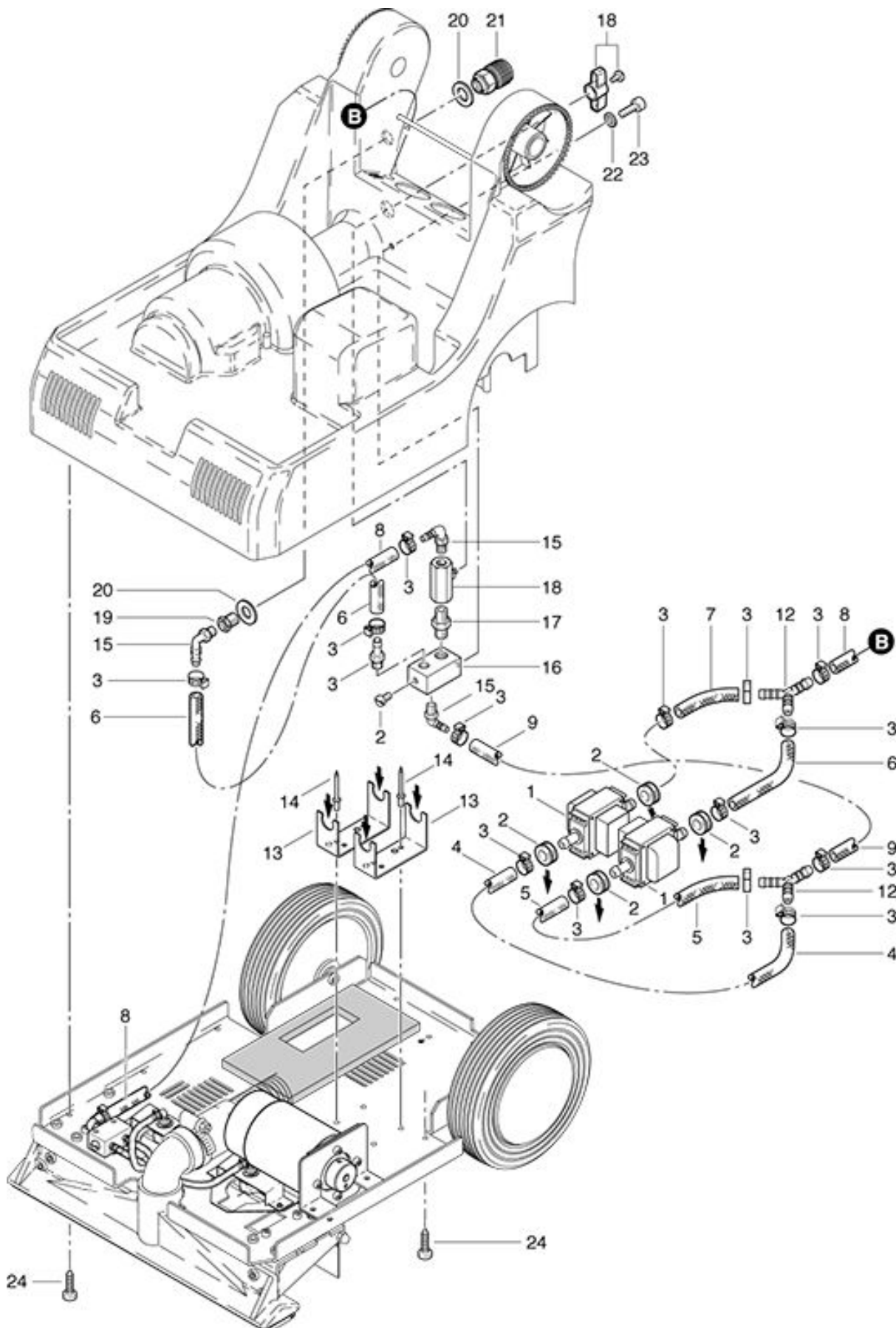


**TW 383**  
**Pump assembling**

As at: 05/12/08 Time:21:55



## TW 383

### Pump assembling

As at: 05/12/08 Time:21:55

<b>Pos.</b>	<b>Description</b>	<b>Reference</b>
01	NDS-X-pump 220-240V/50Hz	380.809
02	Grommet Ø 14 mm	P...207 A
03	Hose clamp 13.3	P...550 I
04	Suction hose 6/12x310 mm	383.032
05	Suction hose 6/12x270 mm	383.033
06	Pressure hose	380.038
07	Suction hose 6/12x90 mm	383.037
08	Suction hose 6/12x600 mm	383.031
09	Suction hose 6/12x230 mm	383.035
12	Y-piece of 6 mm	P...542 D
13	Pump holder	P...207 B
14	Blind rivets 5x8	P...485 F
15	Angled connector	P...541 R
16	Distribution block	380.036
17	Double nipple 1/4"	P...520 C
18	Ball valve cpl.	P...508 B
19	Reducer	P...521 E
20	Washer M 12	P...496 A
21	Coupling	380.045
22	Serrated lock washer M 5	P...498 D
23	Hexagon socket screw M 5x12	P...475 K
24	PT-screw KA 40x16	P...516 C