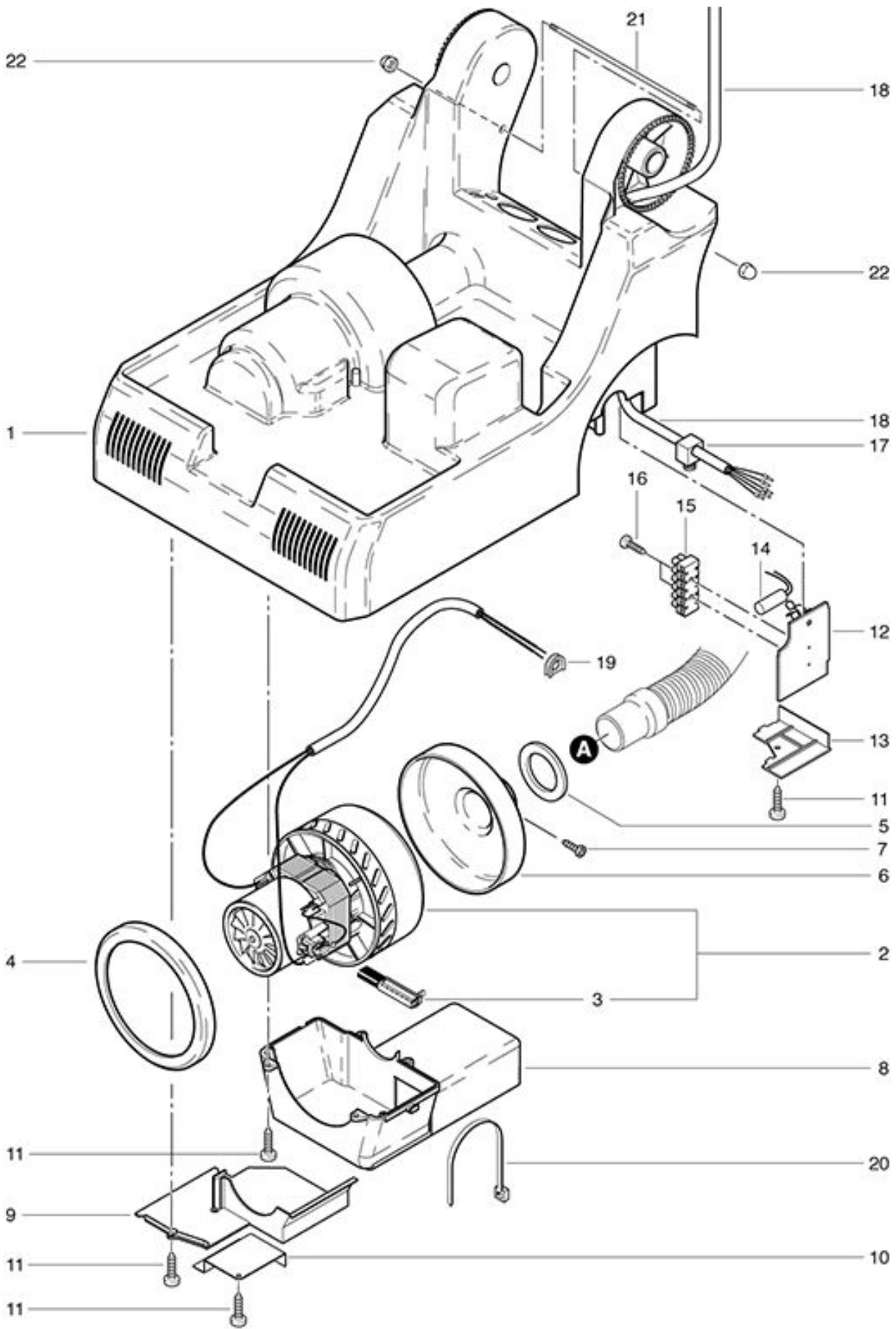


TW 383
Suction motor

As at: 05/12/08 Time:21:56



TW 383

Suction motor

As at: 05/12/08 Time:21:56

Pos.	Description	Reference
01	Chassis cover	383.010
02	Suction motor 240V 1000W	P...870 E
03	Pair of Charbon brushes	P...870 X
04	Motor sealing ring	P...971 C
05	Sealing ring	P...206 B
06	Hose connection cap	380.021
07	Screw 2.9x9.5	P...483 H
08	Motor cover	380.017
09	Air canal cover	383.118
10	Cover plate	383.141
11	PT-screw KA 40x16	P...516 C
12	Plate for éléctrical terminals	380.047
13	Cover for éléctrical terminals	380.048
14	Capacitor 0.2uF	P...387 A
15	Eléctrical terminal (6)	P...383 C
16	PT-screw KA30x14	P...516 S
17	Cable tightener	380.251
18	Cable	300.315
19	Rubber clamp	P...014 A
20	Hose clamp	P...609
21	Suspension rod	383.148
22	Stop nut M 6	P...493 K