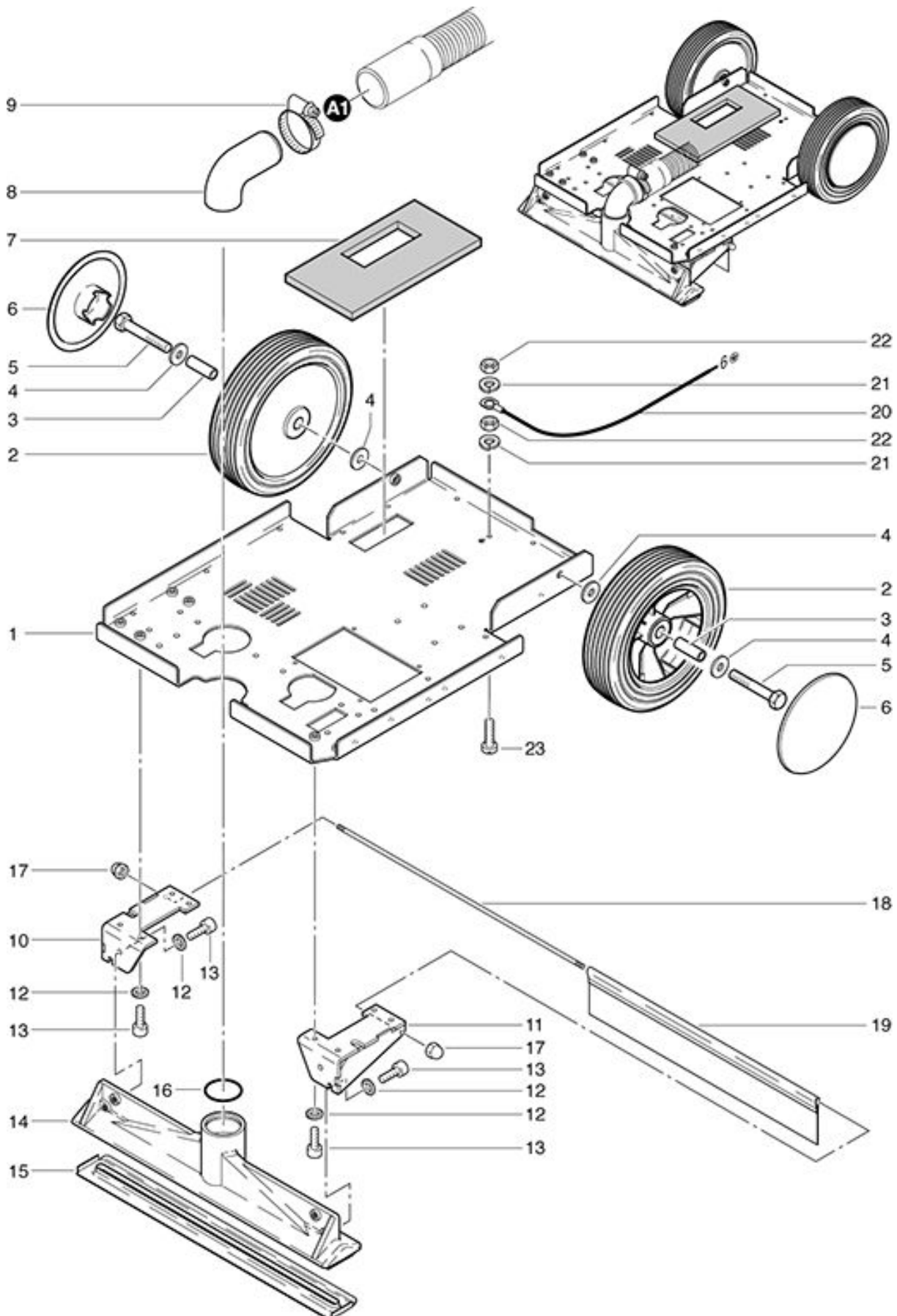


TW 383
Wheel-Front suction nozzle

As at: 05/12/08 Time:21:59



TW 383

Wheel-Front suction nozzle

As at: 05/12/08 Time:21:59

Pos.	Description	Reference
01	Bottom plate	383.111
02	Wheel	380.135
03	Distance piece	380.137
04	Washer M 8	P...496 Q
05	Hexagon screw M 8x55	P...471 K
06	Wheel cover	300.242
07	Isolation	300.065
08	Bent tube	380.159
09	C-clamp 32-50 mm	P...206 D
10	Suction nozzle support on the right	383.165
11	Suction nozzle support on the left	383.164
12	Serrated lock washer	P...498 D
13	Hexagon socket screw M 5x16	P...486 I
14	Front suction nozzle	380.155
15	Sliding sheet metal	380.513
16	O-ring 37,72x2,62	P...962 I
17	Stop nut M 5	P...492 G
18	Suspension rod long	383.149
19	Spraying protection	383.159
20	Earth cable	
21	Spring ring M 4	P...498 A
22	Hexagon nut M 4	P...491 Q
23	Pan head screw M 4x12	P...476 L