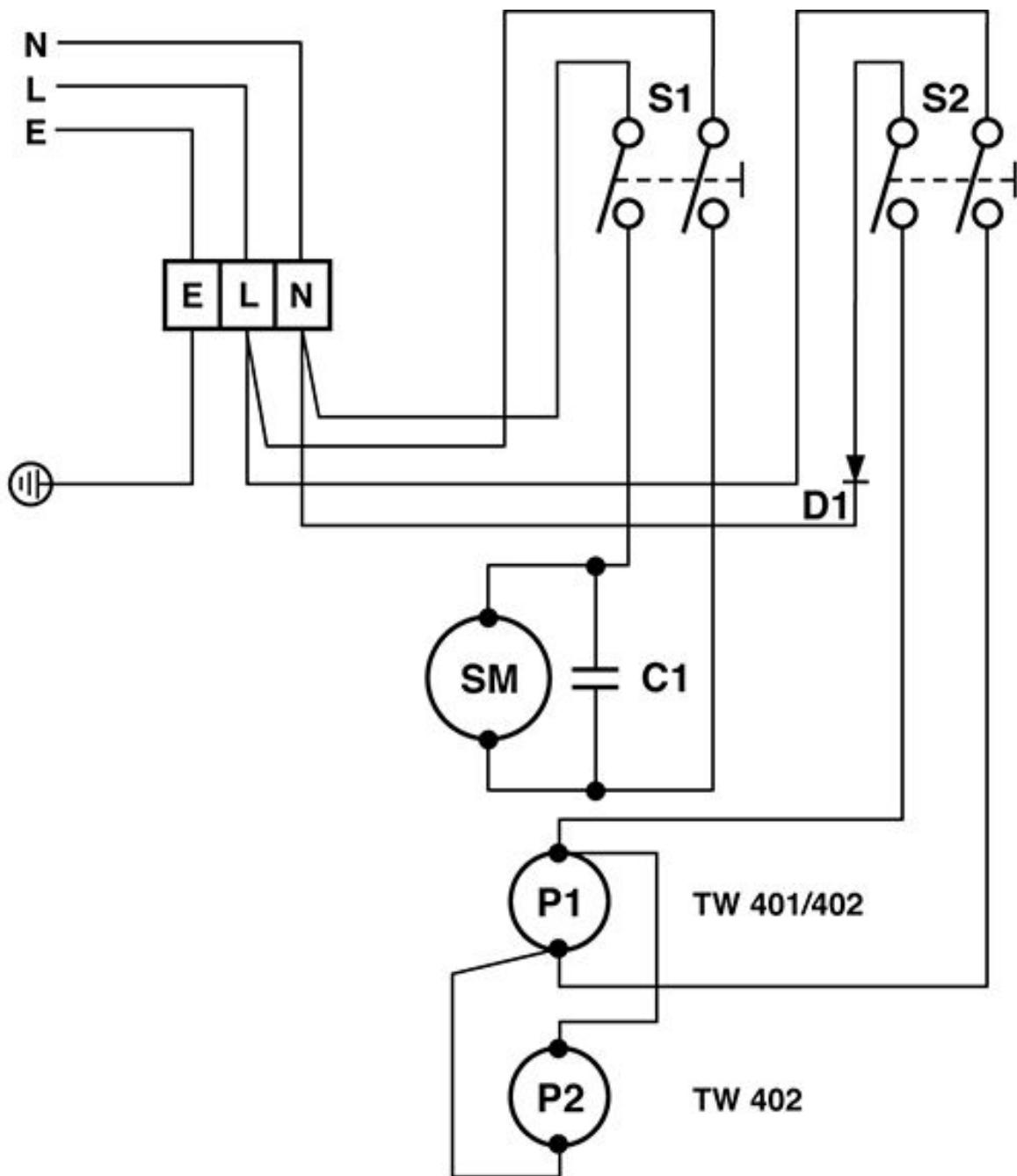


TW 401
Wiring diagram

As at: 05/13/08 Time:19:25



- S1 = Schalter-Saugmotor / Interrupteur pour moteur d'aspiration / Main switch for vacuum motor
- S2 = Schalter-Pumpenmotor / Interrupteur pour pompe / Main switch
- C1 = Entstörkondensator / Condensateur / Capacitor
- D1 = Diode
- P1 = Pumpe / Pompe / Pump
- P2 = Pumpe / Pompe / Pump
- SM = Saugmotor / Moteur d'aspiration / Suction motor

TW 401

Wiring diagram

As at: 05/13/08 Time:19:25

Pos.	Description	Reference
C1	Capacitor	
D1	Diode	
P1	Pump	041.901
P2	Pump	041.901
S1	Tumbler switch for vacuum motor	124.313
S2	Switch for pump	124.313
SM	Suction motor	420.210