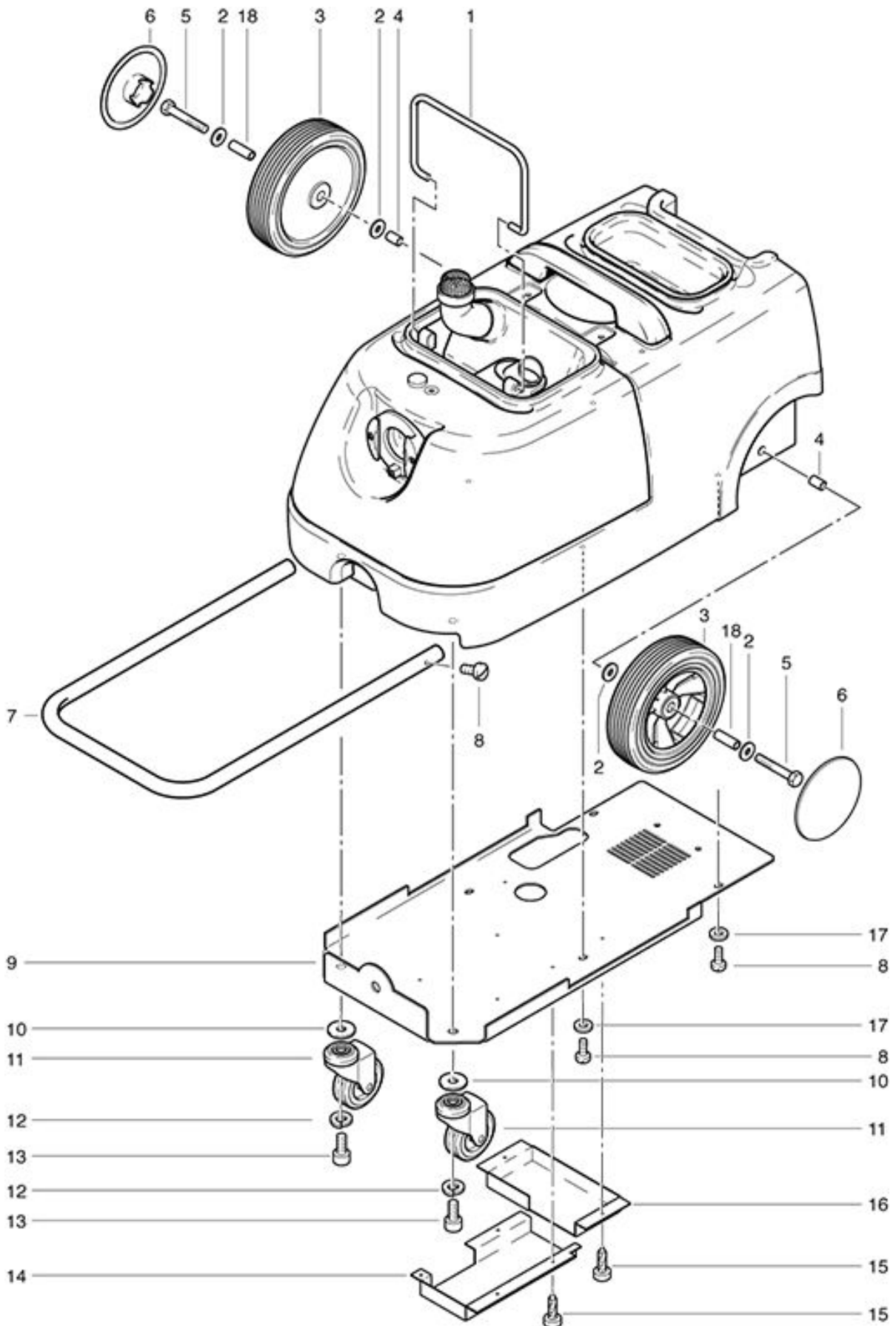


TW 402
Chassis

As at: 05/13/08 Time:19:32



TW 402

Chassis

As at: 05/13/08 Time:19:32

Pos.	Description	Reference
01	Carrying handle	041.470
02	Washer M 8	P...496 Q
03	Wheel	380.135
04	Distance piece	041.404
05	Hexagon screw M 8x70 mm	041.403
06	Wheel cover	300.242
07	Transporting handle	041.469
08	Pan head screw M 6x12 mm	P...475 T
09	Bottom plate	041.501
10	Washer M 10	P...496 S
11	Castor	P...204 B
12	Spring ring M 10	P...498 E
13	Cylindrical socket screw M 10x20 mm	P...487 H
14	Large air canal cpl.	041.580
15	Self tapping screw M 4x8 mm	P...481 P
16	Small air canal cpl.	041.570
17	Washer M 6	P...496 L
18	Distance piece	380.137