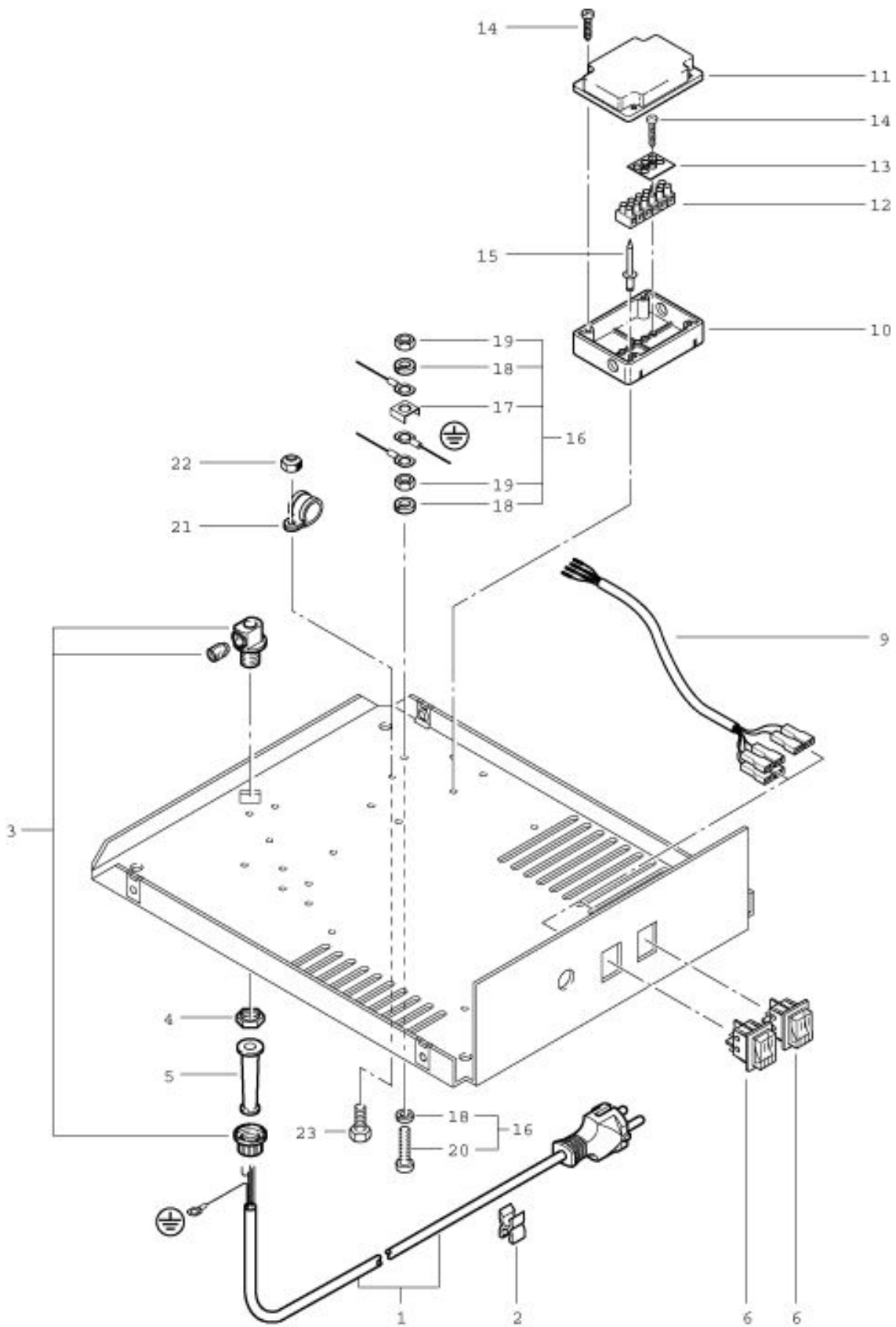


TW 600
Electrical cord

As at: 05/13/08 Time:20:12



TW 600

Electrical cord

As at: 05/13/08 Time:20:12

Pos.	Description	Reference
01	Electrical connection EURO	P...283
01	Electrical connection SEV	P...284
02	Cable clamp	P...278
03	Fixation for cable	P...279
04	Counter nut PG 9	P...279H
05	Cable protection	P...280
06	Switch with protection	P...240
09	Switch cable tree	060.410
10	Distribution box bottom	P...377
11	Distribution box cover	P...379A
12	Connection block 3-ways	P...383C
13	Marking plate	P...394
14	Cyl. tapped screw KA 30x14 mm	P...516S
15	Rivets dm 3x10 mm	P...485J
16	Earthing complete, including: Items 17-20	P...388
17	Clamp bow	P...420
18	Spring washer M4	P...498A
19	Hexagon nut M4	P...491Q
20	Screw M 4x20 mm	P...478L
21	Fixing clamp	P...281
22	Hexagon nut M5	P...492G
23	Hexagon screw M 5x12 mm	P...470H