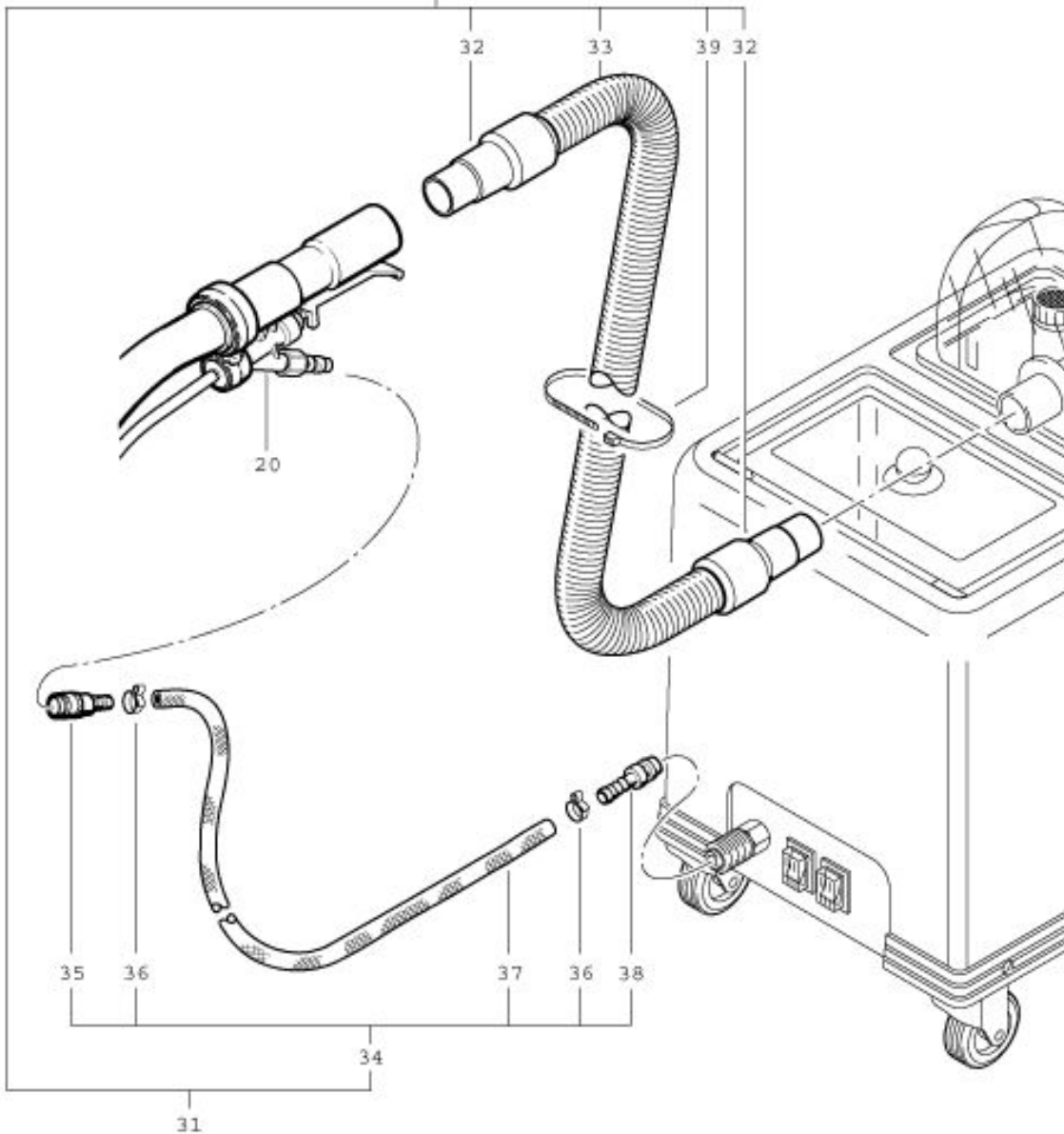
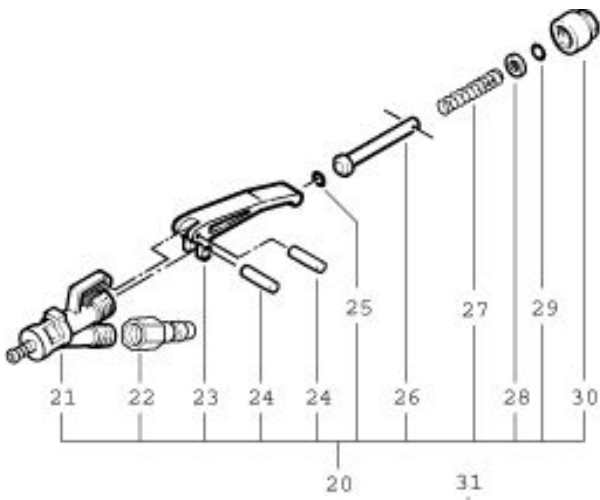


TW 600
Spray and suction hose

As at: 05/13/08 Time:20:14



TW 600

Spray and suction hose

As at: 05/13/08 Time:20:14

| Pos. | Description | Reference |
|-------------|---|------------------|
| 20 | Spraying valve with fitting including Items 21-30 | P...681 |
| 21 | Valve body | P...681A |
| 22 | Tapped nipple 1/4'' | P...501B |
| 23 | Lever | P...681C |
| 24 | Cyl. Pin dm 1,5x14,5 mm | P...681K |
| 25 | O-ring dm 5,23 mm | P...681F |
| 26 | Valve pin | P...681D |
| 27 | Valve spring | P...681E |
| 28 | Washer M5 | P...497G |
| 29 | O-ring dm 5 mm | P...681G |
| 30 | Cap nut | P...681B |
| 31 | Spraying and suction hose cpl.including items 32-39 | 035.561 |
| 32 | Hose end connector 32 mm | P...575 |
| 33 | Suction hose with fixation ring | P...562A |
| 34 | Pressure hose complete including Items 35-38 | 041.701 |
| 35 | Female quick connector | 900.165 |
| 36 | Clamp 13,5 mm | P...550 I |
| 37 | Pressure hose Ø 6/12x3200 mm | P...566 E |
| 38 | Male quick connector | P...501 D |
| 39 | Cable tie | P...609 |