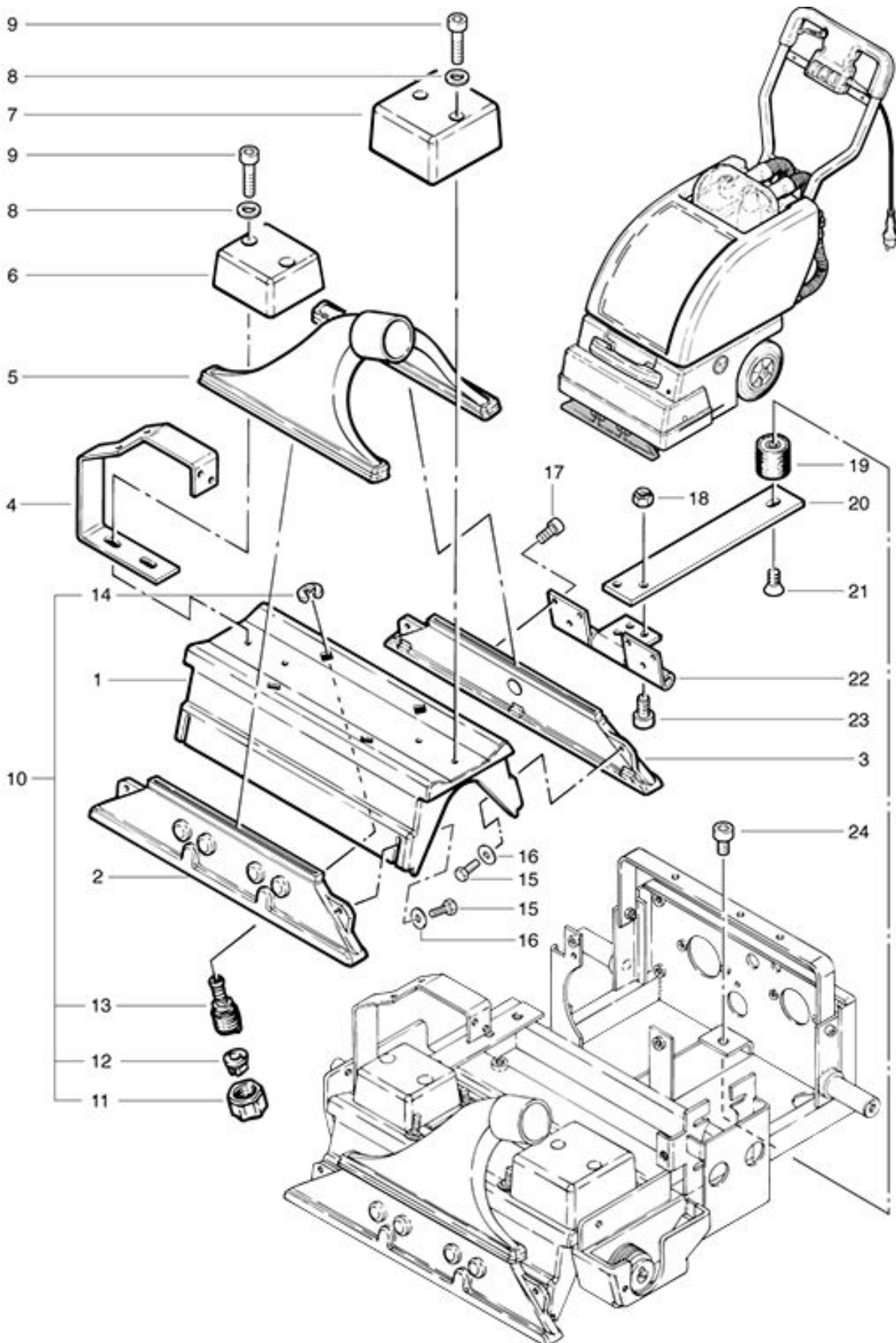


TW Compact Brush housing and nozzles

As at: 05/16/08 Time:23:19



TW Compact

Brush housing and nozzles

As at: 05/16/08 Time:23:19

Pos.	Description	Reference
01	Brush canal	420.510
02	Suction nozzle (front)	420.520
03	Suction nozzle (rear)	420.530
04	Pump holder	420.569
05	Adaptor for suction nozzle	420.560
06	Weight (right)	420.567
07	Weight (left)	420.564
08	Washer M 6	P...496 K
09	Hexagon socket screw M 6x30	P...488 S
10	Spraying nozzle complete including Items 11-14	420.550
11	Cup nut 3/8"	P...602 D
12	Spraying jet	P...627 C
13	Holder for nozzle	P...602 E
14	Security washer	P...499 N
16	Washer M 5	P...497 E
17	Hexagon screw M 5x12	P...488 B
18	Stopp-nut M 6	P...492 K
19	Round buffer	420.393
20	Lever	420.392
21	Countersunk screw M 8x12	P...479 R
22	Hinge	420.391
23	Hexagon screw M 6x16	P...488 P
24	Hexagon screw M 6x16	P...487 A