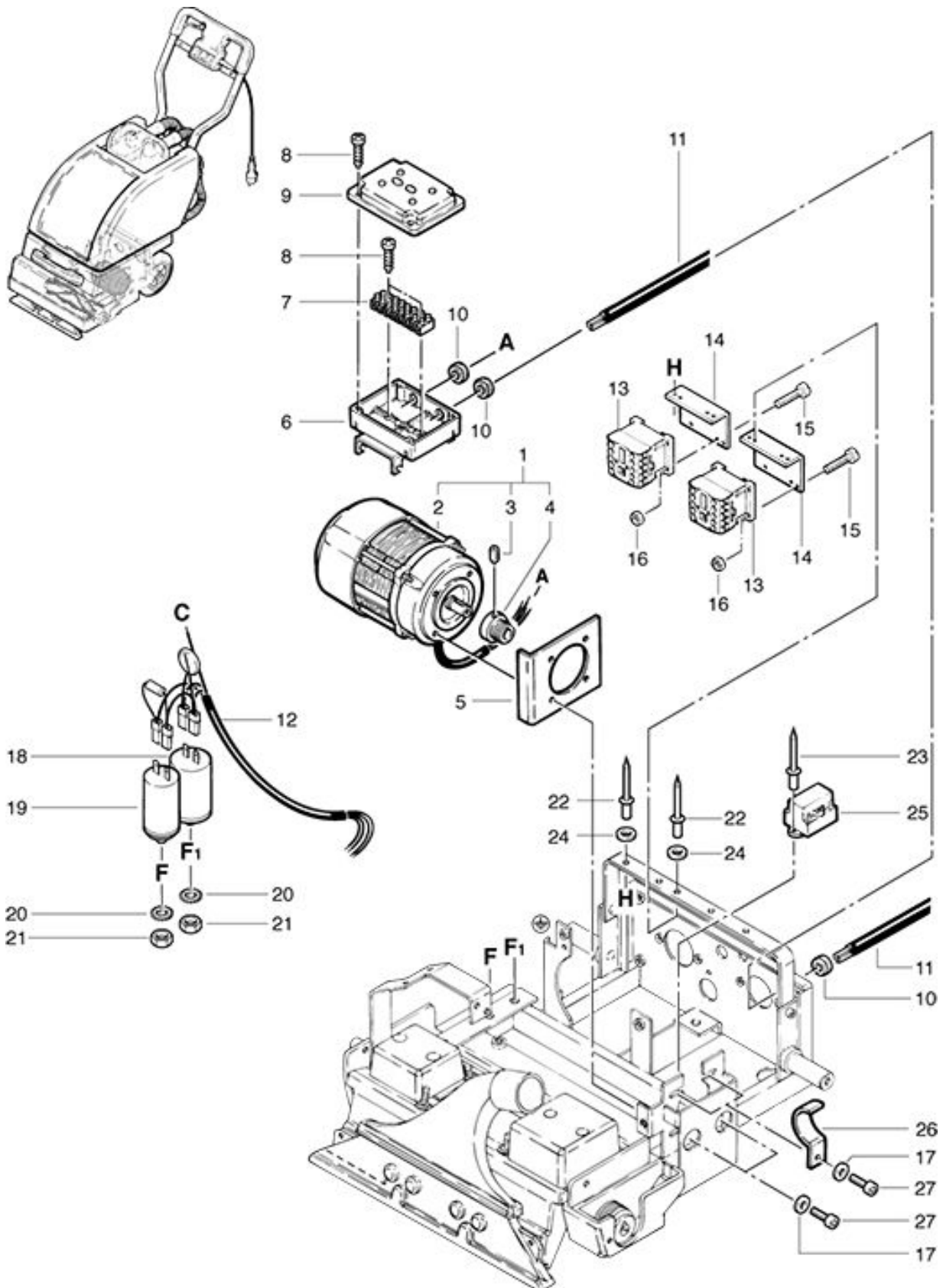


TW Compact
Brush motor and brush support Pos. 1-27

As at: 05/16/08 Time:23:20



TW Compact

Brush motor and brush support Pos. 1-27

As at: 05/16/08 Time:23:20

Pos.	Description	Reference
01	Brush motor complete including Items 2-4	420.281
02	Brush motor 370W	400.281 A
03	Threaded pin M 6x10	P...484 Y
04	Belt pulley	420.290
05	Motor holder 110x90x3	400.291
06	Distribution box	400.320 A
07	Terminal 9 poles	P...383 M
08	PT-Screw KA 30x14	P...516 S
09	Cover of distribution box	P...379 A
10	Rubber clamp	P...408 K
11	Harness for pushbar	420.305
12	Harness for capacitor	402.306
13	Power protector	P...353
14	Angle	420.116
15	Cyl. Head screw M 3x14	P...477 D
16	Hexagon nut M 3	P...491 P
17	Washer M 5	P...497 G
18	Capacitor 12 μ F	P...385 B
19	Capacitor 20 μ F	P...385 E
20	Serrated lock washer M 8	P...499 F
21	Hexagon nut M 8	P...490 E
22	Blind rivet 3x10	P...485 J
23	Blind rivet 4x8	P...485 C
24	Washer M 3	P...497 J
25	Relais	420.331
26	Clamp	400.137
27	Hexagon socket screw M 5x16	P...486 I