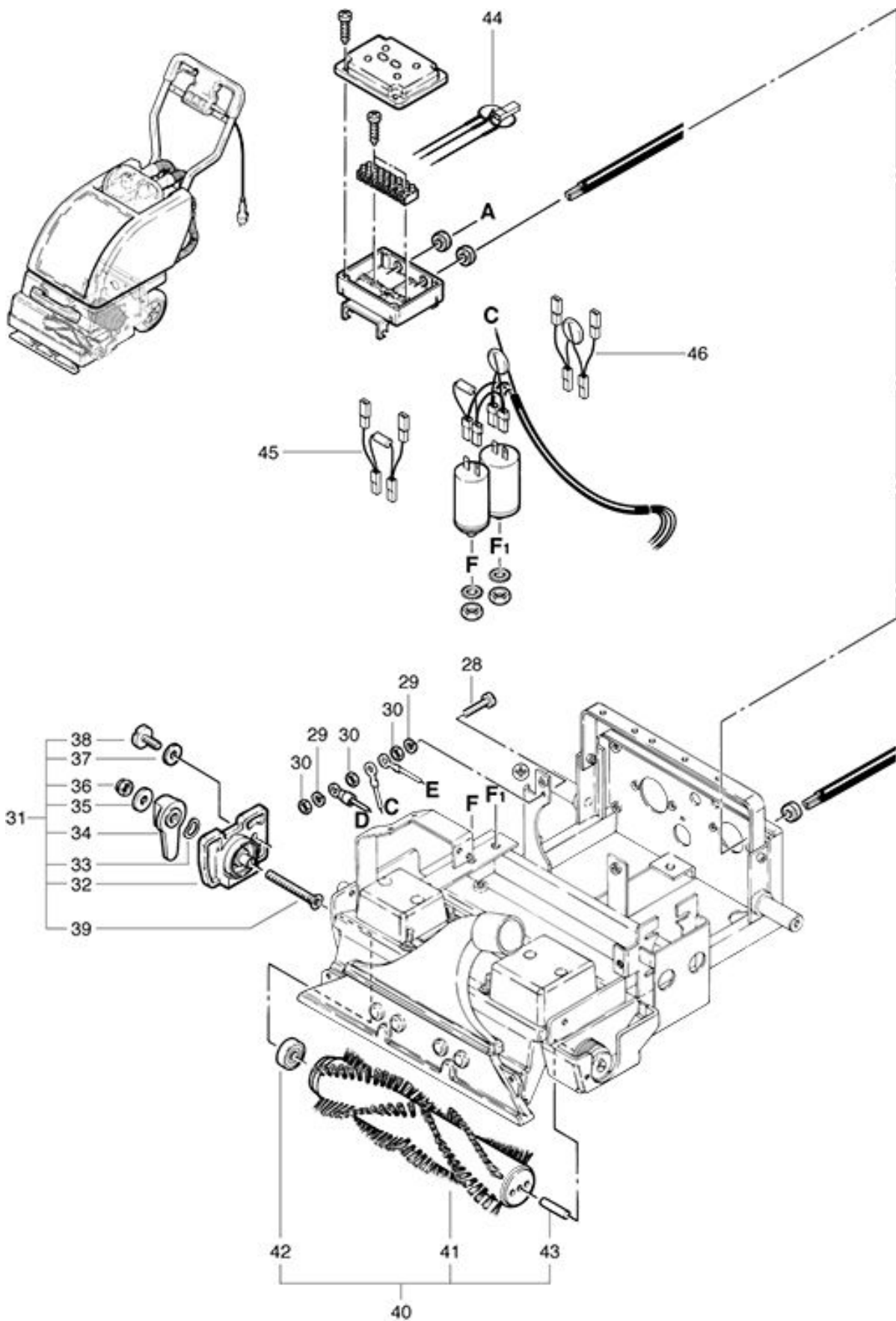


TW Compact
Brush motor and brush support Pos. 28-46

As at: 05/16/08 Time:23:20



TW Compact

Brush motor and brush support Pos. 28-46

As at: 05/16/08 Time:23:20

Pos.	Description	Reference
28	Cyl. Head screw M 4x20	P...478 L
29	Spring washer M 4	P...498 A
30	Hexagon nut M 4	P...491 Q
31	Brush support complete including: items 32-39	420.450
32	Brush support	420.456
33	Spring washer Ø 14,6x18x0,15	P...498 X
34	Supporting lever	420.461
35	Washer M 6	P...496 L
36	Stopp-nut M 6	P...492 K
37	Washer M 5	P...497 E
38	Special screw M 5x12	400.475
39	Screw m 6x45	P...480 J
40	Brush complete (0,35) including: items 41-43	420.470
41	Standard brush (0,35)	420.471
42	Ball bearing Ø 12/32x10	P...316 D
43	Centrepin 8x38 mm	400.478
44	Varistor EPC05 275 VAC	420.241
45	Resistance 39 kOhm (supplementary part)	420.306 E
46	Varistor 320 V (supplementary part)	420.306 D