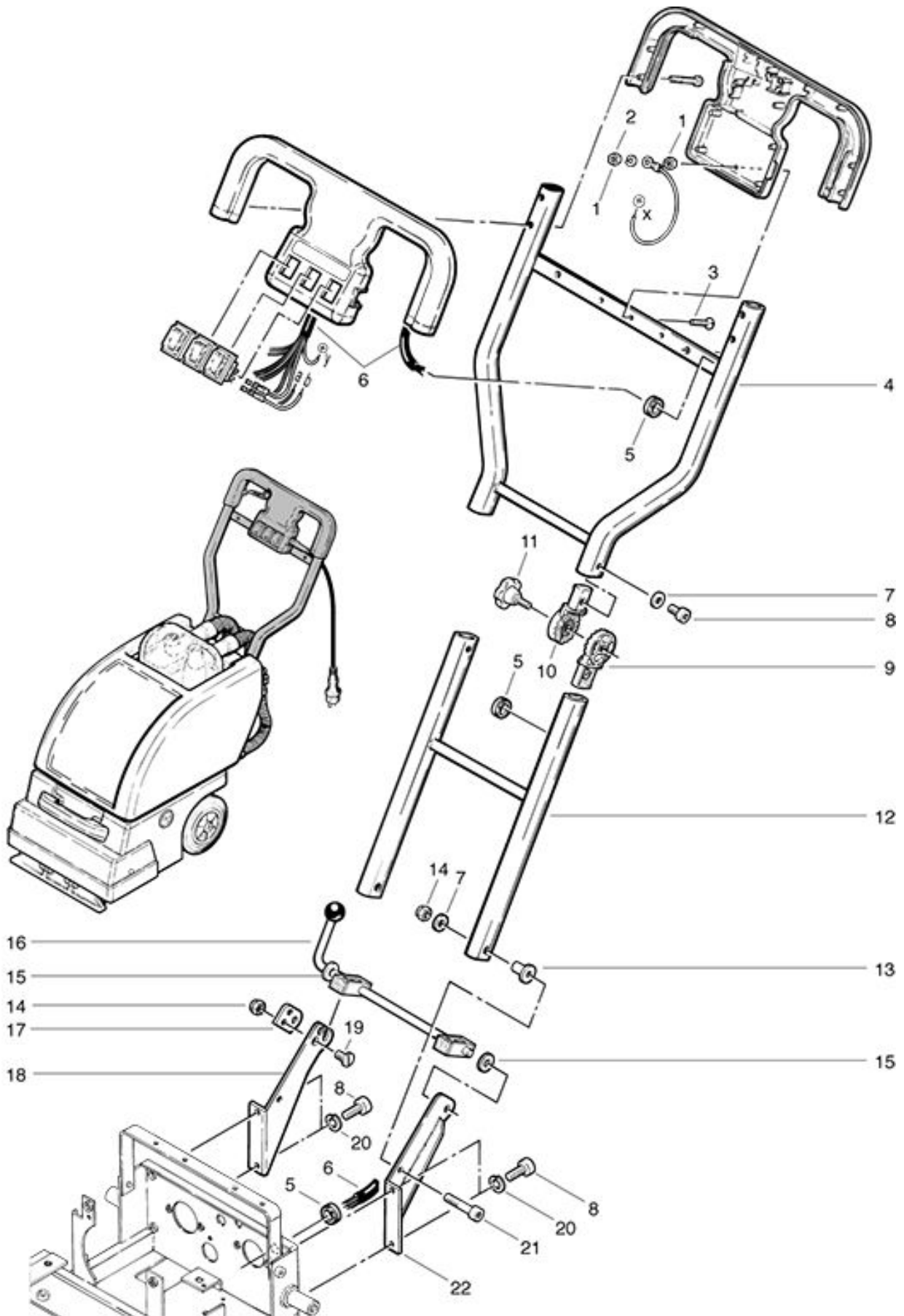


TW Compact
Lower pushbar Pos. 1-22

As at: 05/16/08 Time:23:21



TW Compact

Lower pushbar Pos. 1-22

As at: 05/16/08 Time:23:21

Pos.	Description	Reference
01	Hexagon nut M 4	P...491 Q
02	Spring ring M 4	P...498 A
03	Screw M 4x20	P...481 E
04	Upper pushbar	420.650
05	Rubber clamp	P...408 K
06	Wiring to handle	420.305
07	Washer M 6	P...496 L
08	Hexagon socket screw M 6x12	P...486 Q
09	Lower joint	420.602
10	Upper joint	420.601
11	Screw knob	P...253
12	Lower pushbar	420.651
13	Distance piece dm 22/6,3x22,5	420.370
14	Stopp-nut M 6	P...493 K
15	Washer M 8	P...496 Q
16	Adjustment lever	420.356
17	Metal supporting piece	420.999
18	Lever support (right)	420.351 A
19	Screw M 6x12	P...487 U
20	Spring ring M 6	P...498 U
21	Hexagon screw M 6x35	P...486 S
22	Lever support (left)	420.351