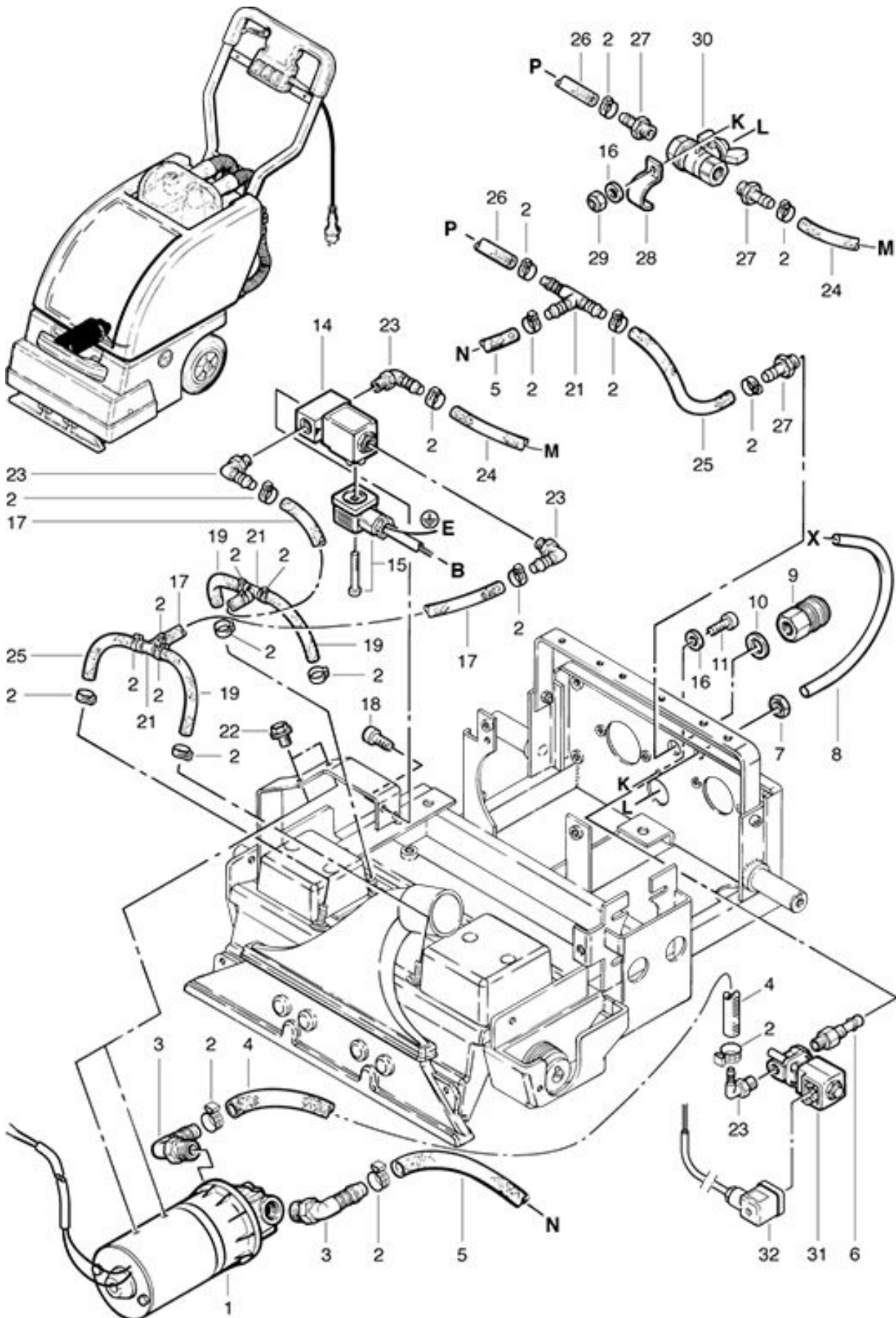


**TW Compact**  
**Pump assembling and hoses**

As at: 05/16/08 Time:23:23



# TW Compact

## Pump assembling and hoses

As at: 05/16/08 Time:23:23

<b>Pos.</b>	<b>Description</b>	<b>Reference</b>
01	Flojet-Pump	P...821 B
02	Clamp 14,5 mm	P...550 A
03	Angled nipple 8-3/8"	P...541 M
04	Pressure hose 12/6x400 mm	420.261
05	Pressure hose 12/6x200 mm	420.269
06	Straight nipple	400.343
07	Hexagon nut G 1/8"	P...535 I
08	Connection hose	420.725
09	Female quick connector 1/4" IG	P...500 A
10	Washer 14/24x2 mm	P...260
11	Hexagon socket screw M 5x12	P...488 B
14	Magnetic valve 3/3 ways	420.276
15	Cable for magnetic valve	420.309
16	Washer M 5	P...497 E
17	Hose 12/6x300 mm	420.261 A
18	Hexagon socket screw M 5x8	P...488 E
19	Hose 12/6x140 mm	420.341
21	Connection piece TS 8	P...544 D
22	Taptite-screw	P...484 R
23	Angled nipple 8-1/8"	P...541 G
24	Hose 12/6x650 mm	420.262 A
25	Hose 12/6x110 mm	420.343
26	Hose 12/6x250 mm	420.262
27	Male connector NW 8-1/4" AG	P...524 F
28	Bracket	450.336 A
29	Stop nut M 5	P...493 G
30	Ball tap	P...508 B
31	Magnetic valve 2/2 ways	420.255
32	Cable for magnetic valve	550.257