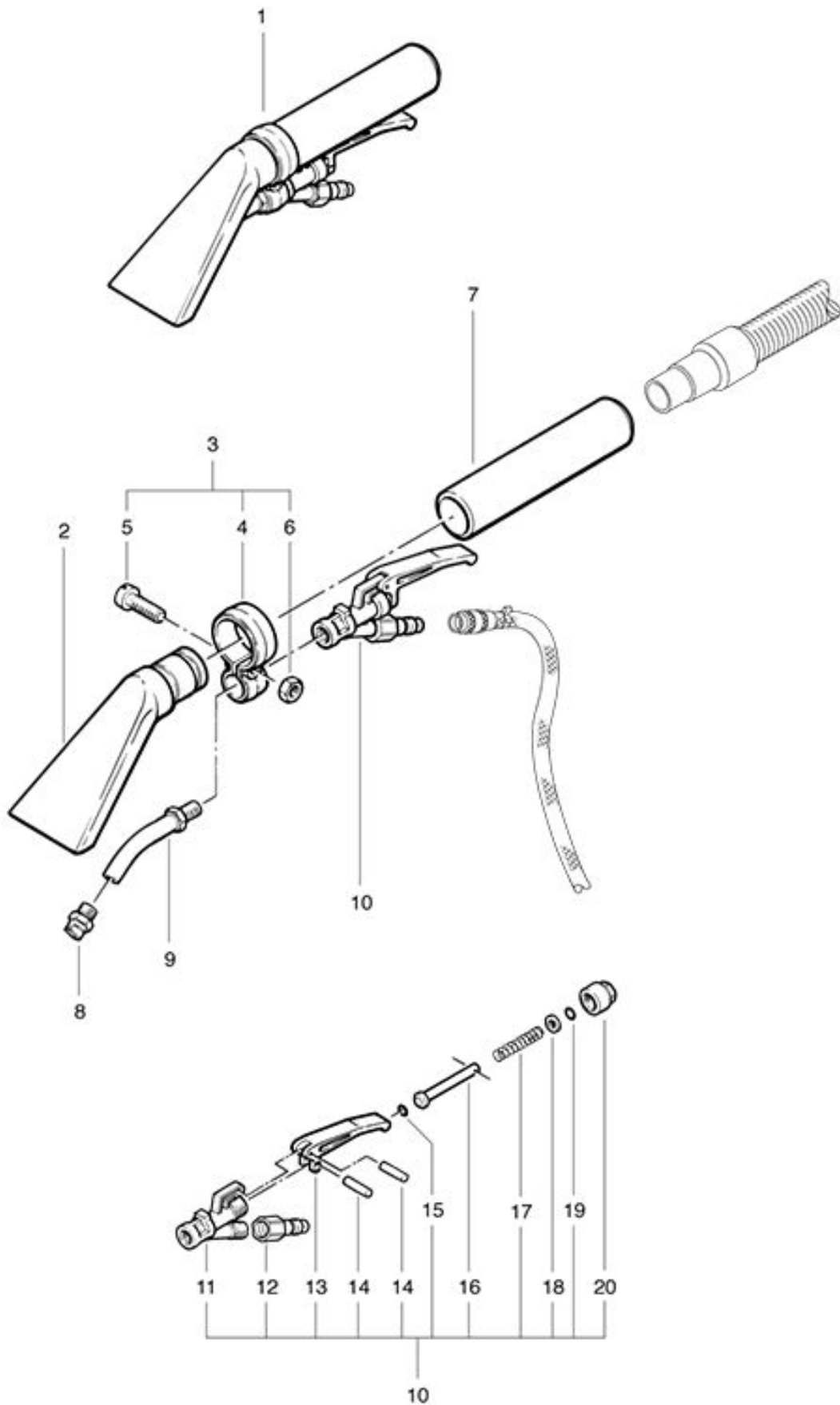


TW Compact
Accessoires-Upholstery tool

As at: 05/16/08 Time:23:17



TW Compact

Accessoires-Upholstery tool

As at: 05/16/08 Time:23:17

Pos.	Description	Reference
01	Upholstery tool	617.000
02	Nozzle housing 8 cm	617.623 A
03	Guide bride complete including items 4-6	P...683
04	Guide bride	P...683 A
05	Cylindrical screw M 5x18	P...683 B
06	Hexagon screw M 5	P...490 C
07	Pipe Ø 33 mm	617.624
08	Jet nozzle 11004	P...627
09	Pipe bend	617.625
10	Spraying valve with fitting including Items 11-20	P...680
11	Valve body	P...680 A
12	Tapped nipple 1/4"	P...501 B
13	Lever	P...681 C
14	Cyl. Pin Ø 1,5x14,5 mm	P...681 K
15	O-ring Ø 5,23 mm	P...681 F
16	Valve pin	P...681 D
17	Valve spring	P...681 E
18	Washer M 5	P...497 G
19	O-ring Ø 5 mm	P...681 G
20	Cap nut	P...681 B