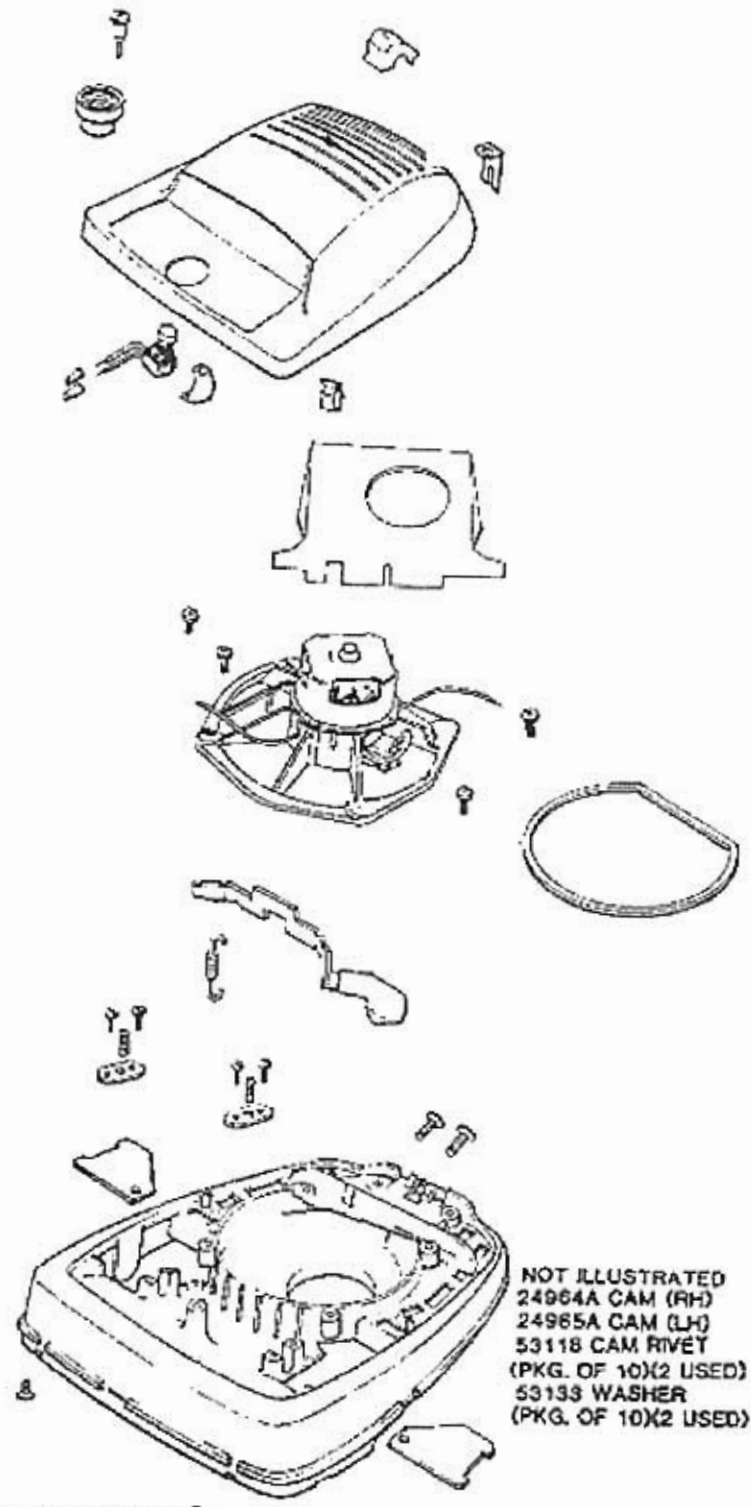


PARTS1 - 1435D



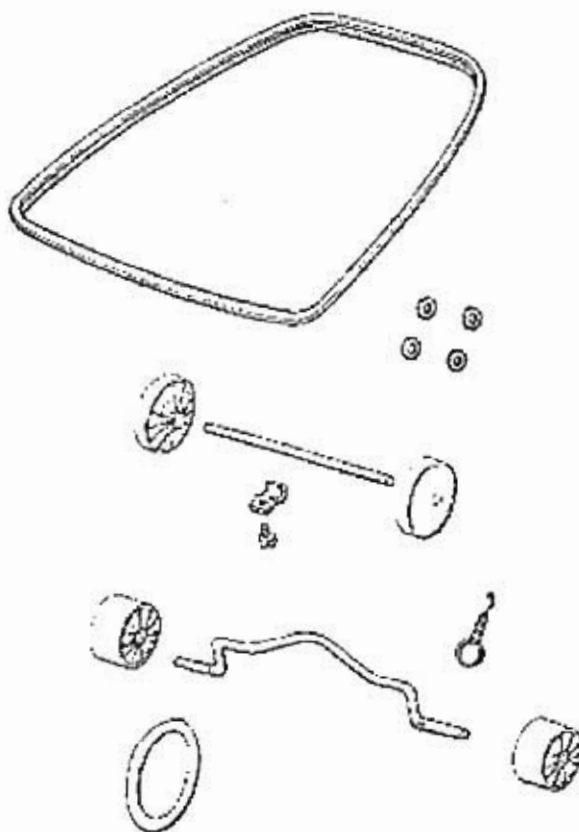
NOT ILLUSTRATED
24964A CAM (RH)
24965A CAM (LH)
53118 CAM RIVET
(PKG. OF 10)(2 USED)
53133 WASHER
(PKG. OF 10)(2 USED)

53215-4 SCREW (2) &
(HOOD TO BASE)

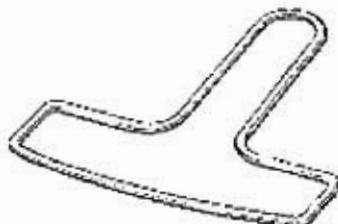
PARTS1 - 1435D

Ref #	Part	Description	Comments	Qty
1	24834A-1	Discontinued, use 24834A-3		
2	24964A	CAM (RIGHT)		
3	24965A	CAM (LEFT)		
4	25649A-1	KNOB-ADJUSTMENT (NLA)		
5	27091-1	BUTTON - SWITCH		
6	30517	GASKET - MOTOR SEAL		
7	36263	COVER - WHEEL		
8	37590	BRACKET - BUSHING		
9	37989	CLIP - SWITCH		
10	53097	SPRING - FOOT PEDAL PKG (
11	53118	RIVET - SHOULDER PACKAGE		
12	53133	STL WASHERS-PKG (48495 (NLA)		
13	53140	CLAMP & SCREW ASSY PKG		
14	53143	SCREW PACKAGE (10)		
15	53214-1	WIRE SPLICE 5		
16	53215-4	SCREW PACKAGE		
17	53228-7	SCREWS - PACKAGE 10		
18	53238-13	SCREW PACKAGE		
19	53238-14	SCREW PACKAGE		
20	53349-7	MTR 1 SP 5.0 AM (53349-4		
21	53904-27	HOOD - PACKAGED		
22	54004-1	BASE ASSEMBLY - CARTONED		
23	54151-2	Discontinued, use 13738-5		
24	55015	CLIP - WIRE		
25	55446	NUT - HEX		

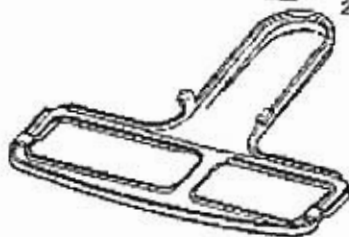
PARTS2 - 1435D



54104-1 DISTURBULATOR REPLACEMENT KIT (INCLUDES)
38138 CAP & BEARING ASS'Y.
53066 DISTURBULATOR CAP (PKG. OF 2)



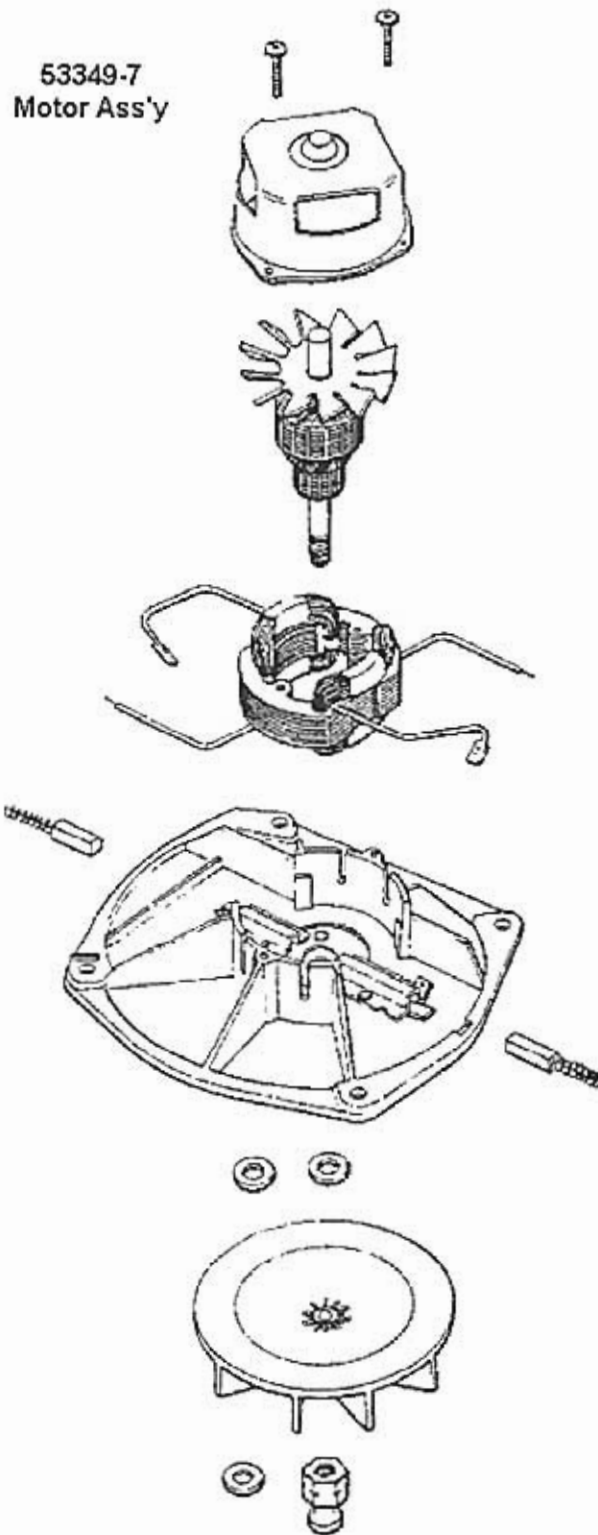
25922-1 BOTTOM PLATE (INCLUDES)
46538 GASKET



PARTS2 - 1435D

Ref #	Part	Description	Comments	Qty
1	25922-1	BOTTOM PLATE ASSEMBLY		
2	35858-1	Discontinued, use 35858-2		
3	35859A-1	WHEEL - FRONT		
4	36999-16	GUARD - FURNITURE		
5	38138	CAP & BEARING ASSEMBLY		
6	46538	TAPE-FOAM (use 46538-4)		
7	47562	AXLE - REAR		
8	53066	CAP - COVER		
9	53076-2	SPRING & AXLE PACKAGE (6)		
10	53111	CLIP PACKAGE (5)		
11	53238-11	SCREW PACKAGE		
12	54104-1	DISTURBULATOR REPLACEMENT		
13	57346	WASHER PACKAGE		

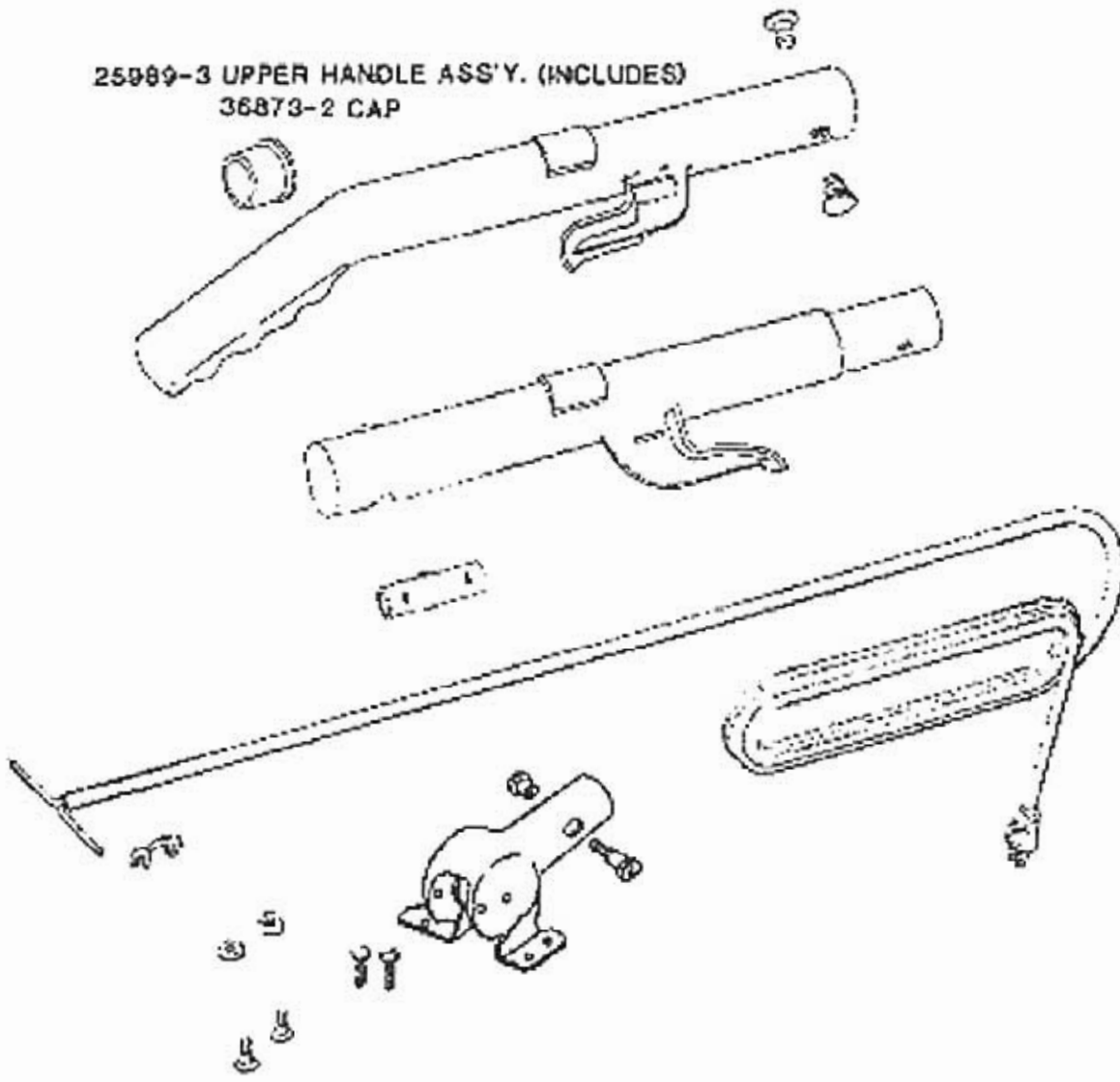
PARTS3 - 1435D



PARTS3 - 1435D

Ref #	Part	Description	Comments	Qty
1	12988-1	FAN BLOWER - MOTOR		
2	25172A-1	MOTOR BRUSH ASSEMBLY		
3	49507	PULLEY - MOTOR DRIVE		
4	53131-1	SCREW PACKAGE (10)		
5	53148	WASHER - FAN PACKAGE (10)		
6	53188-1	WASHER PACKAGE		
7	53349-7	MTR 1 SP 5.0 AM (53349-4		
8	53470-3	ARMATURE - CARTONED		
9	53901-2	FIELD ASSEMBLY - PKG		
10	54171-1	MOTOR BASE ASSEMBLY		
11	54172	FAN END HSG		

PARTS4 - 1435D

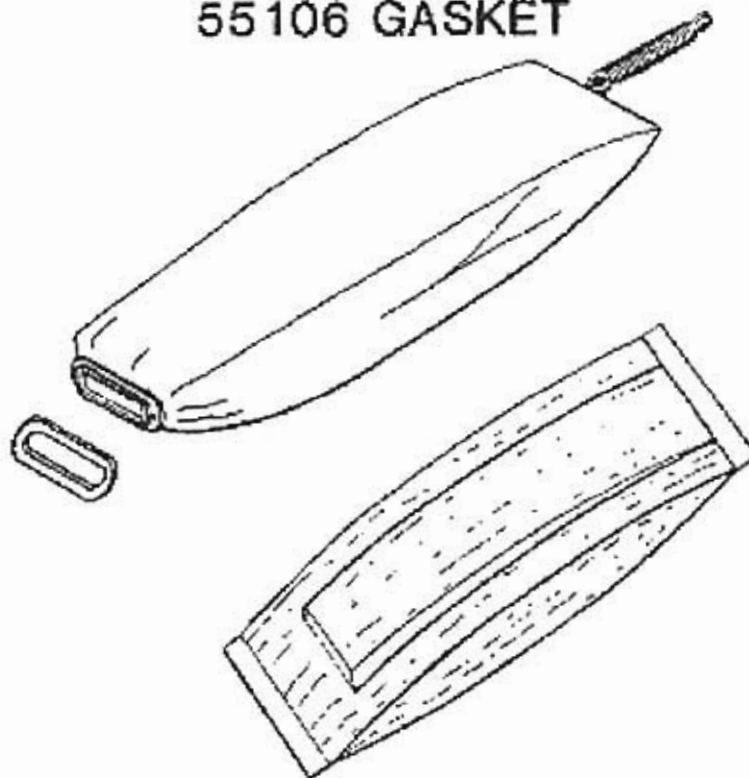


PARTS4 - 1435D

Ref #	Part	Description	Comments	Qty
1	25988-2	CONNECTOR - HANDLE TUBE		
2	25989-3	HANDLE ASSEMBLY (UPPER)		
3	27137-1	HANDLE SOCKET & FOOT PEDA		
4	34732-14	CORD - LOW LEAD (18 GA)		
5	36873-2	CAP - HANDLE		
6	36984-2	HANDLE KIT - UPRIGHT		
7	53080-1	PIN - SNAP PACKAGE (5)		
8	53089-1	BUSHING & STRAIN RELIEF P		
9	53145	BOLT PACKAGE (10)		
10	53198-1	HANDLE SCREW ASSY PACKAGE		
11	53213-5	NUTS - PACKAGE 10		
12	53238-13	SCREW PACKAGE		

PARTS5 - 1435D

**54175-1 ADAPTER, SLEEVE &
GASKET ASS'Y. (INCLUDES)
55106 GASKET**



55123A HARDWARE PKG.

- 1-HANDLE TUBE CONNECTOR
- 2-HANDLE SCREW ASS'Y.
- 4-SNAP PIN
- 2-SCREW

NOT ILLUSTRATED
48410 GARTER SPRING
48801 TIE WIRE

PARTS5 - 1435D

Ref #	Part	Description	Comments	Qty
1	47722	SPRING - BAG		
2	48410	SPRING - GARTER		
3	48801	WIRE - TIE		
4	52320	PAPER BAG PKG ASSY STYLE		
5	54133-3	ZIPPER BAG ASSEMBLY - PKG		
6	54175-1	ADAPTER - BAG		
7	55106	GASKET - BAG ADAPTER		
8	55123A	HARDWARE PACKAGE - UPRIGH		