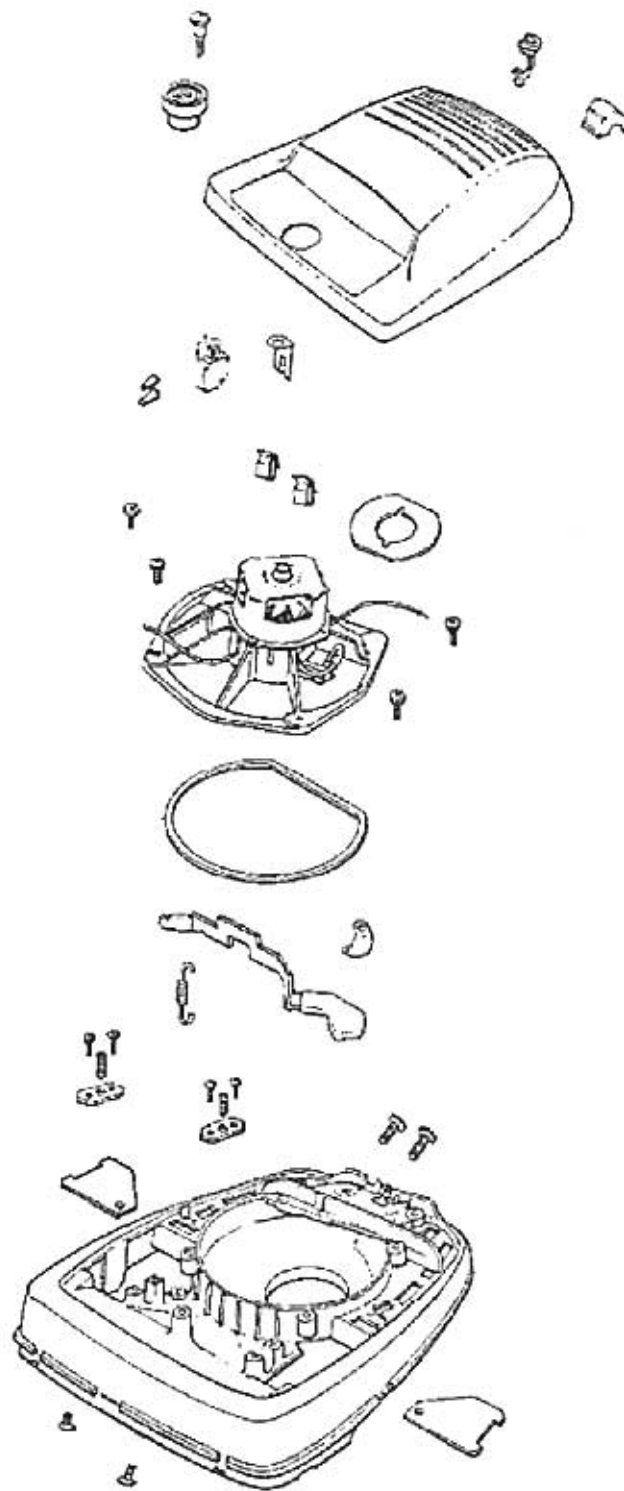


PARTS1 - 1443B



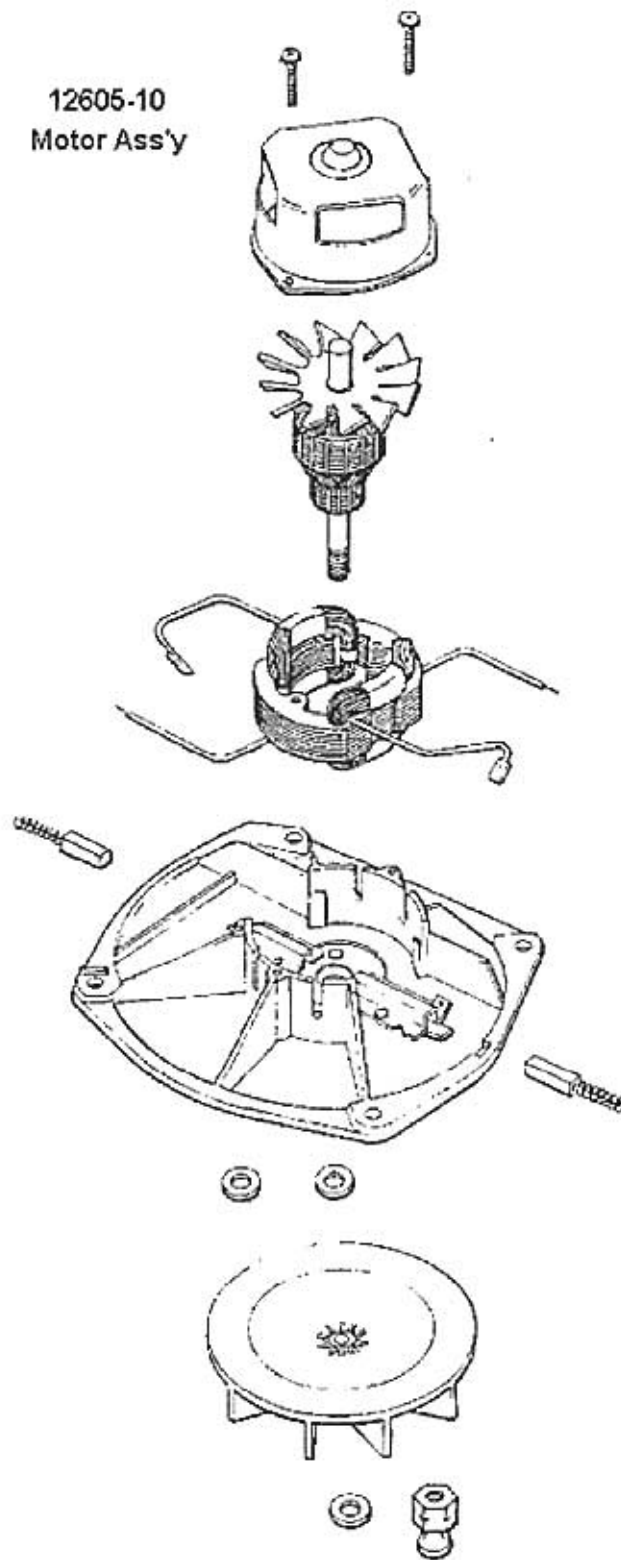
49063-22 BASE ASS'Y  
24964A CAM (R.H.)  
24965A CAM (L.H.)  
47854A RIVET (2)  
89495 WASHER (2)

## PARTS1 - 14438

Ref #	Part	Description	Comments	Qty
1	13738-5	SWITCH ASSEMBLY		
2	24834A-1	Discontinued, use 24834A-3		
3	24964A	CAM (RIGHT)		
4	24965A	CAM (LEFT)		
5	25649A-1	KNOB-ADJUSTMENT (NLA)		
6	27091-1	BUTTON - SWITCH		
7	30517	GASKET - MOTOR SEAL		
8	36263	COVER - WHEEL		
9	37590	BRACKET - BUSHING		
10	37989	CLIP - SWITCH		
11	47854A	RIVET - SHOULDER PACKAGE		
12	48495	STEEL WASHERS - PACKAGE 1		
13	49063-22	BASE ASSEMBLY - CARTONED		
14	53089-1	BUSHING & STRAIN RELIEF P		
15	53097	SPRING - FOOT PEDAL PKG (		
16	53140	CLAMP & SCREW ASSY PKG		
17	53143	SCREW PACKAGE (10)		
18	53214-1	WIRE SPLICE 5		
19	53228-7	SCREWS - PACKAGE 10		
20	53238-13	SCREW PACKAGE		
21	53238-17	SCREW PACKAGE		
22	55015	CLIP - WIRE		
23	EW29-8-12ZP	SCREW PACKAGE		

PARTS2 - 1443B

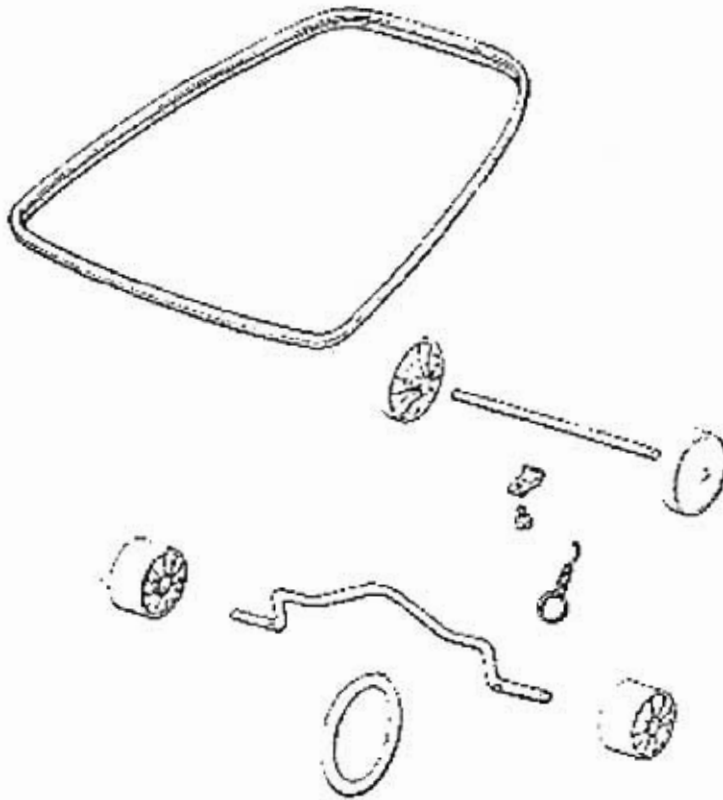
12605-10  
Motor Ass'y



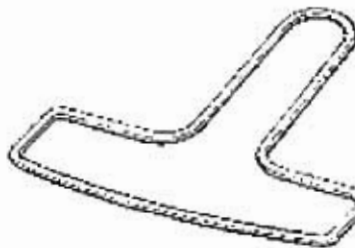
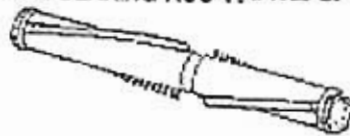
## PARTS2 - 1443B

Ref #	Part	Description	Comments	Qty
1	12988-1	FAN BLOWER - MOTOR		
2	25172A-1	MOTOR BRUSH ASSEMBLY		
3	26484	ARMATURE & FAN ASSY - PAC		
4	49507	PULLEY - MOTOR DRIVE		
5	53131-1	SCREW PACKAGE (10)		
6	53148	WASHER - FAN PACKAGE (10)		
7	53188-1	WASHER PACKAGE		

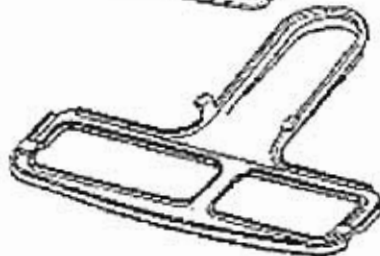
PARTS3 - 1443B



37558-1 DISTURBULATOR ASS'Y. (INCLUDES)  
53241 CAP & BEARING ASS'Y. (PKG. OF 2)(2 USED)



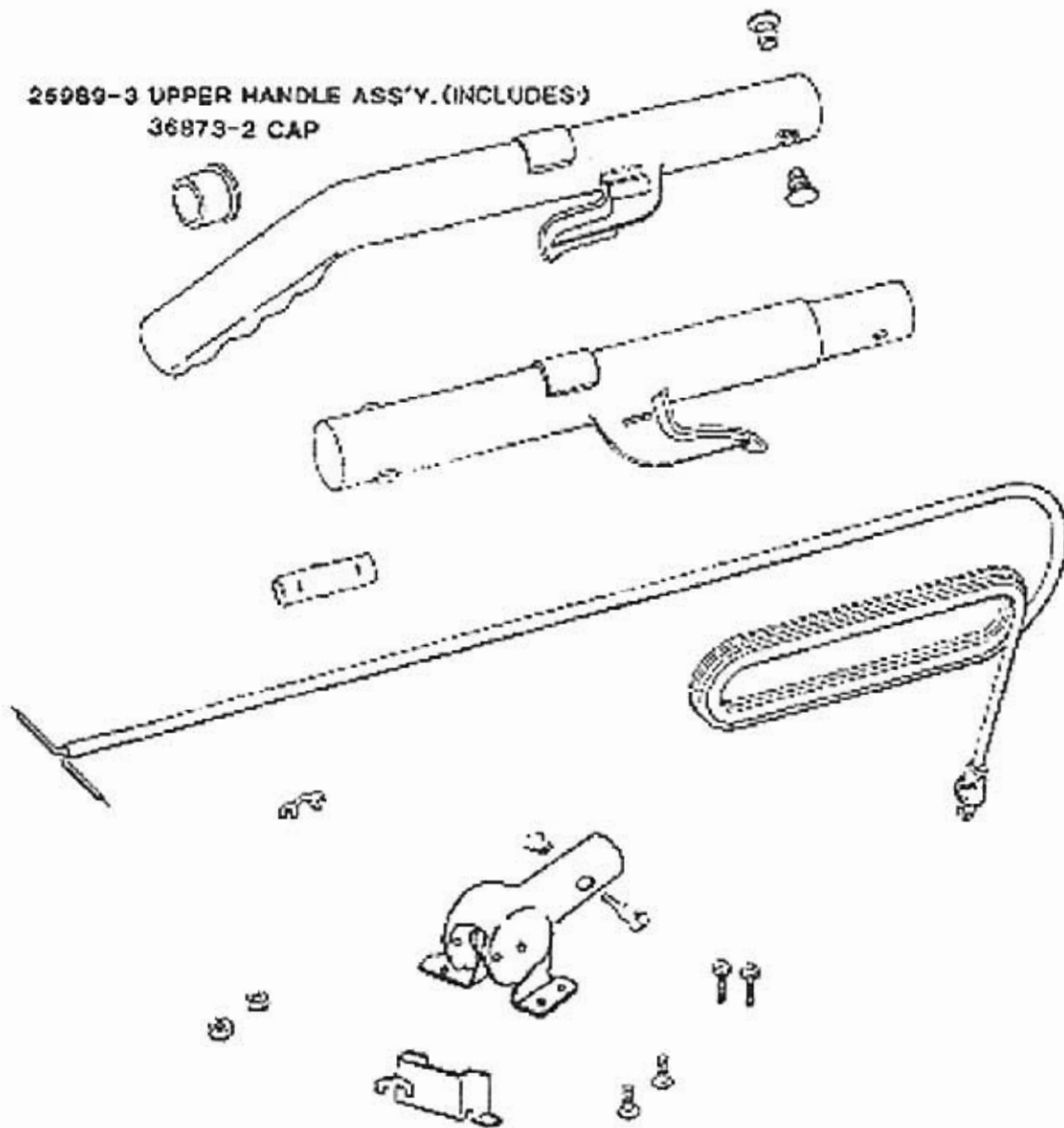
25022-1 BOTTOM PLATE (INCLUDES)  
46538 GASKET



PARTS3 - 1443B

Ref #	Part	Description	Comments	Qty
1	25922-1	BOTTOM PLATE ASSEMBLY		
2	35858-1	Discontinued, use 35858-2		
3	35947A	AXLE - FRONT		
4	36999-17	GUARD - FURNITURE		
5	37558-1	DISTURBULATOR ASSY - CART		
6	46538	TAPE-FOAM (use 46538-4)		
7	47562	AXLE - REAR		
8	53076-2	SPRING & AXLE PACKAGE (6)		
9	53111	CLIP PACKAGE (5)		
10	53238-11	SCREW PACKAGE		
11	53241	CAP & BEARING ASSY		

PARTS4 - 1443B

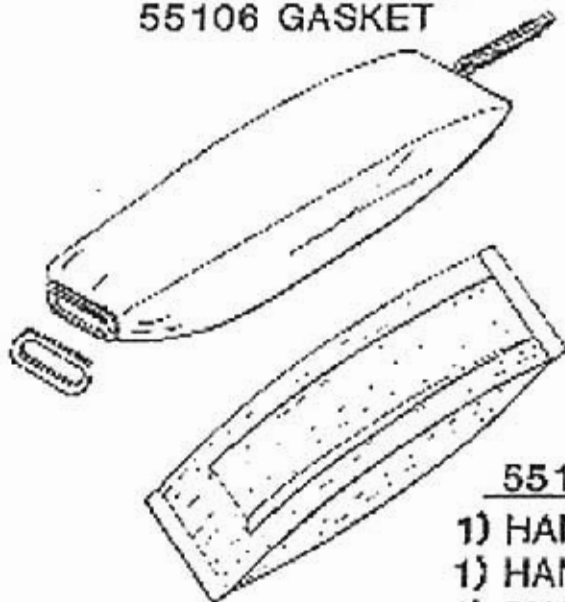


## PARTS4 - 1443B

Ref #	Part	Description	Comments	Qty
1	25988-2	CONNECTOR - HANDLE TUBE		
2	25989-3	HANDLE ASSEMBLY (UPPER)		
3	27137-1	HANDLE SOCKET & FOOT PEDA		
4	34732-10	CORD - LOW LEAD (18 GA)		
5	36873-2	CAP - HANDLE		
6	36984-2	HANDLE KIT - UPRIGHT		
7	37157	SHIELD-HDLE SOCKET (NLA)		
8	53080-1	PIN - SNAP PACKAGE (5)		
9	53145	BOLT PACKAGE (10)		
10	53190-1	BUSHING - STRAIN RELIEF-P		
11	53198-1	HANDLE SCREW ASSY PACKAGE		
12	53238-13	SCREW PACKAGE		
13	EW14-10ZP	NUTS - PACKAGE 10		

PARTS5 - 1443B

52309 ADAPTER, SLEEVE &  
GASKET ASS'Y. (INCLUDES)  
55106 GASKET



55123A HARDWARE PKG.

- 1) HANDLE TUBE CONNECTOR
- 1) HANDLE SCREW
- 4) SNAP PIN
- 2) SCREW

NOT ILLUSTRATED  
48410 GARTER SPRING  
48801 TIE WIRE

## PARTS5 - 1443B

Ref #	Part	Description	Comments	Qty
1	13450-64	ZIPPER BAG ASSEMBLY - PKG		
2	47722	SPRING - BAG		
3	48410	SPRING - GARTER		
4	48801	WIRE - TIE		
5	52309	ADAPTER - BAG		
6	52320	PAPER BAG PKG ASSY STYLE		
7	55106	GASKET - BAG ADAPTER		
8	55123A	HARDWARE PACKAGE - UPRIGH		