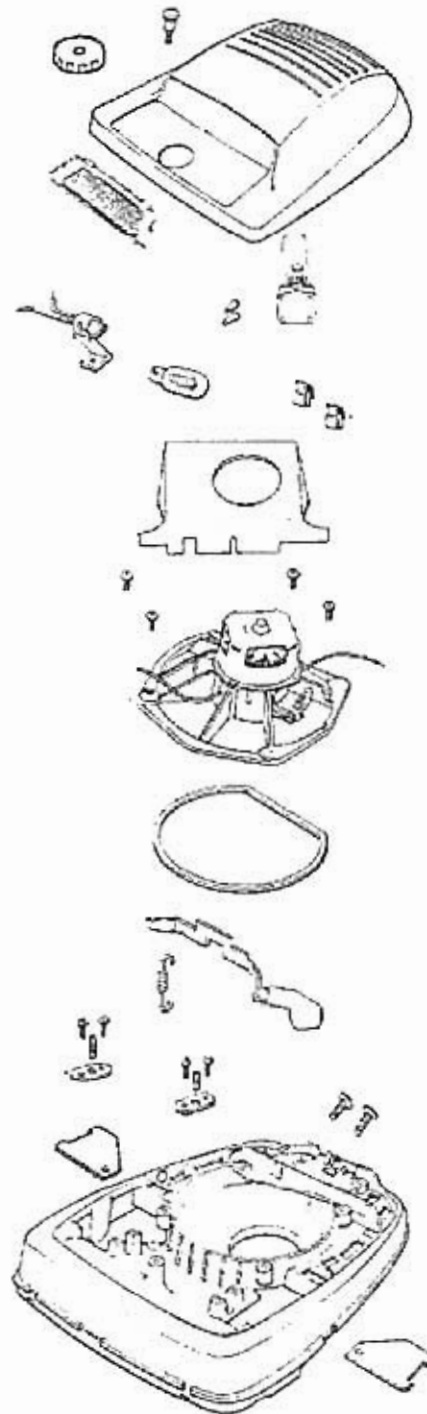


PARTS1 - 1485B



EW28-8-12ZP SCREW (2) (HOOD TO BASE)



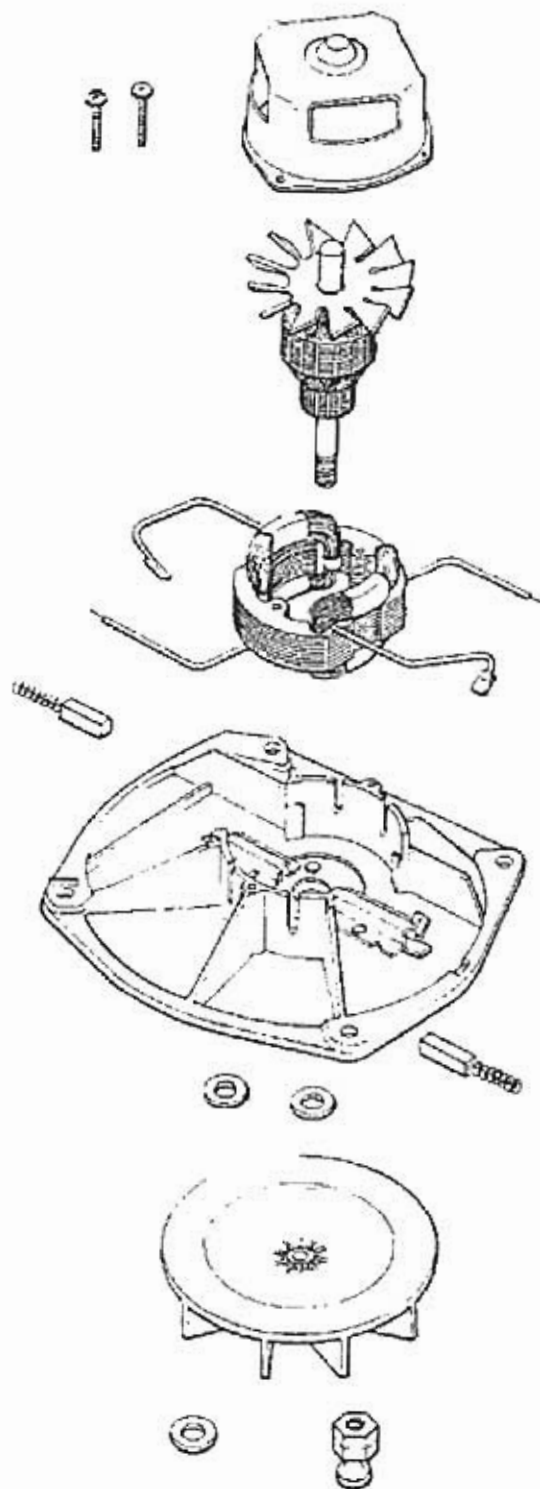
NOT ILLUSTRATED
 24964A CAM (R-H)
 24965A CAM (L-H)
 53118 CAM RIVET
 (PKG. OF 10)(2 USED)
 53133 WASHER
 (PKG. OF 10)(2 USED)

PARTS1 - 1485B

Ref #	Part	Description	Comments	Qty
1	13738-5	SWITCH ASSEMBLY		
2	13751	LENS		
3	24834A-1	Discontinued, use 24834A-3		
4	24964A	CAM (RIGHT)		
5	24965A	CAM (LEFT)		
6	30517	GASKET - MOTOR SEAL		
7	36263	COVER - WHEEL		
8	40009A	LAMP - HEADLIGHT		
9	53097	SPRING - FOOT PEDAL PKG (
10	53118	RIVET - SHOULDER PACKAGE		
11	53133	STL WASHERS-PKG (48495 (NLA)		
12	53140	CLAMP & SCREW ASSY PKG		
13	53143	SCREW PACKAGE (10)		
14	53214-1	WIRE SPLICE 5		
15	53228-7	SCREWS - PACKAGE 10		
16	53238-13	SCREW PACKAGE		
17	53238-17	SCREW PACKAGE		
18	55015	CLIP - WIRE		
19	55446	NUT - HEX		
20	EW29-8-122P	SCREW PACKAGE		

PARTS2 - 1485B

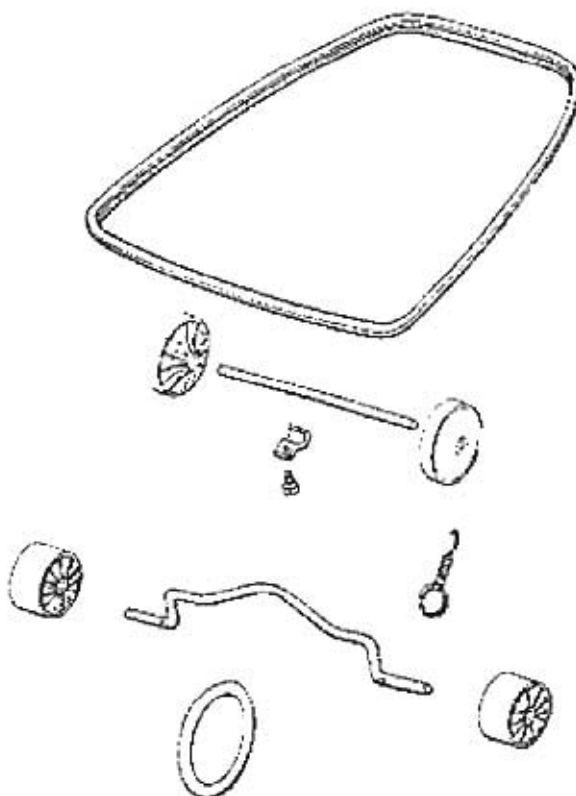
12605-4 MOTOR ASSY - COMPLETE



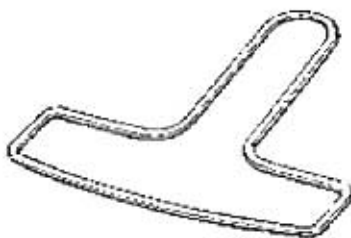
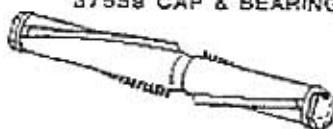
PARTS2 - 1485B

Ref #	Part	Description	Comments	Qty
1	12988-1	FAN BLOWER - MOTOR		
2	25172A-1	MOTOR BRUSH ASSEMBLY		
3	49507	PULLEY - MOTOR DRIVE		
4	53131-1	SCREW PACKAGE (10)		
5	53148	WASHER - FAN PACKAGE (10)		
6	53188-1	WASHER PACKAGE		

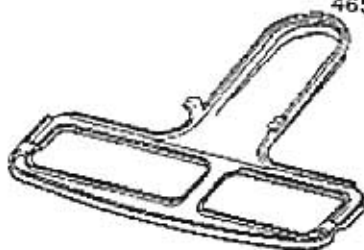
PARTS3 - 1485B



37558-1 DISTURBULATOR ASS'Y.(INCLUDES)
37559 CAP & BEARING ASS'Y.-



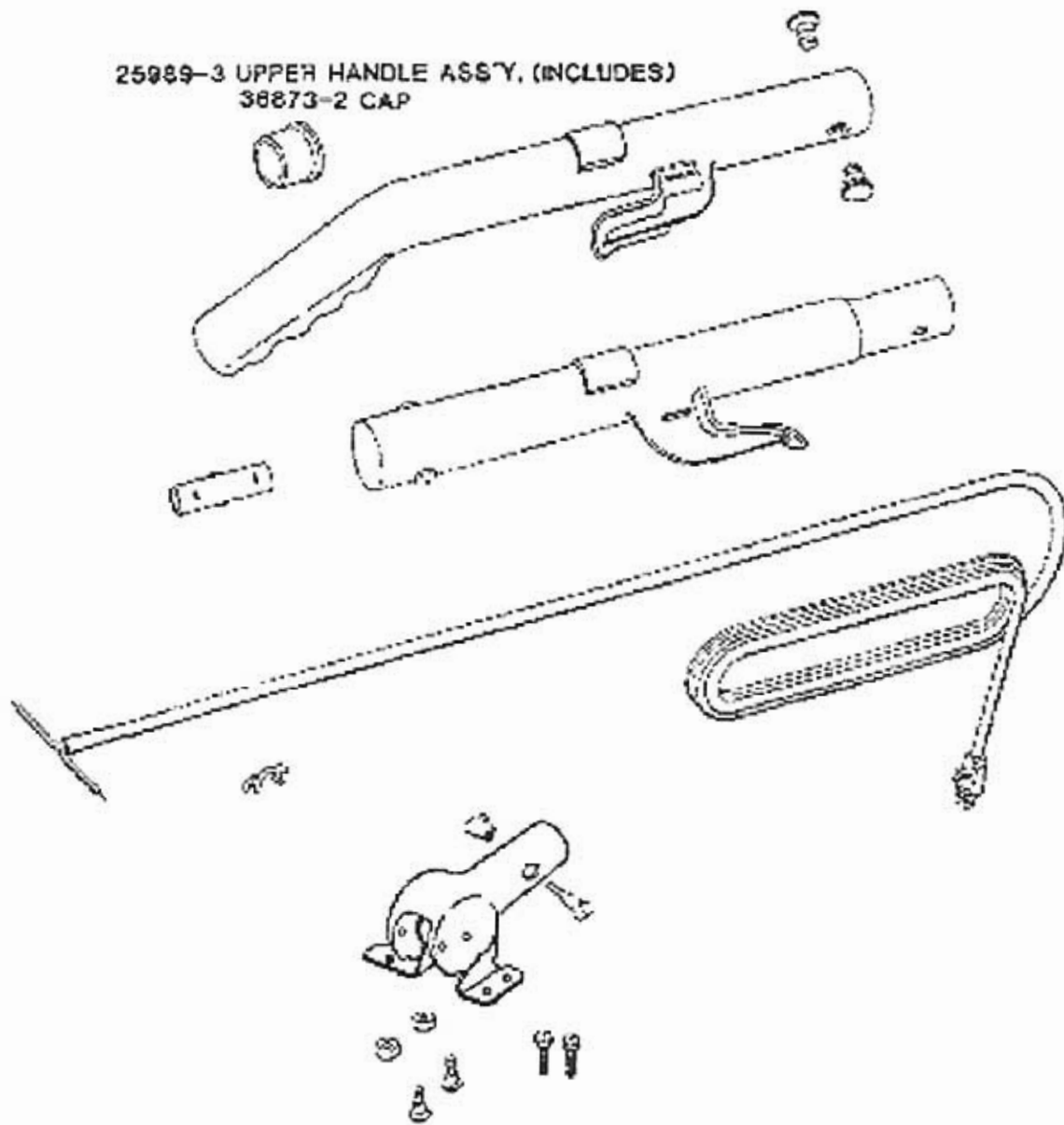
25922-1 BOTTOM PLATE (INCLUDES)
46538 GASKET



PARTS3 - 1485B

Ref #	Part	Description	Comments	Qty
1	25922-1	BOTTOM PLATE ASSEMBLY		
2	35858-1	Discontinued, use 35858-2		
3	36999-15	GUARD - FURNITURE		
4	37558-1	DISTURBULATOR ASSY - CART		
5	37559	CAP & BEARING ASSY		
6	46538	TAPE-FOAM (use 46538-4)		
7	47562	AXLE - REAR		
8	53076-2	SPRING & AXLE PACKAGE (6)		
9	53111	CLIP PACKAGE (5)		
10	53238-11	SCREW PACKAGE		

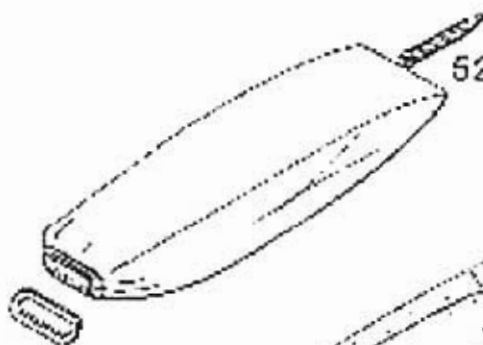
PARTS4 - 1485B



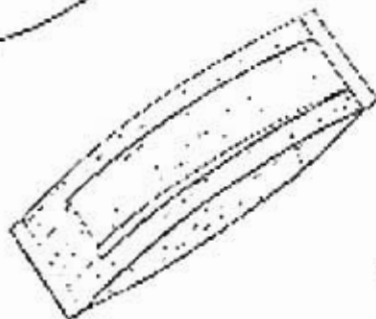
PARTS4 - 1485B

Ref #	Part	Description	Comments	Qty
1	25988-2	CONNECTOR - HANDLE TUBE		
2	25989-3	HANDLE ASSEMBLY (UPPER)		
3	34732-10	CORD - LOW LEAD (18 GA)		
4	36873-2	CAP - HANDLE		
5	36984-2	HANDLE KIT - UPRIGHT		
6	52363-2	HANDLE SOCKET & FOOT PEDA		
7	53080-1	PIN - SNAP PACKAGE (5)		
8	53145	BOLT PACKAGE (10)		
9	53190-2	BUSHING - STRAIN RELIEF-P		
10	53198-1	HANDLE SCREW ASSY PACKAGE		
11	53238-13	SCREW PACKAGE		
12	EW14-102P	NUTS - PACKAGE 10		

PARTS5 - 1485B



52309 ADAPTER, SLEEVE &
GASKET ASS'Y. (INCLUDES)
55106 GASKET



55123A HARDWARE PKG.
1) 25988-2 HANDLE TUBE CONN.
4) 38874-2 SNAP PIN
2) EW126-10-10CC SCREW
1) 55468-1 HANDLE SCREW

NOT ILLUSTRATED
48410 GARTER SPRING
48801 TIE WIRE

PARTS5 - 1485B

Ref #	Part	Description	Comments	Qty
1	13450-27	ZIPPER BAG ASSEMBLY - PKG		
2	25988-2	CONNECTOR - HANDLE TUBE		
3	36874-2	Discontinued, use 53080-1		
4	47722	SPRING - BAG		
5	48410	SPRING - GARTER		
6	48801	WIRE - TIE		
7	52309	ADAPTER - BAG		
8	52320	PAPER BAG PKG ASSY STYLE		
9	55106	GASKET - BAG ADAPTER		
10	55123A	HARDWARE PACKAGE - UPRIGH		
11	55468-1	HANDLE SCREW ASSY PACKAGE		
12	EW126-10-10CC	SCREWS - PACKAGE 10		