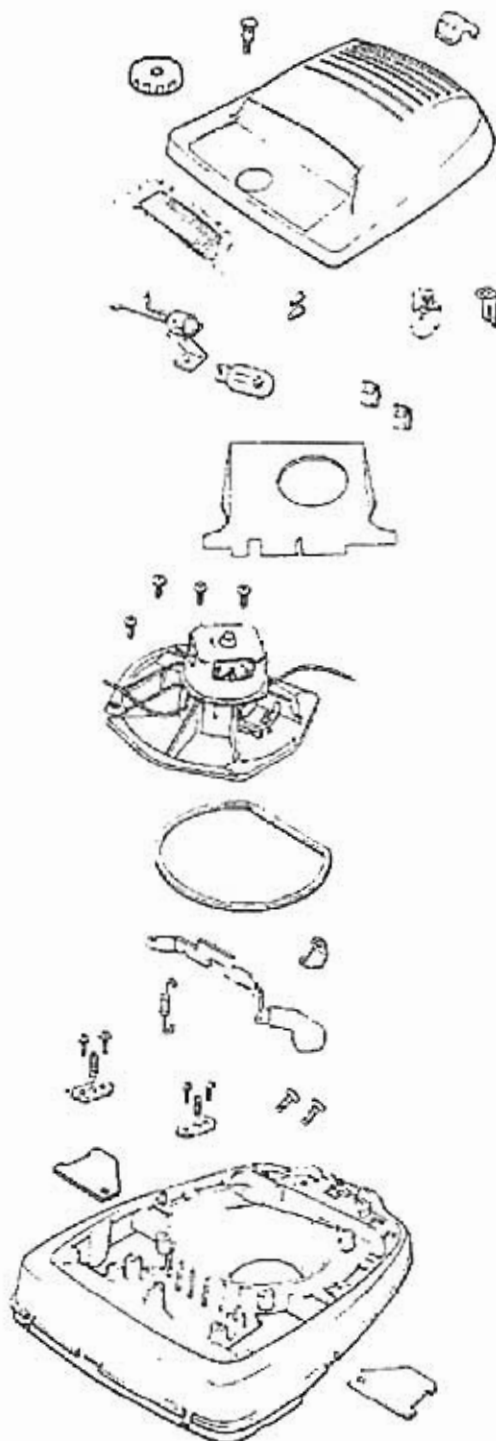


PARTS1 - 1485D



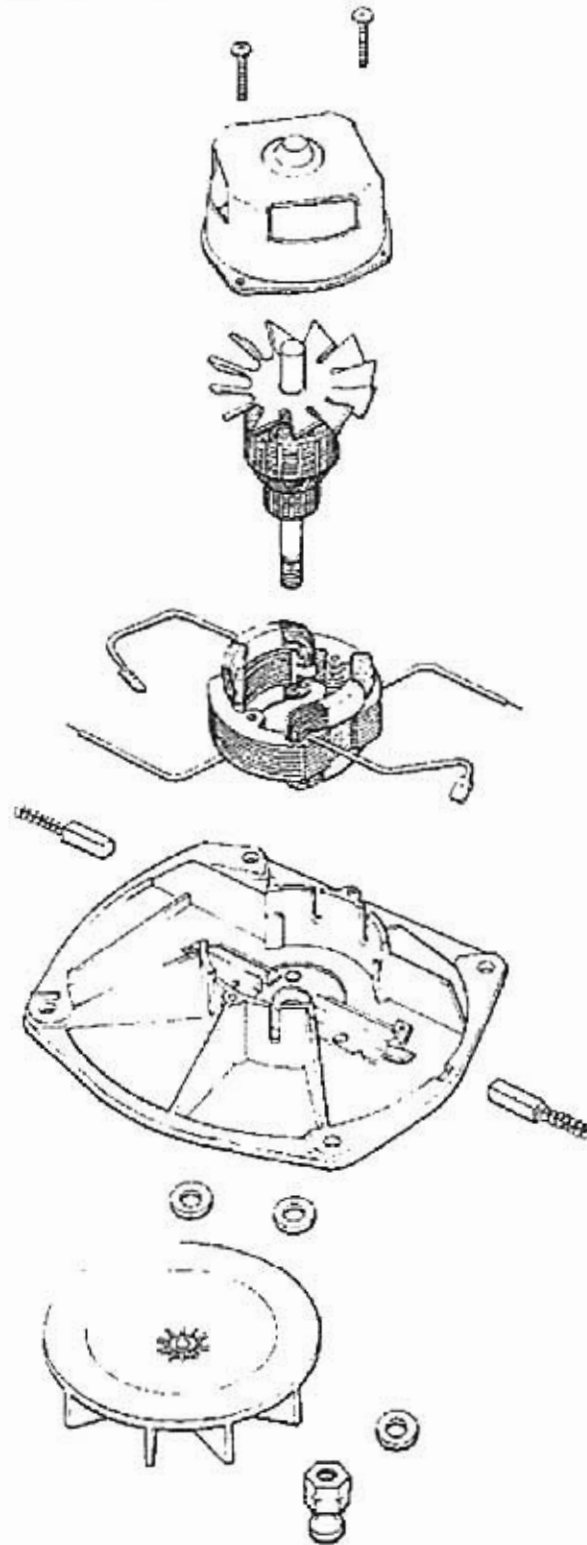
NOT ILLUSTRATED  
 24984A CAM (RH)  
 24985A CAM (LH)  
 53118 CAM RIVET  
 (PKG. OF 10)(2 USED)  
 53133 WASHER  
 (PKG. OF 10)(2 USED)

## PARTS1 - 1485D

Ref #	Part	Description	Comments	Qty
1	13738-5	SWITCH ASSEMBLY		
2	13751	LENS		
3	24834A-1	Discontinued, use 24834A-3		
4	24964A	CAM (RIGHT)		
5	24965A	CAM (LEFT)		
6	27091-1	BUTTON - SWITCH		
7	30517	GASKET - MOTOR SEAL		
8	36263	COVER - WHEEL		
9	37590	BRACKET - BUSHING		
10	37989	CLIP - SWITCH		
11	40009A	LAMP - HEADLIGHT		
12	49063-22	BASE ASSEMBLY - CARTONED		
13	53097	SPRING - FOOT PEDAL PKG (		
14	53118	RIVET - SHOULDER PACKAGE		
15	53133	STL WASHERS-PKG (48495 (NLA)		
16	53140	CLAMP & SCREW ASSY PKG		
17	53143	SCREW PACKAGE (10)		
18	53214-1	WIRE SPLICE 5		
19	53228-7	SCREWS - PACKAGE 10		
20	53238-13	SCREW PACKAGE		
21	53238-17	SCREW PACKAGE		
22	55015	CLIP - WIRE		

PARTS2 - 1485D

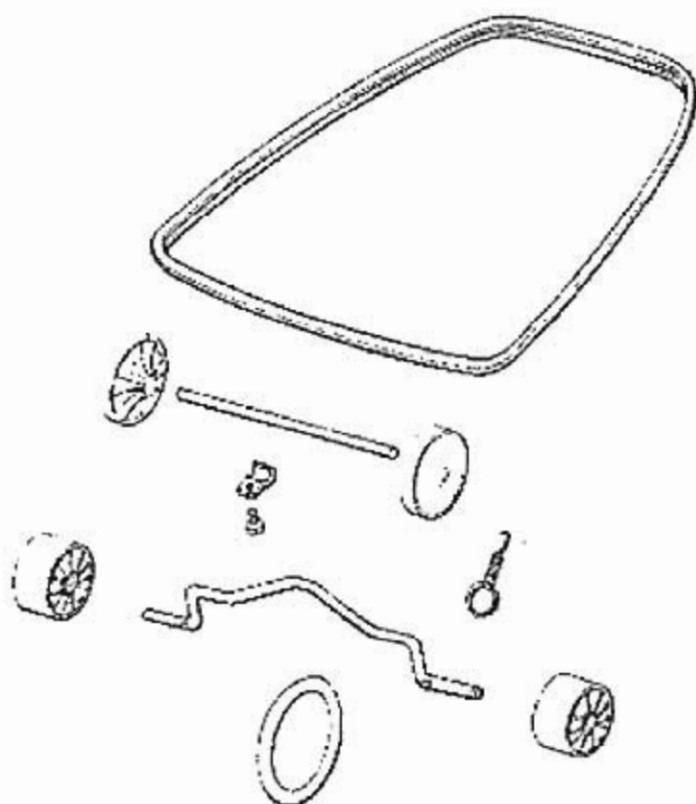
12605-10 MOTOR ASS'Y - COMPLETE



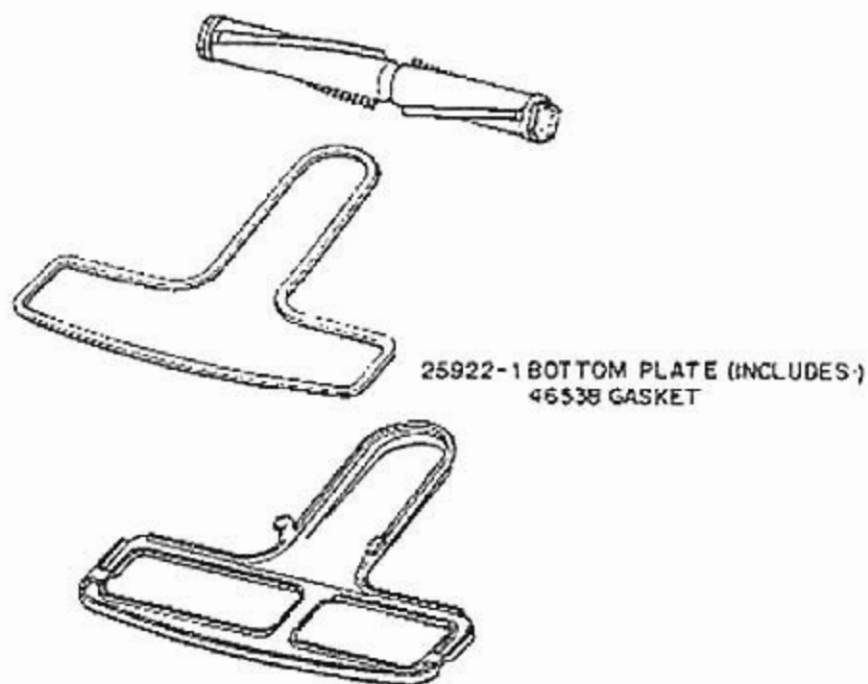
## PARTS2 - 1485D

Ref #	Part	Description	Comments	Qty
1	12988-1	FAN BLOWER - MOTOR		
2	25172A-1	MOTOR BRUSH ASSEMBLY		
3	26484	ARMATURE & FAN ASSY - PAC		
4	49507	PULLEY - MOTOR DRIVE		
5	53131-1	SCREW PACKAGE (10)		
6	53148	WASHER - FAN PACKAGE (10)		
7	53188-1	WASHER PACKAGE		

## PARTS3 - 1485D



37558-1 DISTURBULATOR ASS'Y. (INCLUDES)  
53241 CAP & BEARING ASS'Y. (PKG. OF 2)(2 USED)

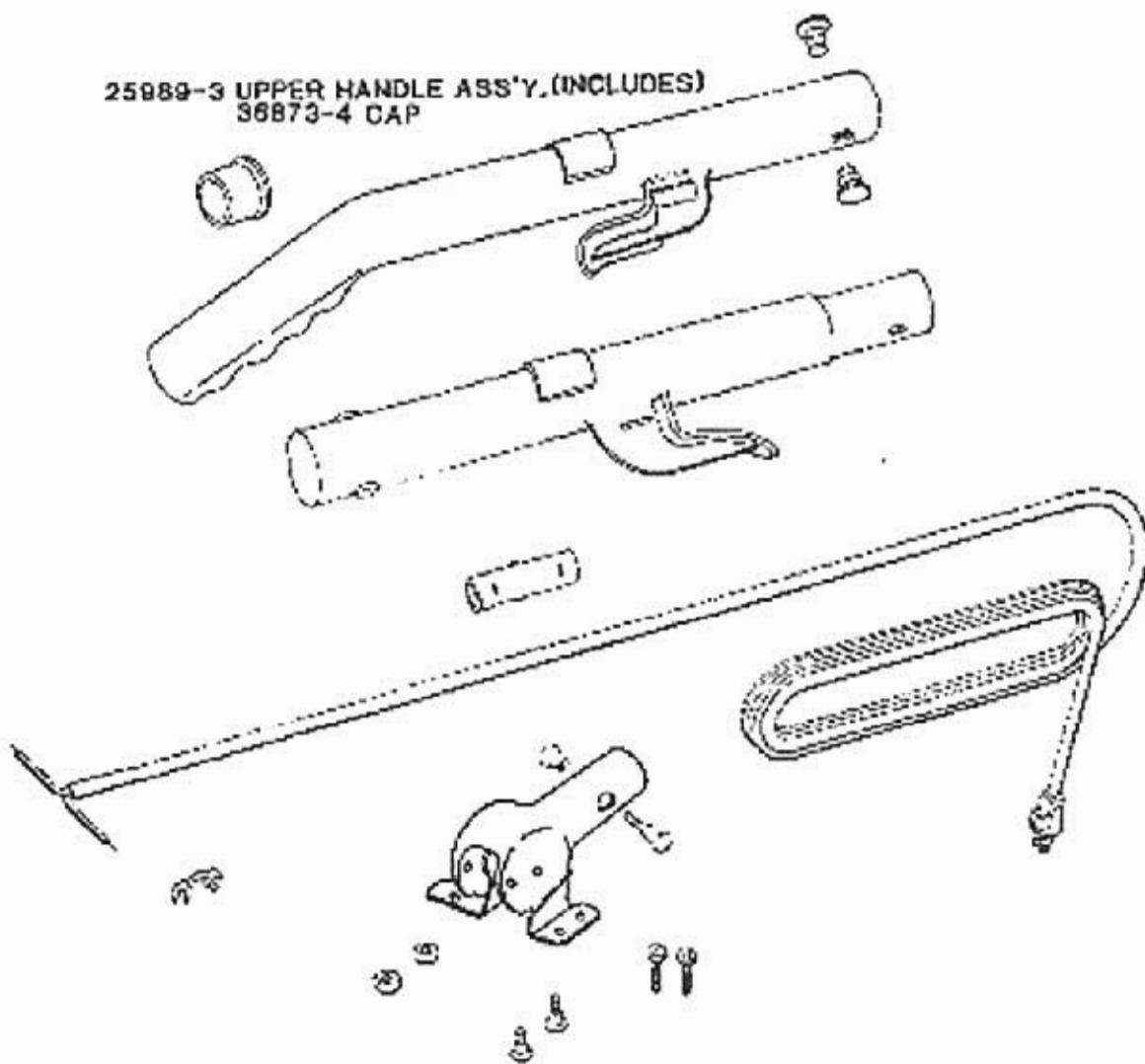


25922-1 BOTTOM PLATE (INCLUDES)  
46538 GASKET

## PARTS3 - 1485D

Ref #	Part	Description	Comments	Qty
1	25922-1	BOTTOM PLATE ASSEMBLY		
2	35858-1	Discontinued, use 35858-2		
3	35947A	AXLE - FRONT		
4	36999-4	GUARD - FURNITURE		
5	37558-1	DISTURBULATOR ASSY - CART		
6	46538	TAPE-FOAM (use 46538-4)		
7	47562	AXLE - REAR		
8	53076-2	SPRING & AXLE PACKAGE (6)		
9	53111	CLIP PACKAGE (5)		
10	53238-11	SCREW PACKAGE		
11	53241	CAP & BEARING ASSY		

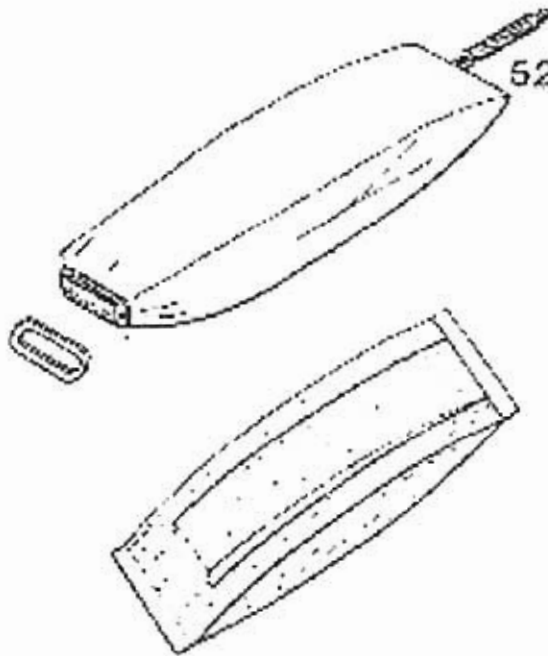
PARTS4 - 1485D



## PARTS4 - 1485D

Ref #	Part	Description	Comments	Qty
1	25988-2	CONNECTOR - HANDLE TUBE		
2	25989-3	HANDLE ASSEMBLY (UPPER)		
3	34732-14	CORD - LOW LEAD (18 GA)		
4	36873-4	CAP - HANDLE		
5	36984-2	HANDLE KIT - UPRIGHT		
6	52363-2	HANDLE SOCKET & FOOT PEDA		
7	53080-1	PIN - SNAP PACKAGE (5)		
8	53089-1	BUSHING & STRAIN RELIEF P		
9	53145	BOLT PACKAGE (10)		
10	53198-1	HANDLE SCREW ASSY PACKAGE		
11	53238-13	SCREW PACKAGE		
12	EW14-10ZP	NUTS - PACKAGE 10		

PARTS5 - 1485D



52309 ADAPTER, SLEEVE &  
GASKET ASS'Y. (INCLUDES)  
55108 GASKET

55123A HARDWARE PKG.

- 1) HANDLE TUBE CONNECTOR
- 1) HANDLE SCREW
- 4) SNAP PIN
- 2) SCREW

NOT ILLUSTRATED  
48410 GARTER SPRING  
48801 TIE WIRE

## PARTS5 - 1485D

Ref #	Part	Description	Comments	Qty
1	13450-27	ZIPPER BAG ASSEMBLY - PKG		
2	47722	SPRING - BAG		
3	48410	SPRING - GARTER		
4	48801	WIRE - TIE		
5	52309	ADAPTER - BAG		
6	52320	PAPER BAG PKG ASSY STYLE		
7	55106	GASKET - BAG ADAPTER		
8	55123A	HARDWARE PACKAGE - UPRIGH		