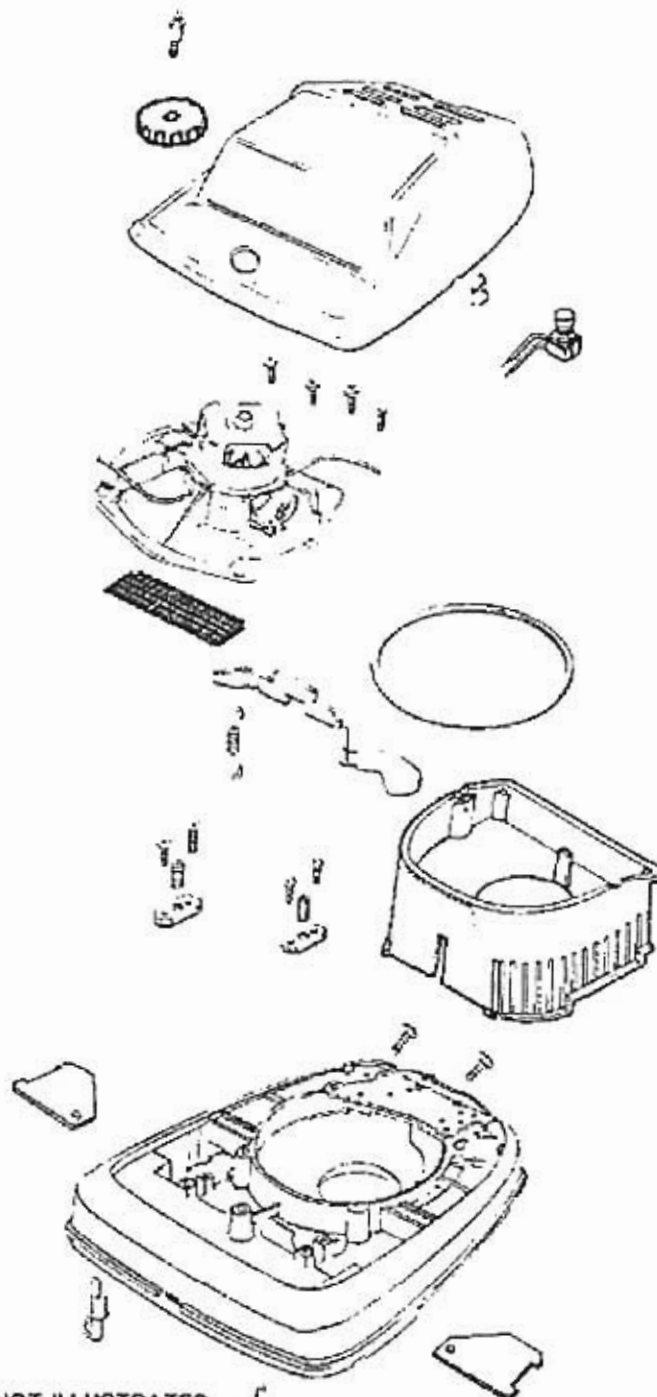


PARTS1 - 1495A



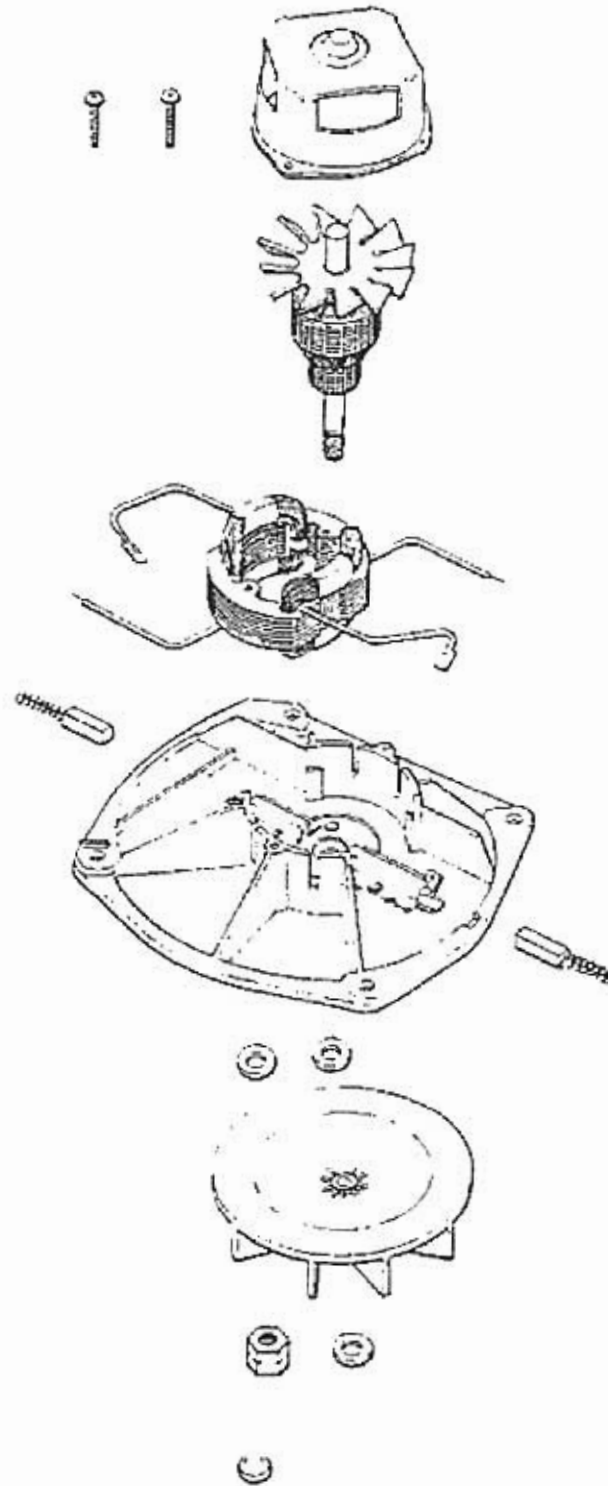
NOT ILLUSTRATED  
 24964A CAM (RH)  
 24965A CAM (LH)  
 53118 CAM RIVET  
 (PKG. OF 10)(2 USED)  
 53133 WASHER  
 (PKG. OF 10)(2 USED)

## PARTS1 - 1495A

Ref #	Part	Description	Comments	Qty
1	24834A-1	Discontinued, use 24834A-3		
2	24964A	CAM (RIGHT)		
3	24965A	CAM (LEFT)		
4	30517	GASKET - MOTOR SEAL		
5	36263	COVER - WHEEL		
6	36471A	MOTOR FAN SHIELD		
7	38053-2	KNOB ASSEMBLY		
8	53097	SPRING - FOOT PEDAL PKG (		
9	53117	SPRING - HOOD PACKAGE (10		
10	53118	RIVET - SHOULDER PACKAGE		
11	53133	STL WASHERS-PKG (48495 (NLA)		
12	53140	CLAMP & SCREW ASSY PKG		
13	53143	SCREW PACKAGE (10)		
14	53214-1	WIRE SPLICE 5		
15	53228-7	SCREWS - PACKAGE 10		
16	53238-13	SCREW PACKAGE		
17	53238-17	SCREW PACKAGE		
18	53349-4	MOTOR ASSEMBLY - CARTONED		
19	53458-11	BASE ASSY - CARTONED		
20	54151-2	Discontinued, use 13738-5		
21	54266-3	HOOD & NAMEPLATE ASSY - P		
22	55446	NUT - HEX		

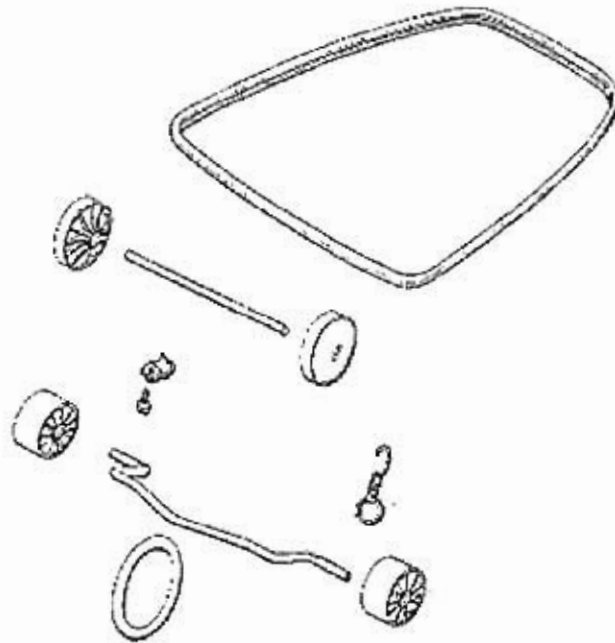
PARTS2 - 1495A

53349-4 MOTOR ASS'Y - COMPLETE



## PARTS2 - 1495A

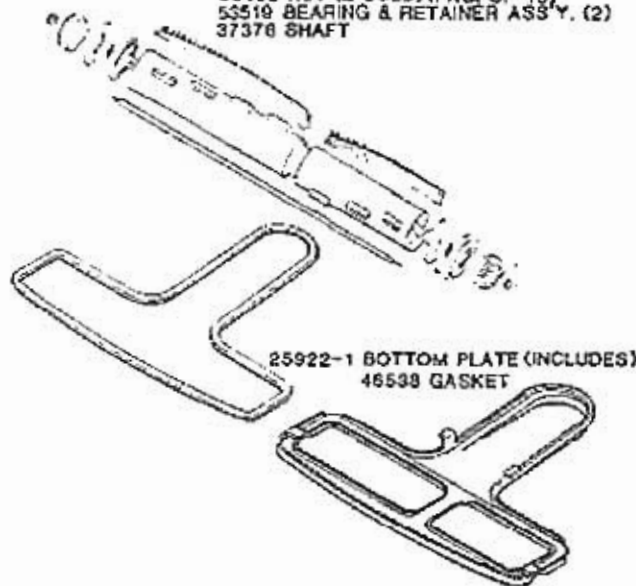
Ref #	Part	Description	Comments	Qty
1	12988-1	FAN BLOWER - MOTOR		
2	25172A	MOTOR BRUSH ASSEMBLY		
3	49507	PULLEY - MOTOR DRIVE		
4	53131-1	SCREW PACKAGE (10)		
5	53148	WASHER - FAN PACKAGE (10)		
6	53188-1	WASHER PACKAGE		
7	53349-4	MOTOR ASSEMBLY - CARTONED		
8	53534	MOTOR ASSEMBLY - CARTONED		
9	54086	ARMATURE AND FAN ASSY. (NLA)		
10	54171-1	MOTOR BASE ASSEMBLY		
11	54172	FAN END HSG		



**53398-1 DISTURBULATOR ASS'Y.**

**INCLUDES**

- 53167 SHAFT WASHER (2 USED) (PKG. OF 10)
- 62282-3 BRISTLE STRIP SET
- 13236-1 DISTURBULATOR TUBE
- 53183 FELT WASHER (2 USED) (PKG. OF 10)
- 25759A DISTURBULATOR CAP (2)
- 53158 NUT (2 USED) (PKG. OF 10)
- 53519 BEARING & RETAINER ASS'Y. (2)
- 37378 SHAFT

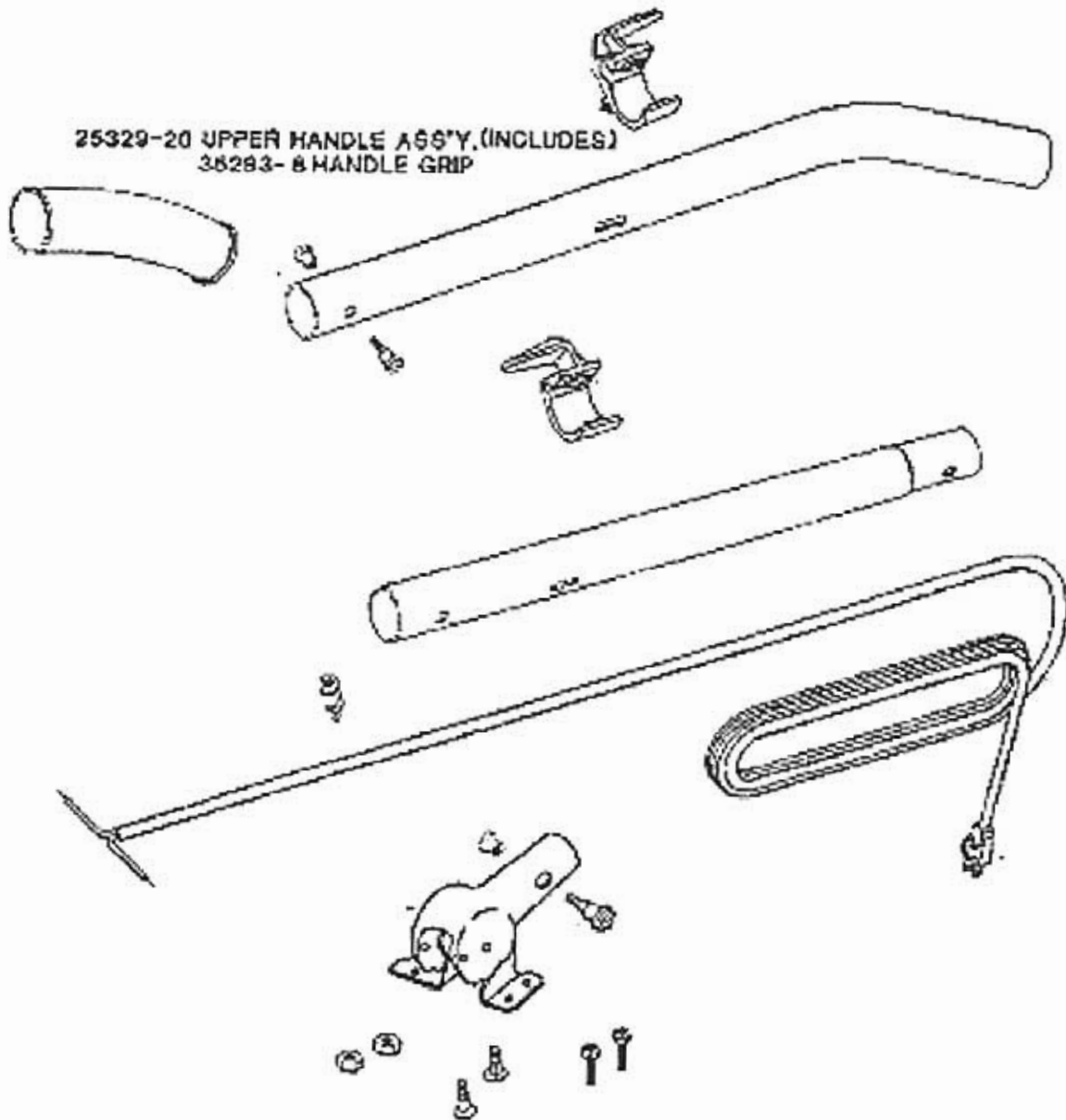


- 25922-1 BOTTOM PLATE (INCLUDES)
- 46538 GASKET

## PARTS3 - 1495A

Ref #	Part	Description	Comments	Qty
1	13236	TUBE - DISTURBULATOR		
2	13236-1	TUBE - DISTURBULATOR		
3	25759A	CAP - DISTURBULATOR		
4	25922-1	BOTTOM PLATE ASSEMBLY		
5	35858-1	Discontinued, use 35858-2		
6	37378	DIST SHAFT & BRG ASSY - C		
7	46538	TAPE-FOAM (use 46538-4)		
8	47562	AXLE - REAR		
9	52282-3	Discontinued, use 52282-4		
10	53076-1	SPRING & AXLE PACKAGE (6)		
11	53111	CLIP PACKAGE (5)		
12	53158	LOCK NUT PACKAGE		
13	53167	WASHER - SHAFT PACKAGE		
14	53238-11	SCREW PACKAGE		
15	53398-1	DIST ASSY - Subs to 53270		
16	53519	DIST SHAFT & BRG ASSY - C		

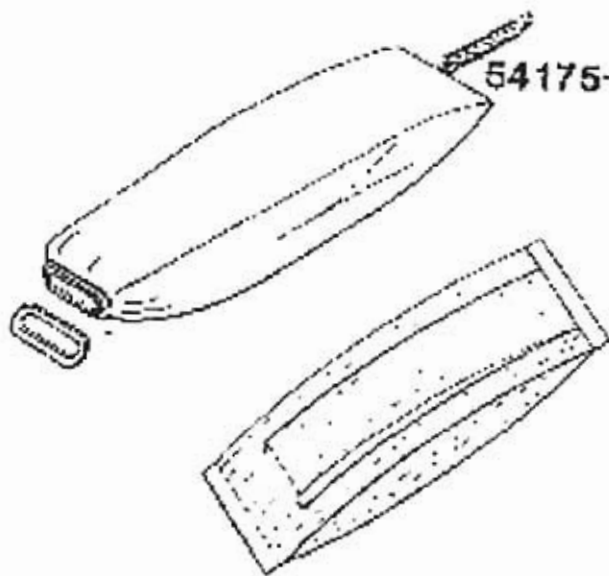
PARTS4 - 1495A



## PARTS4 - 1495A

Ref #	Part	Description	Comments	Qty
1	12637-8	TUBE - HANDLE (LOWER)		
2	25329-20	HDLE ASSY-UPPER- (12636-5		
3	27137-2	HANDLE SOCKET ASSEMBLY		
4	34732-25	CORD - LOW LEAD (18 GA)		
5	35293-8	GRIP - HANDLE		
6	53089-1	BUSHING & STRAIN RELIEF P		
7	53145	BOLT PACKAGE (10)		
8	53198-1	HANDLE SCREW ASSY PACKAGE		
9	53238-13	SCREW PACKAGE		
10	53747-2	CORD RETAINER PACKAGED		
11	EW14-10ZP	NUTS - PACKAGE 10		

PARTS5 - 1495A



54175-1 ADAPTER, SLEEVE &  
GASKET ASS'Y (INCLUDES)  
55106 GASKET

57674 HARDWARE PKG.  
1) CORD RETAINER SET  
2) HANDLE SCREW  
2) BAG SCREW

NOT ILLUSTRATED  
48410 GARTER SPRING  
48801 TIE WIRE

## PARTS5 - 1495A

Ref #	Part	Description	Comments	Qty
1	47722	SPRING - BAG		
2	48410	SPRING - GARTER		
3	48801	WIRE - TIE		
4	52320	PAPER BAG PKG ASSY STYLE		
5	53977-15	BAG ASSEMBLY - PACKAGED		
6	54175-1	ADAPTER - BAG		
7	55106	GASKET - BAG ADAPTER		
8	57674	HARDWARE PACKAGE - UPRIGH		