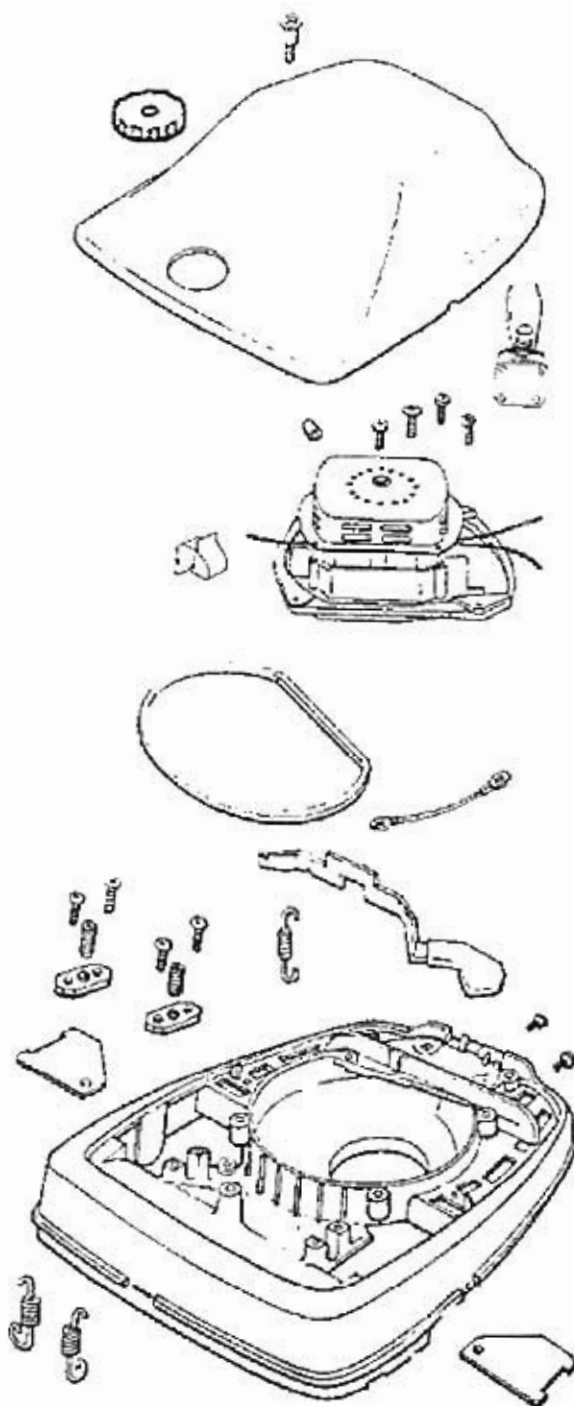


PARTS1 - 2034B



NOT ILLUSTRATED
24964A CAM (RH)
24965A CAM (LH)
53133 WASHER(PKG. OF 10)(2 USED)
53118 RIVET(PKG. OF 10)(2 USED)

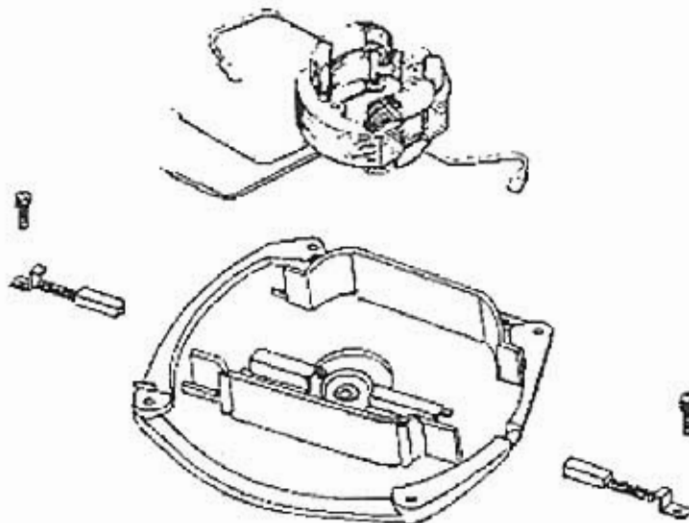
PARTS1 - 2034B

Ref #	Part	Description	Comments	Qty
1	13738-5	SWITCH ASSEMBLY		
2	24834A-1	Discontinued, use 24834A-3		
3	24964A	CAM (RIGHT)		
4	24965A	CAM (LEFT)		
5	26307	TIE - CABLE (PURCHASED)		
6	30517	GASKET - MOTOR SEAL		
7	36263	COVER - WHEEL		
8	38053-1	KNOB ASSEMBLY		
9	49063-23	BASE ASSEMBLY - CARTONED		
10	53097	SPRING - FOOT PEDAL PKG (
11	53117	SPRING - HOOD PACKAGE (10		
12	53118	RIVET - SHOULDER PACKAGE		
13	53133	STL WASHERS-PKG (48495 (NLA)		
14	53140	CLAMP & SCREW ASSY PKG		
15	53143	SCREW PACKAGE (10)		
16	53214-1	WIRE SPLICE 5		
17	53228-7	SCREWS - PACKAGE 10		
18	53238-13	SCREW PACKAGE		
19	53238-17	SCREW PACKAGE		
20	55296	WIRE & TERMINAL ASSEMBLY		
21	55446	NUT - HEX		

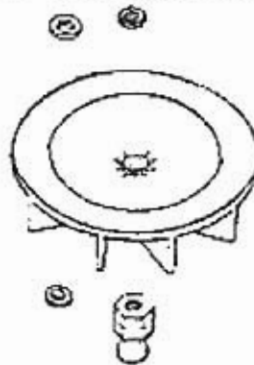
PARTS2 - 2034B



25868-5 ARMATURE & FAN ASS'Y.
25860 MOTOR FAN



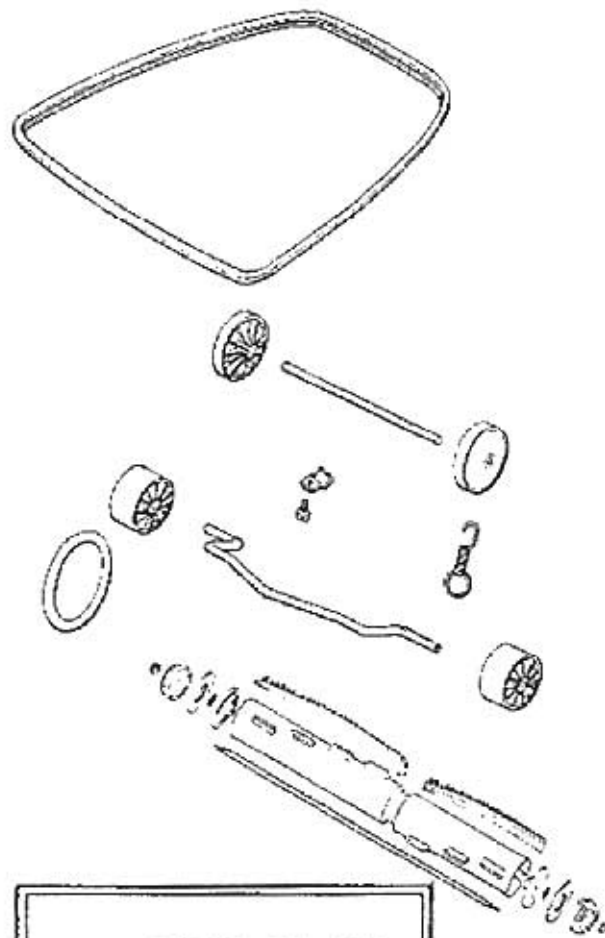
36730 MOTOR BASE ASS'Y.
42875 BEARING RETAINER ASS'Y.
51108A-10 TUBULAR RIVET



PARTS2 - 2034B

Ref #	Part	Description	Comments	Qty
1	12988-1	FAN BLOWER - MOTOR		
2	13355-1	FIELD ASSEMBLY - CARTONED		
3	26055	MOTOR BRUSH ASSY		
4	36993	PULLEY - MOTOR DRIVE/36993-1		
5	42875	BEARING RETAINER ASSY-W/L		
6	48416-3	SCREW - TORX PAN HD		
7	49017	WASHER - FAN PACKAGE (10)		
8	51108A-10	RIVET PACKAGE		
9	51126A-31	WASHER PACKAGE		

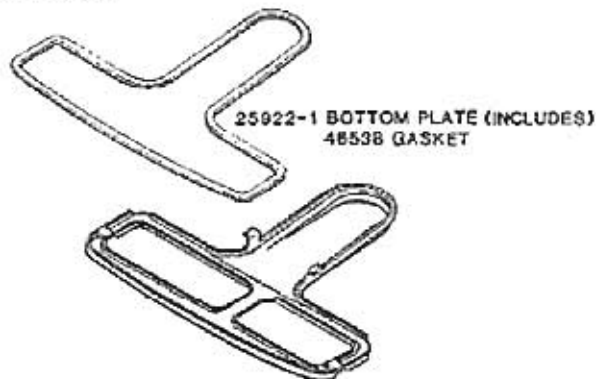
PARTS3 - 2034B



25763-1 DISTURBULATOR ASS'Y.

INCLUDES

53167 SHAFT WASHER (2 USED) PKG. OF 10)
 62282-3 BRISTLE STRIP SET
 13256-1 DISTURBULATOR TUBE
 53183 FELT WASHER (2 USED) PKG. OF 10)
 25759A DISTURBULATOR CAP (2)
 63158 NUT (2 USED) (PKG. OF 10)
 38070 BEARING & RETAINER ASS'Y. (2)
 37378 SHAFT



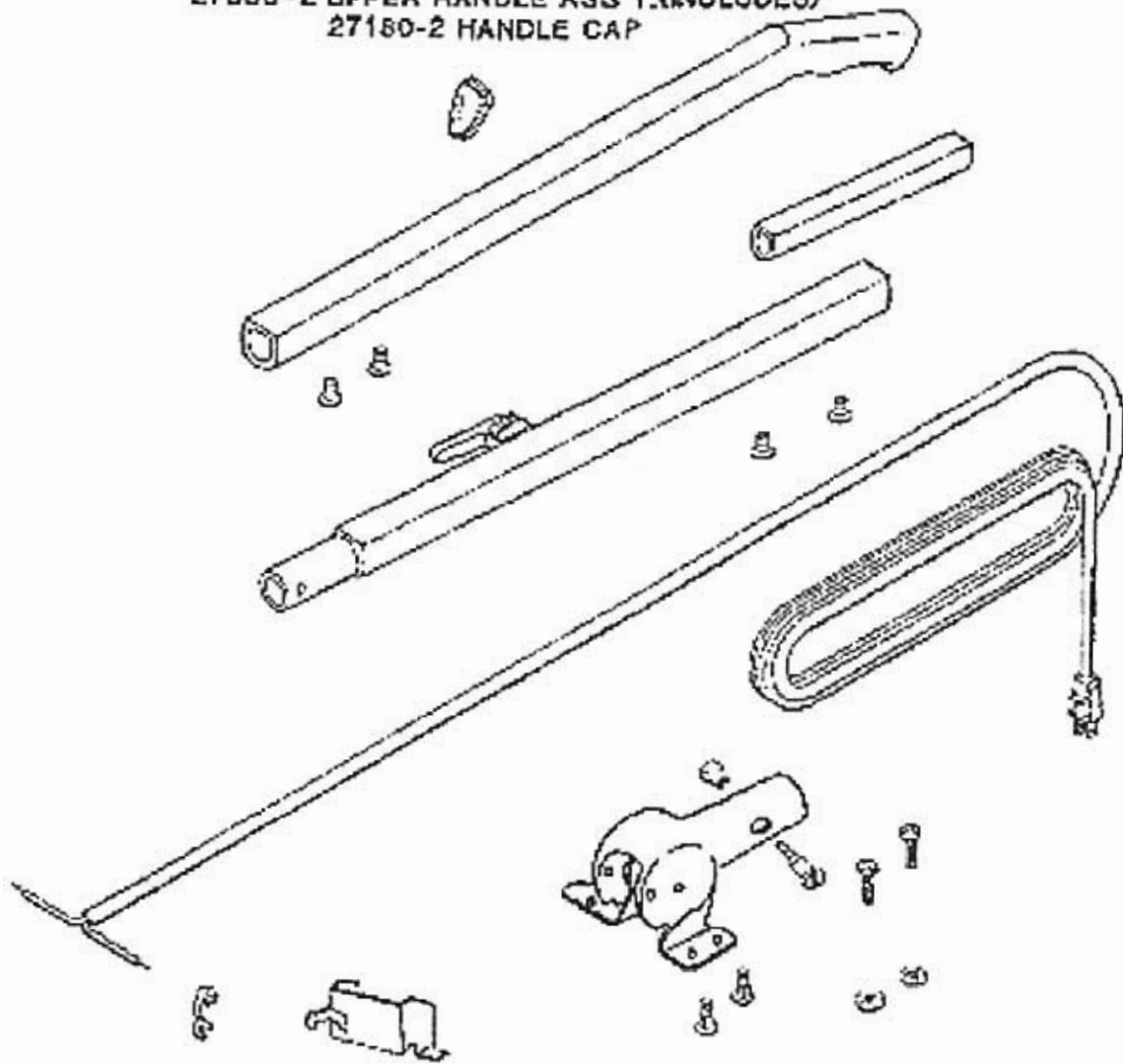
25922-1 BOTTOM PLATE (INCLUDES)
 48538 GASKET

PARTS3 - 2034B

Ref #	Part	Description	Comments	Qty
1	13236-1	TUBE - DISTURBULATOR		
2	25759A	CAP - DISTURBULATOR		
3	25763-1	DISTURBULATOR ASSY - CART		
4	25922-1	BOTTOM PLATE ASSEMBLY		
5	35858-1	Discontinued, use 35858-2		
6	35947A	AXLE - FRONT		
7	36999-4	GUARD - FURNITURE		
8	37378	DIST SHAFT & BRG ASSY - C		
9	46538	TAPE-FOAM (use 46538-4)		
10	47562	AXLE - REAR		
11	52282-3	Discontinued, use 52282-4		
12	53076-2	SPRING & AXLE PACKAGE (6)		
13	53111	CLIP PACKAGE (5)		
14	53158	LOCK NUT PACKAGE		
15	53167	WASHER - SHAFT PACKAGE		
16	53238-11	SCREW PACKAGE		
17	52100A	BELT PKG ASSY (UPRIGHT)		

PARTS4 - 2034B

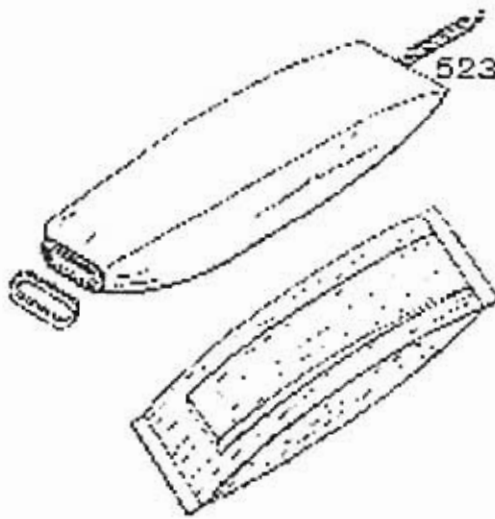
**27036-2 UPPER HANDLE ASS'Y.(INCLUDES)
27180-2 HANDLE CAP**



PARTS4 - 2034B

Ref #	Part	Description	Comments	Qty
1	01681-2	HANDLE - LOWER		
2	26659-1	CONNECTOR - HANDLE		
3	27036-2	HANDLE ASSY-UP use (54267-2)		
4	27137-1	HANDLE SOCKET & FOOT PEDA		
5	27180-2	Discontinued, use 27036-2		
6	34732-14	CORD - LOW LEAD (18 GA)		
7	37157	SHIELD-HDLE SOCKET (NLA)		
8	37688-3	SNAP PIN - PACKAGED		
9	53089-1	BUSHING & STRAIN RELIEF P		
10	53145	BOLT PACKAGE (10)		
11	53198-1	HANDLE SCREW ASSY PACKAGE		
12	53238-13	SCREW PACKAGE		
13	EW14-10ZP	NUTS - PACKAGE 10		

PARTS5 - 2034B



52309 ADAPTER, SLEEVE &
GASKET ASS'Y. (INCLUDES)
55106 GASKET

57062A HARDWARE PKG.

- 1) 25988-2 HDLE. TUBE CONNECTOR
- 1) 55468-1 HDLE. SCREW ASS'Y.
- 2) EW126-10-10CC SCREW
- 4) 36874-5 SNAP PIN

NOT ILLUSTRATED

48410 GARTER SPRING
48801 TIE WIRE

PARTS5 - 2034B

Ref #	Part	Description	Comments	Qty
1	25988-2	CONNECTOR - HANDLE TUBE		
2	36874-5	PIN - SNAP PACKAGE (5)		
3	47722	SPRING - BAG		
4	48410	SPRING - GARTER		
5	48801	WIRE - TIE		
6	52309	ADAPTER - BAG		
7	52320	PAPER BAG PKG ASSY STYLE		
8	53977-5	BAG ASSEMBLY - PACKAGED		
9	55106	GASKET - BAG ADAPTER		
10	55468-1	HANDLE SCREW ASSY PACKAGE		
11	57062A	HARDWARE PKG (NLA)		
12	EW126-10-10CC	SCREWS - PACKAGE 10		