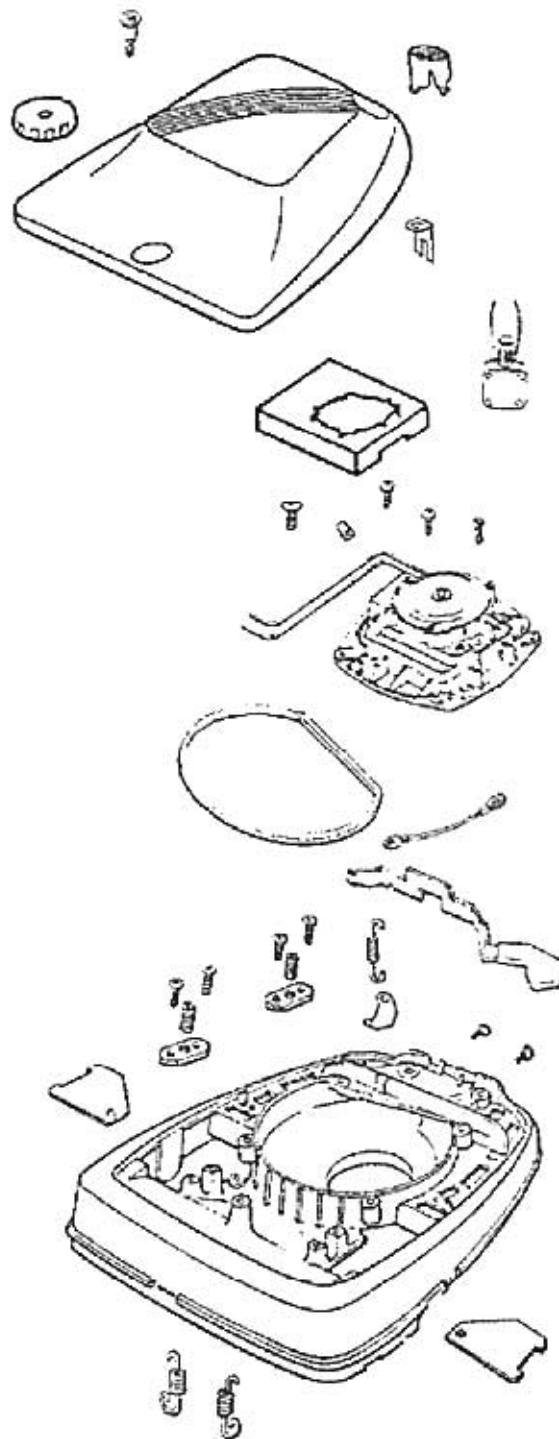


PARTS1 - 2034E

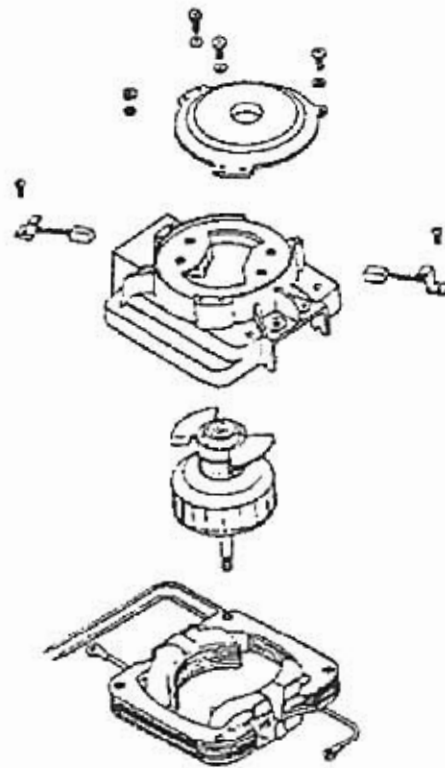


NOT ILLUSTRATED  
 24964A CAM (RH)  
 24965A CAM (LH)  
 53133 WASHER (PKG. OF 10) (2 USED)  
 53118 RIVET (PKG. OF 10) (2 USED)

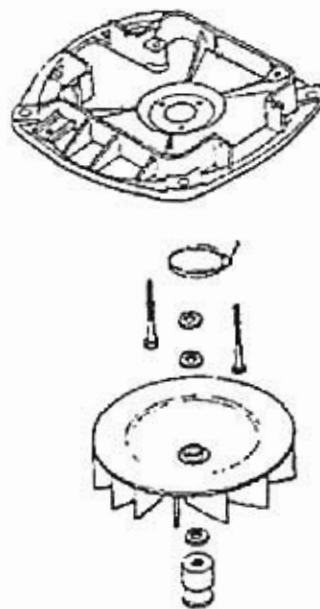
## PARTS1 - 2034E

Ref #	Part	Description	Comments	Qty
1	14660-1	BUTTON - SWITCH		
2	24834A-1	Discontinued, use 24834A-3		
3	24964A	CAM (RIGHT)		
4	24965A	CAM (LEFT)		
5	30517	GASKET - MOTOR SEAL		
6	36263	COVER - WHEEL		
7	37590	BRACKET - BUSHING		
8	37989	CLIP - SWITCH		
9	38053-1	KNOB ASSEMBLY		
10	38067	SEPARATOR ASSEMBLY		
11	53097	SPRING - FOOT PEDAL PKG (		
12	53117	SPRING - HOOD PACKAGE (10		
13	53118	RIVET - SHOULDER PACKAGE		
14	53133	STL WASHERS-PKG (48495 (NLA)		
15	53140	CLAMP & SCREW ASSY PKG		
16	53143	SCREW PACKAGE (10)		
17	53214-1	WIRE SPLICE 5		
18	53228-7	SCREWS - PACKAGE 10		
	53238-1	SCREW PACKAGE		
20	53238-13	SCREW PACKAGE		
21	53238-14	SCREW PACKAGE		
22	53466-12	BASE ASSEMBLY - CARTONED		
23	54151-2	Discontinued, use 13738-5		
24	54177	WIRE & TERMINAL ASSY		
25	54314-1	HOOD & GRAPHICS ASSY - PK		
26	54352-3	MOTOR ASSEMBLY - PACKAGED		
27	55446	NUT - HEX		

PARTS2 - 2034E



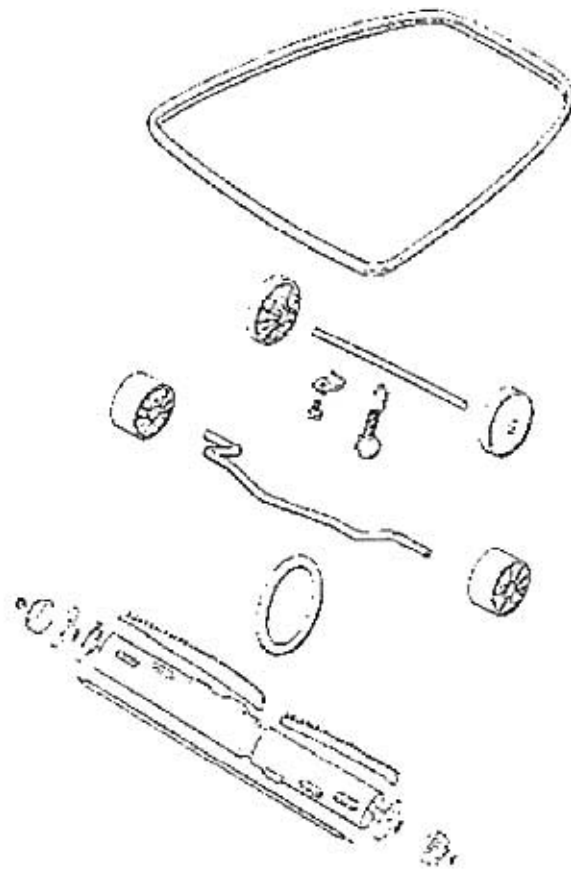
54169-1 MOTOR BASE ASS'Y.  
42875 BEARING & RETAINER  
53088-1 BEARING (PKG. OF 5)  
53187-1 RIVET (PKG. OF 10)



## PARTS2 - 2034E

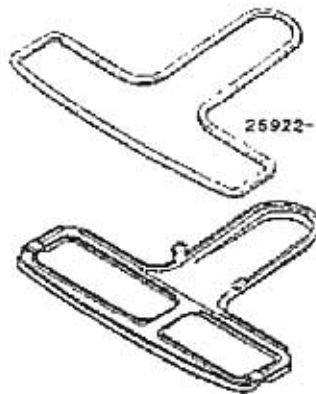
Ref #	Part	Description	Comments	Qty
1	12988	FAN BLOWER - MOTOR		
2	20217E	RETAINER - UPPER BEARING		
3	30474A	FAN - MOTOR COOLING		
4	30478	MOTOR BRUSH ASSEMBLY		
5	37012-2	PULLEY - MOTOR DRIVE		
6	42875	BEARING RETAINER ASSY-W/L		
7	53088-1	BALL BEARING - PACKAGE		
8	53138	SCREWS - PACKAGE 10		
9	53142	SCREW PACKAGE (10)		
10	53148	WASHER - FAN PACKAGE (10)		
11	53187-1	RIVET PACKAGE		
12	53188-1	WASHER PACKAGE		
13	53213-4	NUTS - PACKAGE 10		
14	53219-2	SCREWS - PACKAGE 10		
15	53222-3	LOCKWASHERS - PACKAGE 10		
16	53441-2	FIELD ASSEMBLY - PACKAGED		
17	54169-1	MOTOR BASE ASSEMBLY		
18	54352-3	MOTOR ASSEMBLY - PACKAGED		
19	54395-4	ARMATURE, FAN & BRG ASSY-		
20	54395	MOTOR COVER ASSEMBLY - LA		
21	56802-2	TIE - CABLE (PURCHASED)		

PARTS3 - 2034E



53328-1 DISTURBULATOR ASS'Y.  
INCLUDES

- 53167 SHAFT WASHER (2 USED)(PKG. OF 10)
- 25759A DISTURBULATOR CAP (2)
- 53156 NUT (2 USED)(PKG. OF 10)
- 5336D BEARING & RETAINER ASS'Y. (2)
- 37378 SHAFT
- 13238-1 DISTURBULATOR TUBE
- 52282-3 BRISTLE STRIP SET



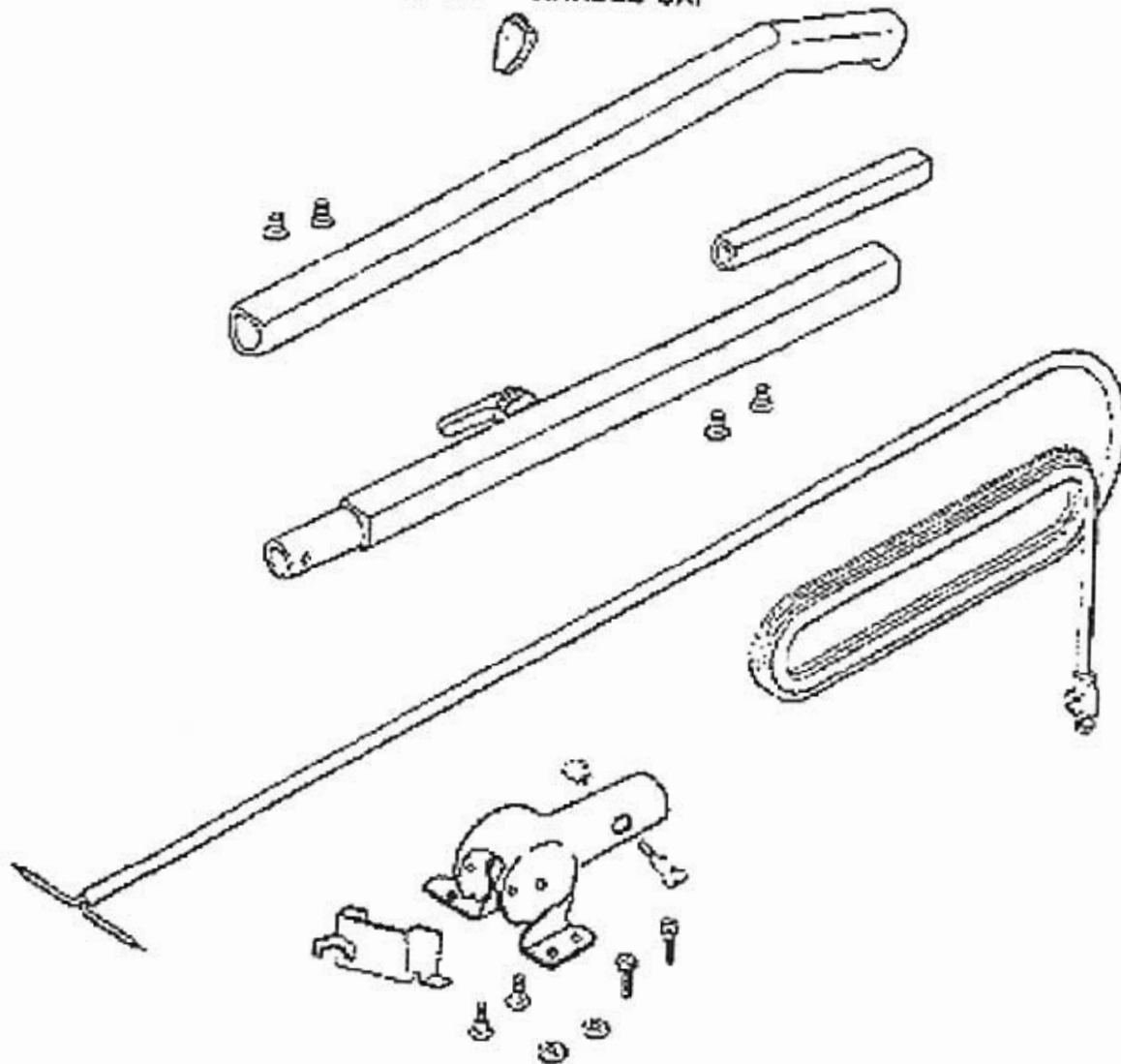
25922-1 BOTTOM PLATE (INCLUDES)  
46558 GASKET

## PARTS3 - 2034E

Ref #	Part	Description	Comments	Qty
1	13236-1	TUBE - DISTURBULATOR		
2	25759A	CAP - DISTURBULATOR		
3	25922-1	BOTTOM PLATE ASSEMBLY		
4	35858-1	Discontinued, use 35858-2		
5	35947A	AXLE - FRONT		
6	36999-4	GUARD - FURNITURE		
7	37378	DIST SHAFT & BRG ASSY - C		
8	46538	TAPE-FOAM (use 46538-4)		
9	47562	AXLE - REAR		
10	52282-3	Discontinued, use 52282-4		
11	53076-2	SPRING & AXLE PACKAGE (6)		
12	53111	CLIP PACKAGE (5)		
13	53156	SPACER PACKAGE		
14	53158	LOCK NUT PACKAGE		
15	53167	WASHER - SHAFT PACKAGE		
16	53238-11	SCREW PACKAGE		
17	53360	DISTURBULATOR REPAIR KIT		
18	53398-1	DIST ASSY - Subs to 53270		

PARTS4 - 2034E

27035-2 UPPER HANDLE ASS'Y. (INCLUDES)  
27180-2 HANDLE CAP

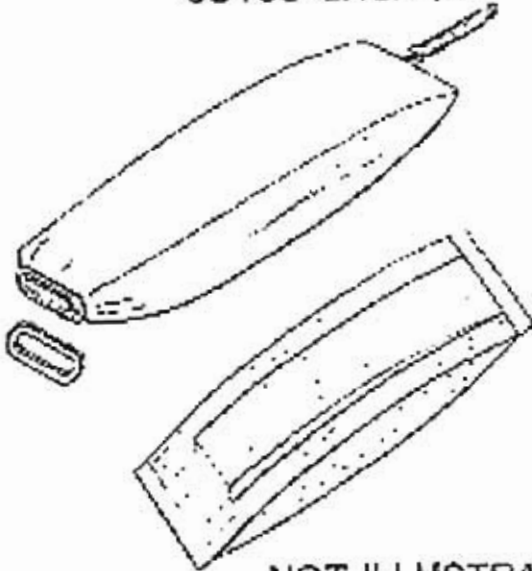


## PARTS4 - 2034E

Ref #	Part	Description	Comments	Qty
1	01681-2	HANDLE - LOWER		
2	26659-1	CONNECTOR - HANDLE		
3	27036-2	HANDLE ASSY-UP use (54267-2)		
4	27137-4			
5	27180-2	Discontinued, use 27036-2		
6	34732-25	CORD - LOW LEAD (18 GA)		
7	37157	SHIELD-HDLE SOCKET (NLA)		
8	53145	BOLT PACKAGE (10)		
9	53198-1	HANDLE SCREW ASSY PACKAGE		
10	53238-13	SCREW PACKAGE		
11	53536-3	SNAP PIN - PACKAGED		
12	EW14-102P	NUTS - PACKAGE 10		

PARTS5 - 2034E

54175-1 ADAPTER,SLEEVE & GASKET ASS'Y.(INCLUDES)  
55106 GASKET



57588 HARDWARE PKG.  
1-HANDLE TUBE CONNECTOR  
2-HANDLE SCREW ASS'Y.  
4-SNAP PIN  
2-SCREW

NOT ILLUSTRATED  
48410 GARTER SPRING  
48801 TIE WIRE

## PARTS5 - 2034E

Ref #	Part	Description	Comments	Qty
1	47722	SPRING - BAG		
2	48410	SPRING - GARTER		
3	48801	WIRE - TIE		
4	52320	PAPER BAG PKG ASSY STYLE		
5	53977-5	BAG ASSEMBLY - PACKAGED		
6	54175-1	ADAPTER - BAG		
7	55106	GASKET - BAG ADAPTER		
8	57588	HARDWARE PACKAGE - UPRIGH		