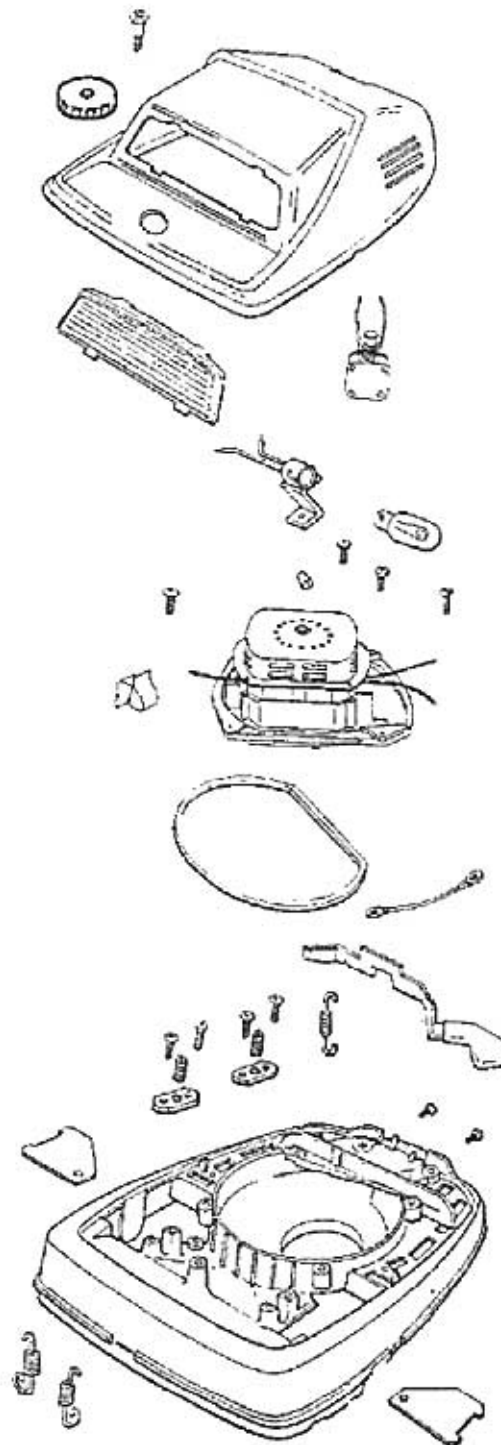


PARTS1 - 2059A



NOT ILLUSTRATED  
24964A CAM (RH)  
24965A CAM (LH)  
53133 WASHER(PKG. OF 10)(2 USED)  
53118 RIVET(PKG. OF 10)(2 USED)

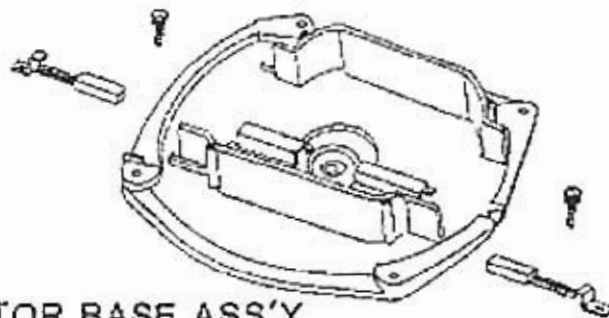
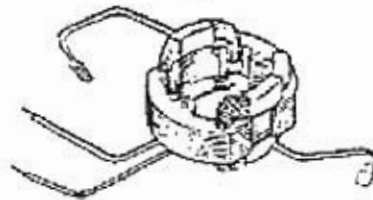
## PARTS1 - 2059A

Ref #	Part	Description	Comments	Qty
1	12601-8	LENS - HOOD		
2	13738-5	SWITCH ASSEMBLY		
3	24834A-1	Discontinued, use 24834A-3		
4	24964A	CAM (RIGHT)		
5	24965A	CAM (LEFT)		
6	26307	TIE - CABLÉ (PURCHASED)		
7	30517	GASKET - MOTOR SEAL		
8	35958A	HEADLAMP SOCKET ASSEMBLY		
9	36263	COVER - WHEEL		
10	38053-2	KNOB ASSEMBLY		
11	40009A	LAMP - HEADLIGHT		
12	49063-26	BASE ASSEMBLY - CARTONED		
13	53097	SPRING - FOOT PEDAL PKG (		
14	53117	SPRING - HOOD PACKAGE (10		
15	53118	RIVET - SHOULDER PACKAGE		
16	53133	STL WASHERS-PKG (48495 (NLA)		
17	53140	CLAMP & SCREW ASSY PKG		
18	53143	SCREW PACKAGE (10)		
19	53214-1	WIRE SPLICE 5		
20	53228-7	SCREWS - PACKAGE 10		
21	53238-13	SCREW PACKAGE		
22	53238-14	SCREW PACKAGE		
23	53238-17	SCREW PACKAGE		
24	55296	WIRE & TERMINAL ASSEMBLY		
25	55446	NUT - HEX		

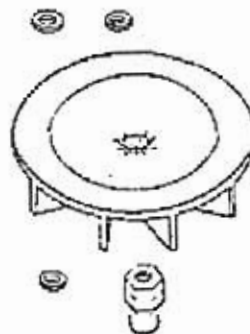
PARTS2 - 2059A



25868-5 ARMATURE & FAN ASS'Y.  
25860 MOTOR FAN



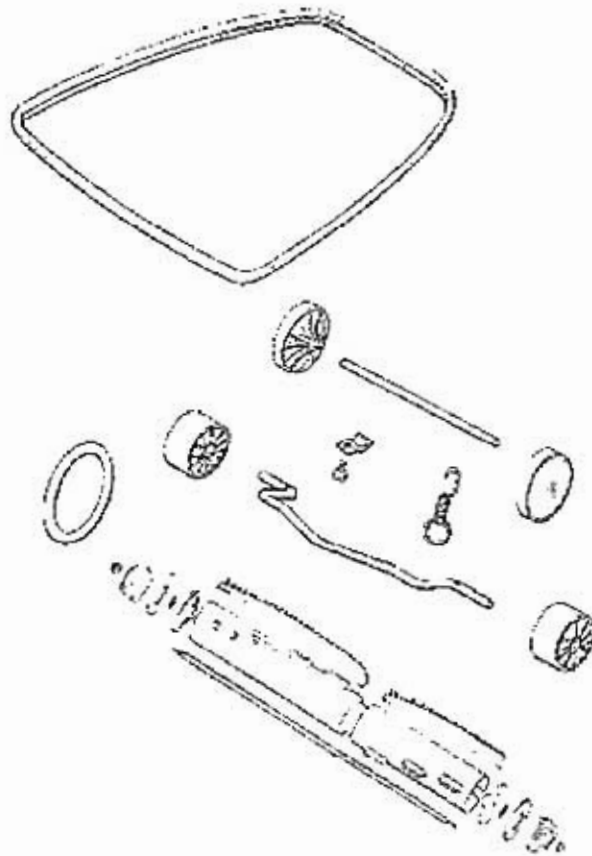
36730 MOTOR BASE ASS'Y.  
42875 BEARING RETAINER ASS'Y.  
51108A-10 TUBULAR RIVET



## PARTS2 - 2059A

Ref #	Part	Description	Comments	Qty
1	12988-1	FAN BLOWER - MOTOR		
2	13355-1	FIELD ASSEMBLY - CARTONED		
3	13746-1	COVER - MOTOR		
4	26055	MOTOR BRUSH ASSY		
5	42875	BEARING RETAINER ASSY-WL		
6	51108A-10	RIVET PACKAGE		
7	53131-1	SCREW PACKAGE (10)		
8	53148	WASHER - FAN PACKAGE (10)		
9	53188	WASHER PACKAGE		

PARTS3 - 2059A



**25763-1 DISTURBULATOR ASS'Y.**  
INCLUDES

- 53167 SHAFT WASHER (2 USED)(PKG. OF 10)
- 62282-3 BRISTLE STRIP SET
- 13236-1 DISTURBULATOR TUBE
- 53183 FELT WASHER (2 USED)(PKG. OF 10)
- 25750A DISTURBULATOR CAP (2)
- 53156 NUT (2 USED)(PKG. OF 10)
- 35070 BEARING & RETAINER ASS'Y. (2)
- 37378 SHAFT

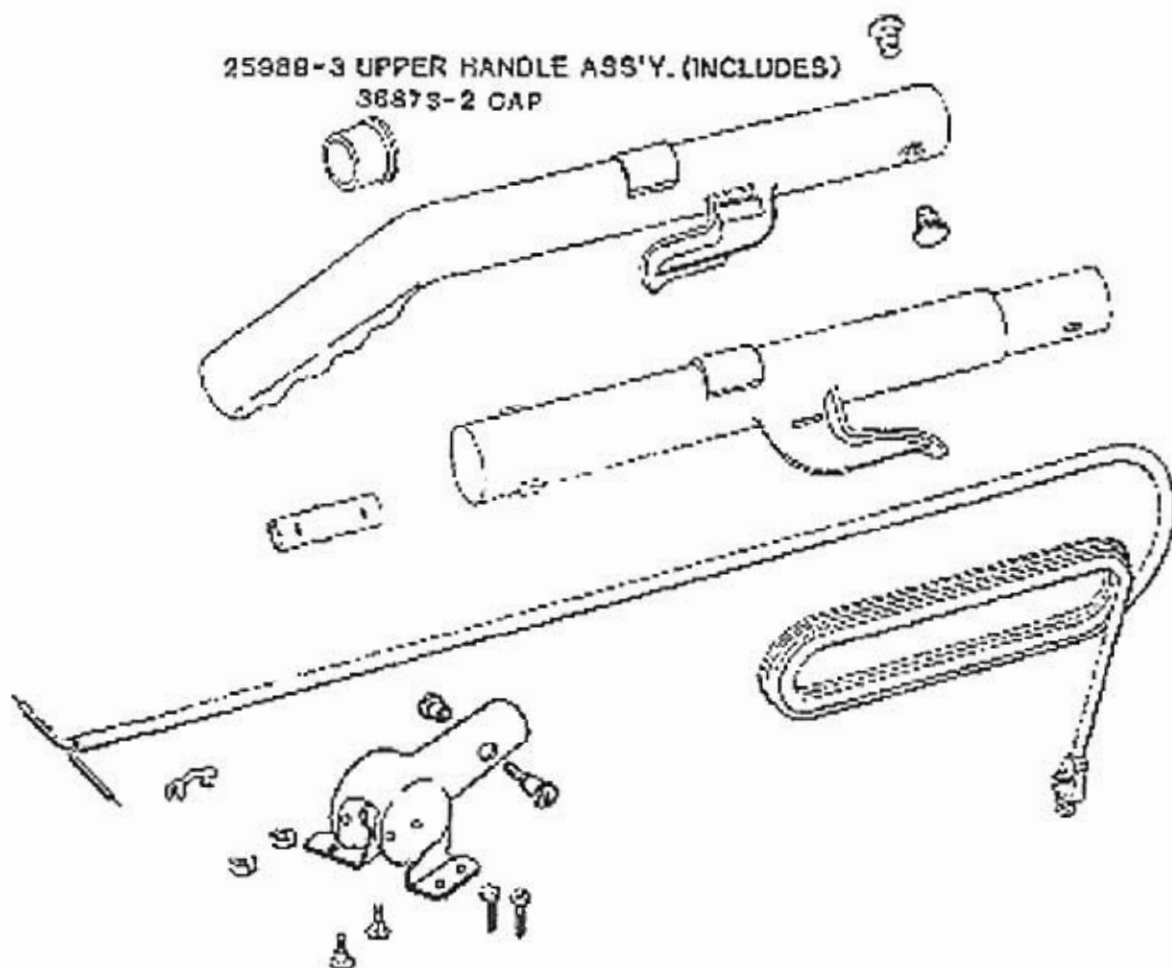


**25922-1 BOTTOM PLATE(INCLUDES)**  
46538 GASKET

## PARTS3 - 2059A

Ref #	Part	Description	Comments	Qty
1	13236-1	TUBE - DISTURBULATOR		
2	25759A	CAP - DISTURBULATOR		
3	25763-1	DISTURBULATOR ASSY - CART		
4	25922-1	BOTTOM PLATE ASSEMBLY		
5	35858-1	Discontinued, use 35858-2		
6	35947A	AXLE - FRONT		
7	36999-4	GUARD - FURNITURE		
8	37378	DIST SHAFT & BRG ASSY - C		
9	46538	TAPE-FOAM (use 46538-4)		
10	47562	AXLE - REAR		
11	52282-3	Discontinued, use 52282-4		
12	53076-2	SPRING & AXLE PACKAGE (6)		
13	53111	CLIP PACKAGE (5)		
14	53158	LOCK NUT PACKAGE		
15	53167	WASHER - SHAFT PACKAGE		
16	53238-11	SCREW PACKAGE		

PARTS4 - 2059A

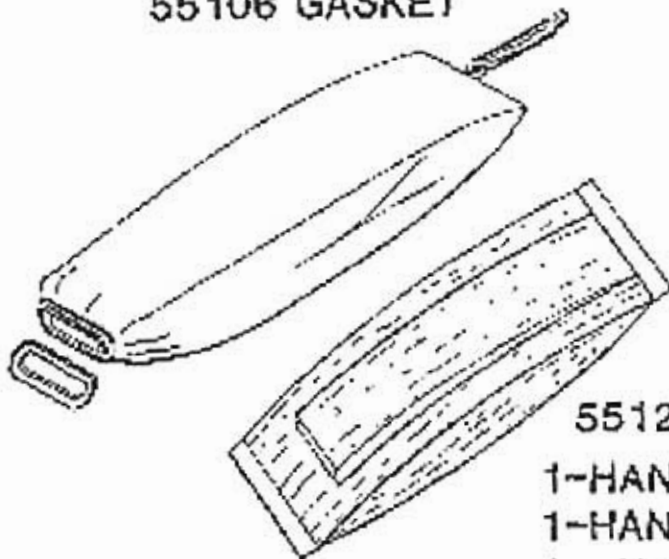


## PARTS4 - 2059A

Ref #	Part	Description	Comments	Qty
1	25988-2	CONNECTOR - HANDLE TUBE		
2	25989-3	HANDLE ASSEMBLY (UPPER)		
3	34732-14	CORD - LOW LEAD (18 GA)		
4	36873-2	CAP - HANDLE		
5	36984-2	HANDLE KIT - UPRIGHT		
6	52363-2	HANDLE SOCKET & FOOT PEDA		
7	53080-1	PIN - SNAP PACKAGE (5)		
8	53089-1	BUSHING & STRAIN RELIEF P		
9	53145	BOLT PACKAGE (10)		
10	53198-1	HANDLE SCREW ASSY PACKAGE		
11	53238-13	SCREW PACKAGE		
12	EW14-10ZP	NUTS - PACKAGE 10		

PARTS5 - 2059A

**52309 ADAPTER,SLEEVE & GASKET ASS'Y.(INCLUDES)  
55106 GASKET**



**55123A HARDWARE PKG.  
1-HANDLE TUBE CONNECTOR.  
1-HANDLE SCREW ASS'Y.  
4-SNAP PIN  
2-SCREW**

**NOT ILLUSTRATED  
48410 GARTER SPRING  
48801 TIE WIRE**

## PARTS5 - 2059A

Ref #	Part	Description	Comments	Qty
1	13450-33	ZIPPER BAG ASSEMBLY - PKG		
2	47722	SPRING - BAG		
3	48410	SPRING - GARTER		
4	48801	WIRE - TIE		
5	52309	ADAPTER - BAG		
6	52320	PAPER BAG PKG ASSY STYLE		
7	55106	GASKET - BAG ADAPTER		
8	55123A	HARDWARE PACKAGE - UPRIGH		