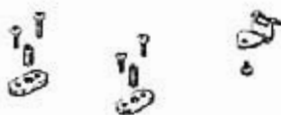
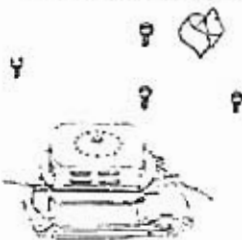


PARTS1 - C2031B

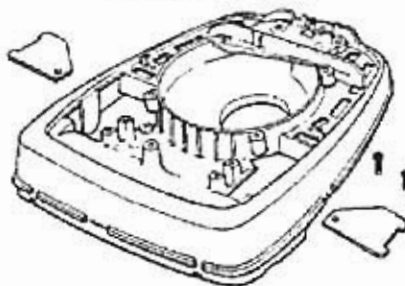


**53361-5 MOTOR ASS'Y.**

- 37985 BRUSH COVER (R)
- 37988 BRUSH COVER (L)



- NOT ILLUSTRATED
- 24964A CAM (R.H.)
- 24965A CAM (L.H.)
- 53118 RIVET-CAM
- 53133 WASHER



## PARTS1 - C2031B

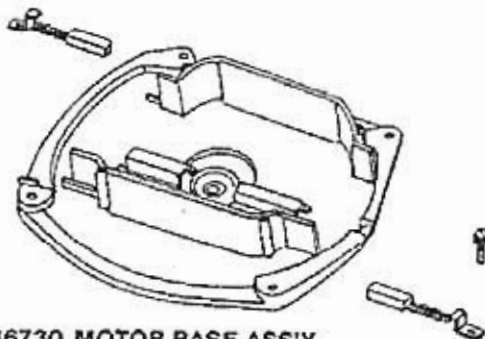
Ref #	Part	Description	Comments	Qty
1	24834A-1	Discontinued, use 24834A-3		
2	24964A	CAM (RIGHT)		
3	24965A	CAM (LEFT)		
4	26307	TIE - CABLE (PURCHASED)		
5	26808-2	BUTTON - SWITCH		
6	30517	GASKET - MOTOR SEAL		
7	36263	COVER - WHEEL		
8	37034	SPRING - ADAPT RETAINER		
9	37989	CLIP - SWITCH		
10	38053-2	KNOB ASSEMBLY		
11	38218-1	BRACKET - BUSHING		
12	53097	SPRING - FOOT PEDAL PKG (		
13	53118	RIVET - SHOULDER PACKAGE		
14	53122	STRAIN RELIEF BUSHING - P		
15	53133	STL WASHERS-PKG (48495 (NLA)		
16	53140	CLAMP & SCREW ASSY PKG		
17	53143	SCREW PACKAGE (10)		
18	53214-1	WIRE SPLICE 5		
19	53238-13	SCREW PACKAGE		
20	53238-17	SCREW PACKAGE		
21	53361-5	MOTOR KIT		
22	53444-7	BASE ASSEMBLY - CARTONED		
23	54005-5	HOOD ASSEMBLY - PACKAGED		
24	54151-2	Discontinued, use 13738-5		
25	EW29-8-12ZP	SCREW PACKAGE		
26	EW312-10-8ZP	SCREW PACKAGE		

PARTS2 - C2031B

**53361-5 MOTOR ASSEMBLY**



**25860 MOTOR FAN**

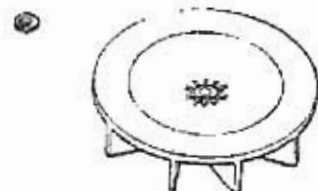


**36730 MOTOR BASE ASS'Y.**

**42875 BEARING RETAINER ASS'Y.**

**53088-1 BALL BEARING**

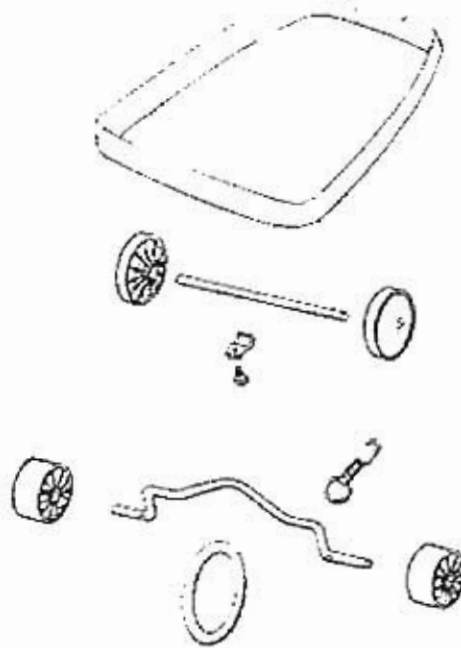
**53187-1 TUBULAR RIVET**



## PARTS2 - C2031B

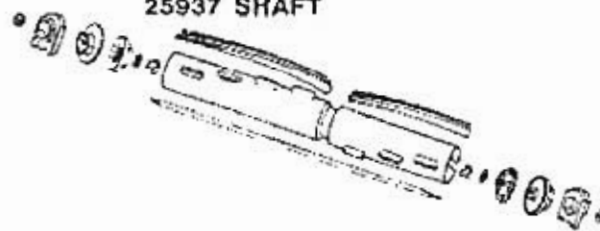
Ref #	Part	Description	Comments	Qty
1	12988-1	FAN BLOWER - MOTOR		
2	13355-2	FIELD ASSY - CARTONED		
3	13746-1	COVER - MOTOR		
4	26055	MOTOR BRUSH ASSY		
5	37191	PULLEY - MOTOR DRIVE		
6	42875	BEARING RETAINER ASSY-W/L		
7	53088-1	BALL BEARING - PACKAGE		
8	53131-2	SCREW - TORX PAN HD		
9	53148	WASHER - FAN PACKAGE (10)		
10	53187-1	RIVET PACKAGE		
11	53188-1	WASHER PACKAGE		
12	53361-5	MOTOR KIT		

PARTS3 - C2031B

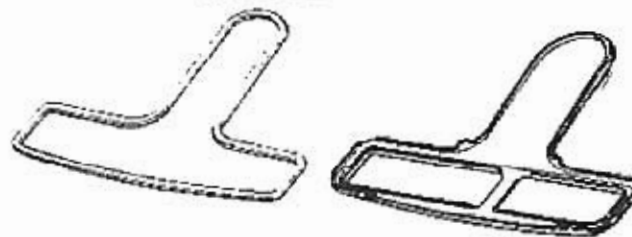


**53270  
DISTURBULATOR ASS'Y.  
INCLUDES**

- 13236-1 DISTURBULATOR TUBE
- 53079 BEARING RETAINER
- 53064 DISTURBULATOR CAP
- 52282-4 BRISTLE STRIP ASS'Y.
- 53066 CAP COVER
- 53184 KLIPRING
- 53158 LOCK NUT
- 25937 SHAFT



**25922-1 BOTTOM PLATE ASS'Y. INCLUDES  
46538 FOAM TAPE**

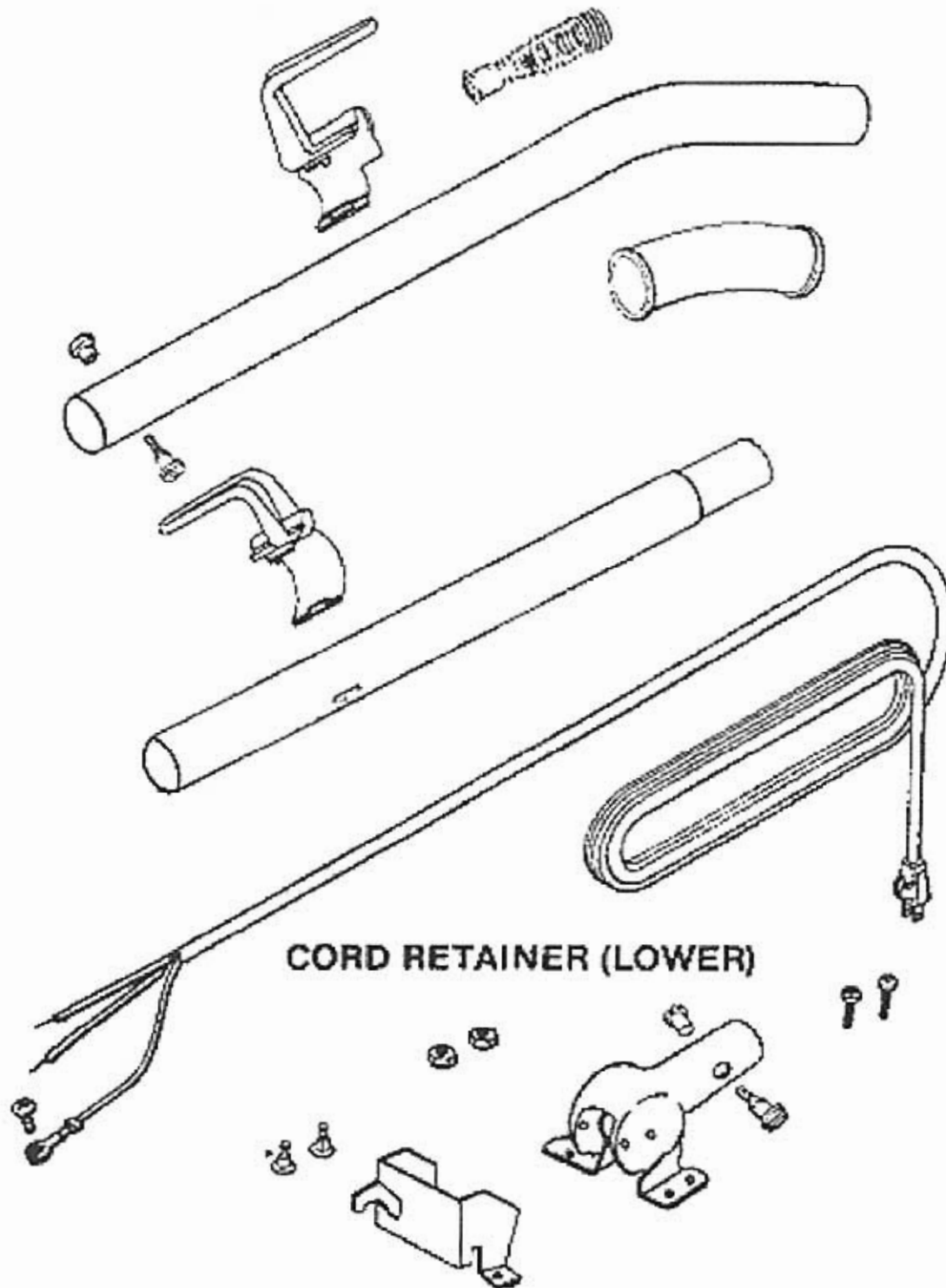


## PARTS3 - C2031B

Ref #	Part	Description	Comments	Qty
1	13236-1	TUBE - DISTURBULATOR		
2	25648-15	GUARD - FURNITURE		
3	25922-1	BOTTOM PLATE ASSEMBLY		
4	25937	SHAFT - DISTURBULATOR		
5	35858-1	Discontinued, use 35858-2		
6	35947A	AXLE - FRONT		
7	46538	TAPE-FOAM (use 46538-4)		
8	47562	AXLE - REAR		
9	49899	WASHER - FELT		
10	52282-4	BRISTLE STRIP PACKAGE		
11	53064	CAP - DISTURBULATOR		
12	53066	CAP - COVER		
13	53076-2	SPRING & AXLE PACKAGE (6)		
14	53079	BEARING & RETAINER ASSEMB		
15	53111	CLIP PACKAGE (5)		
16	53158	LOCK NUT PACKAGE		
17	53184	KLIPRING PACKAGE		
18	53238-11	SCREW PACKAGE		
19	53270	DISTURBULATOR ASSEMBLY		

PARTS4 - C2031B

**25329-20 UPPER HANDLE ASS'Y.(INCLUDES)  
35293-8 HANDLE GRIP**



**CORD RETAINER (LOWER)**

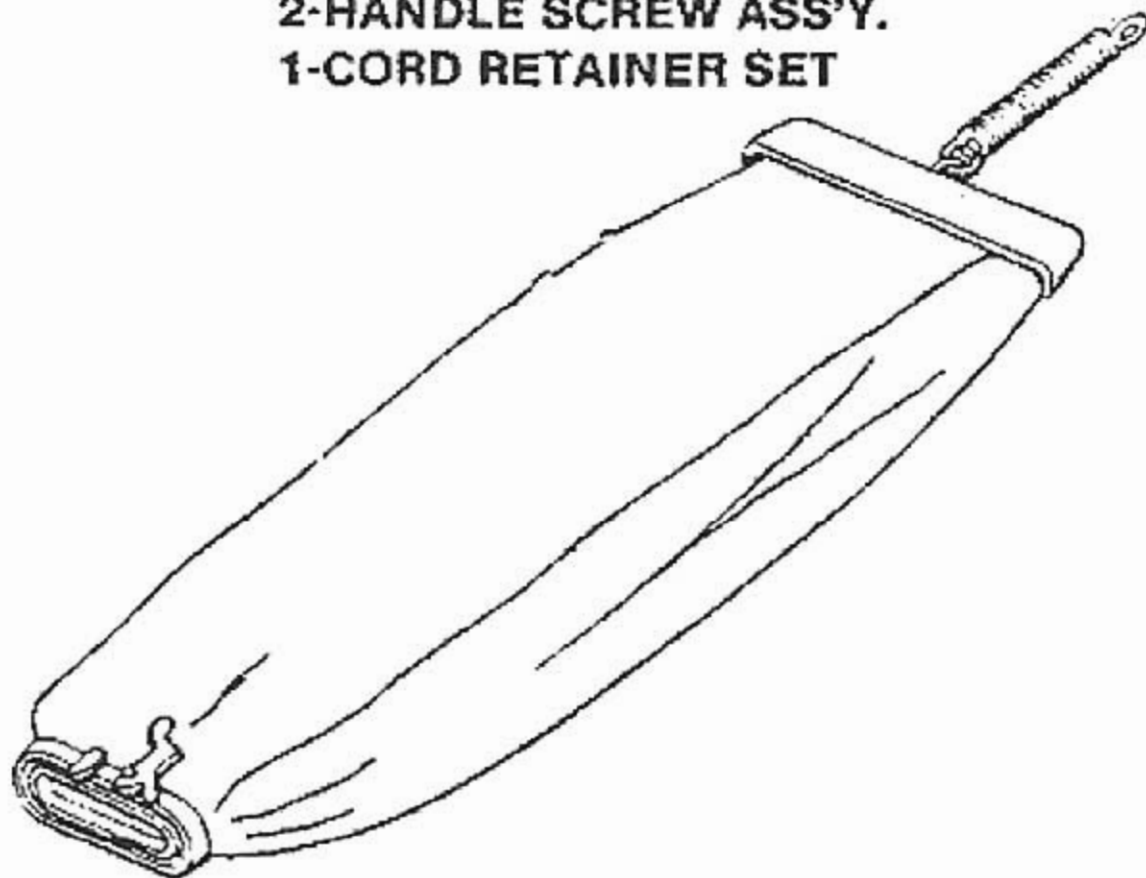
## PARTS4 - C2031B

Ref #	Part	Description	Comments	Qty
1	12637-8	TUBE - HANDLE (LOWER)		
2	25329-20	HDLE ASSY-UPPER- (12638-5		
3	35293-8	GRIP - HANDLE		
4	37157	SHIELD-HDLE SOCKET (NLA)		
5	38183-1	HANDLE SOCKET ASSY		
6	52370-14	CORD & TERMINAL ASSY 30 8		
7	53077	SPRING - STRAIN RELIEF PK		
8	53145	BOLT PACKAGE (10)		
9	53198-1	HANDLE SCREW ASSY PACKAGE		
10	53238-13	SCREW PACKAGE		
11	53574-1	RETNR PKG(UPPER&LOWER)BEIGE		
12	EW126-8P5Z	SCREWS - PACKAGE 10		
13	EW14-10ZP	NUTS - PACKAGE 10		

PARTS5 - C2031B

## 53354-9 BAG ASSEMBLY

**49461-A HARDWARE PACKAGE**  
**2-HANDLE SCREW ASS'Y.**  
**1-CORD RETAINER SET**



**54174-1 BAG ADAPTER**  
**48282 GASKET**  
**48749 SHOULDER SCREW**

## PARTS5 - C2031B

Ref #	Part	Description	Comments	Qty
1	30599D-10	CLIP - BAG		
2	47722	SPRING - BAG		
3	48282	GASKET - BAG ADAPTER		
4	48749	PACKAGE - RIVET		
5	53354-9	BAG ASSEMBLY - PACKAGED		
6	54174-1	ADAPTER - BAG		