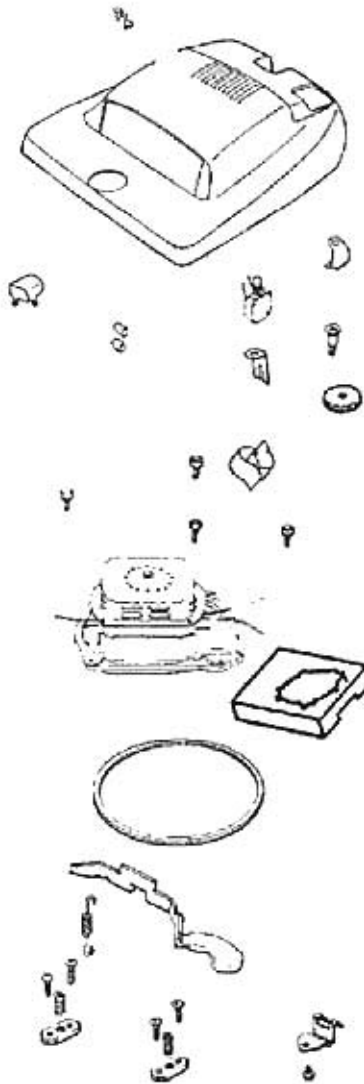
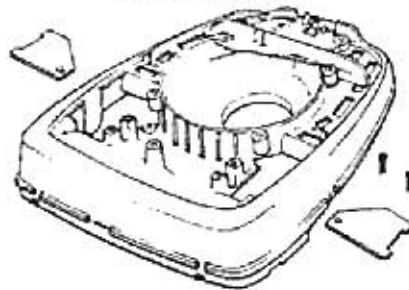


PARTS1 - C2031BM



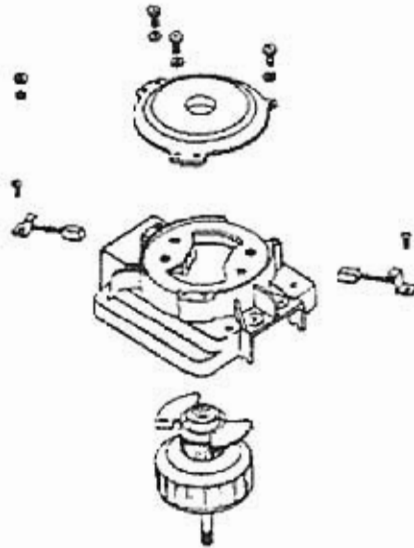
NOT ILLUSTRATED
24964A CAM (R.H.)
24965A CAM (L.H.)
53118 RIVET-CAM
53133 WASHER



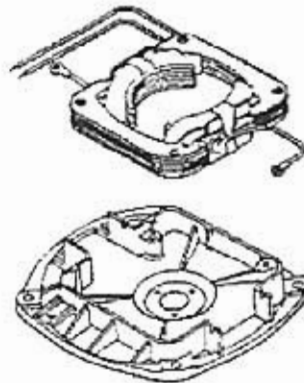
PARTS1 - C2031BM

| Ref # | Part | Description | Comments | Qty |
|-------|-------------|------------------------------|----------|-----|
| 1 | 24834A-1 | Discontinued, use 24834A-3 | | |
| 2 | 24964A | CAM (RIGHT) | | |
| 3 | 24965A | CAM (LEFT) | | |
| 4 | 26307 | TIE - CABLE (PURCHASED) | | |
| 5 | 26808-2 | BUTTON - SWITCH | | |
| 6 | 30517 | GASKET - MOTOR SEAL | | |
| 7 | 36263 | COVER - WHEEL | | |
| 8 | 37034 | SPRING - ADAPT RETAINER | | |
| 9 | 37989 | CLIP - SWITCH | | |
| 10 | 38053-2 | KNOB ASSEMBLY | | |
| 11 | 38067 | SEPARATOR ASSEMBLY | | |
| 12 | 38218-1 | BRACKET - BUSHING | | |
| 13 | 53097 | SPRING - FOOT PEDAL PKG (| | |
| 14 | 53118 | RIVET - SHOULDER PACKAGE | | |
| 15 | 53122 | STRAIN RELIEF BUSHING - P | | |
| 16 | 53133 | STL WASHERS-PKG (48495 (NLA) | | |
| 17 | 53140 | CLAMP & SCREW ASSY PKG | | |
| 18 | 53143 | SCREW PACKAGE (10) | | |
| 19 | 53214-1 | WIRE SPLICE 5 | | |
| 20 | 53238-11 | SCREW PACKAGE | | |
| 21 | 53238-13 | SCREW PACKAGE | | |
| 22 | 53238-14 | SCREW PACKAGE | | |
| 23 | 53444-7 | BASE ASSEMBLY - CARTONED | | |
| 24 | 54005-5 | HOOD ASSEMBLY - PACKAGED | | |
| 25 | 54151-2 | Discontinued, use 13738-5 | | |
| 26 | EW29-8-12ZP | SCREW PACKAGE | | |

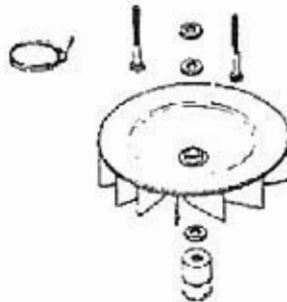
PARTS2 - C2031BM



27299-5 ARMATURE & FAN ASS'Y.
30474A FAN



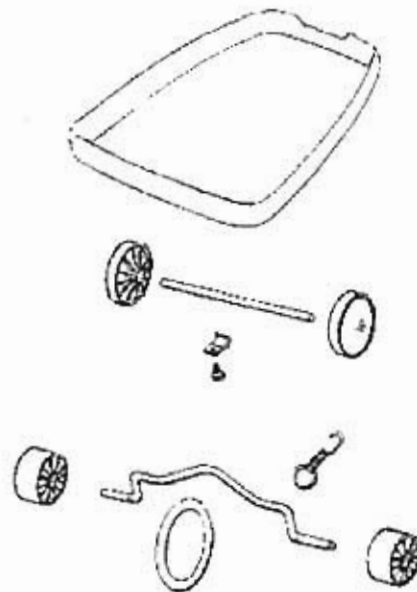
54169-1 MOTOR BASE ASS'Y.
42875 BEARING & RETAINER
53088-1 BEARING
53187-1 RIVET



PARTS2 - C2031BM

| Ref # | Part | Description | Comments | Qty |
|-------|---------|---------------------------|----------|-----|
| 1 | 12988 | FAN BLOWER - MOTOR | | |
| 2 | 20217E | RETAINER - UPPER BEARING | | |
| 3 | 30474A | FAN - MOTOR COOLING | | |
| 4 | 30478 | MOTOR BRUSH ASSEMBLY | | |
| 5 | 42875 | BEARING RETAINER ASSY-W/L | | |
| 6 | 49507 | PULLEY - MOTOR DRIVE | | |
| 7 | 53088-1 | BALL BEARING - PACKAGE | | |
| 8 | 53138 | SCREWS - PACKAGE 10 | | |
| 9 | 53142 | SCREW PACKAGE (10) | | |
| 10 | 53148 | WASHER - FAN PACKAGE (10) | | |
| 11 | 53187-1 | RIVET PACKAGE | | |
| 12 | 53188-1 | WASHER PACKAGE | | |
| 13 | 53213-4 | NUTS - PACKAGE 10 | | |
| 14 | 53219-2 | SCREWS - PACKAGE 10 | | |
| 15 | 53222-3 | LOCKWASHERS - PACKAGE 10 | | |
| 16 | 54169-1 | MOTOR BASE ASSEMBLY | | |
| 17 | 56802-2 | TIE - CABLE (PURCHASED) | | |

PARTS3 - C2031BM



53272
DISTURBULATOR ASS'Y.
INCLUDES*

35664B BEATER BAR (SHORT)
 48159 PULLEY REPLACEMENT
 35665B BEATER BAR (LONG)
 35895-2 BEATER BAR SUPPORT
 53065 DISTURBULATOR CAP
 53115 TOLERANCE RING
 52140 BRISTLE STRIP SET
 3572BA COVER PLATE
 53158 LOCKNUT
 53066 CAP COVER
 53114 BEARING
 35663A SHAFT



25922-1 BOTTOM PLATE ASS'Y. INCLUDES
46538 FOAM TAPE

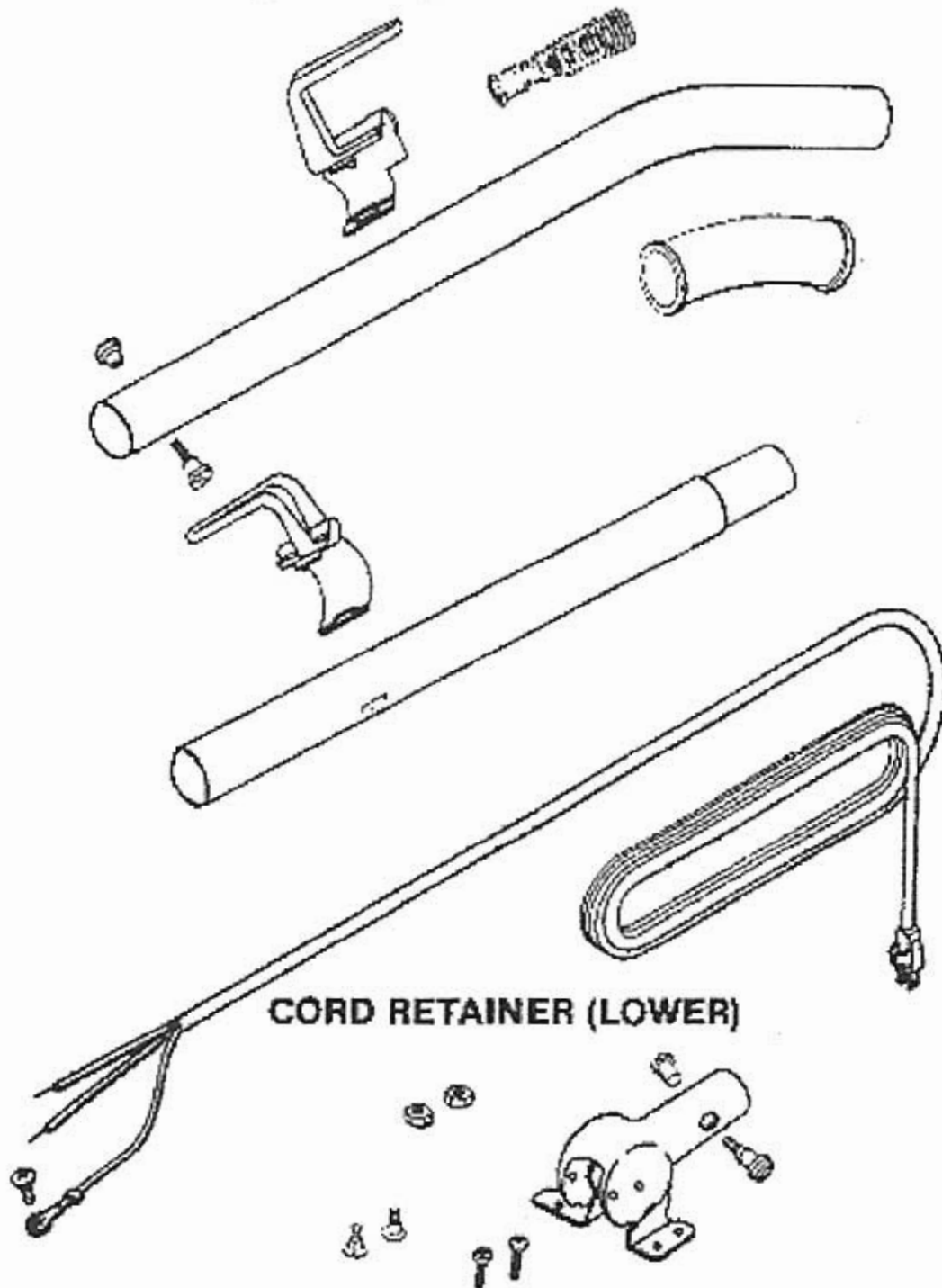


PARTS3 - C2031BM

| Ref # | Part | Description | Comments | Qty |
|-------|----------|---------------------------|----------|-----|
| 1 | 25648-15 | GUARD - FURNITURE | | |
| 2 | 25922-1 | BOTTOM PLATE ASSEMBLY | | |
| 3 | 35663A | SHAFT - DISTURBULATOR | | |
| 4 | 35664B | BAR - BEATER (SHORT) | | |
| 5 | 35665B | BAR - BEATER (LONG) | | |
| 6 | 35728A | PLATE - COVER | | |
| 7 | 35858-1 | Discontinued, use 35858-2 | | |
| 8 | 35895-1 | SUPPORT - BEATER BAR | | |
| 9 | 35895-2 | SUPPORT - BEATER BAR | | |
| 10 | 35947A | AXLE - FRONT | | |
| 11 | 46538 | TAPE-FOAM (use 46538-4) | | |
| 12 | 47562 | AXLE - REAR | | |
| 14 | 52140 | PACKAGED - BRISTLE STRIP | | |
| 15 | 53065 | CAP - DISTURBULATOR | | |
| 16 | 53066 | CAP - COVER | | |
| 17 | 53076-2 | SPRING & AXLE PACKAGE (6) | | |
| 18 | 53111 | CLIP PACKAGE (5) | | |
| 19 | 53114 | BEARING - DISTURBULATOR P | | |
| 20 | 53115 | PACKAGE - TOLERANCE RING | | |
| 21 | 53158 | LOCK NUT PACKAGE | | |
| 22 | 53238-11 | SCREW PACKAGE | | |
| 23 | 53272 | DISTURBULATOR ASSEMBLY | | |

PARTS4 - C2031BM

**25329-16 UPPER HANDLE ASS'Y. (INCLUDES)
35293-8 HANDLE GRIP**



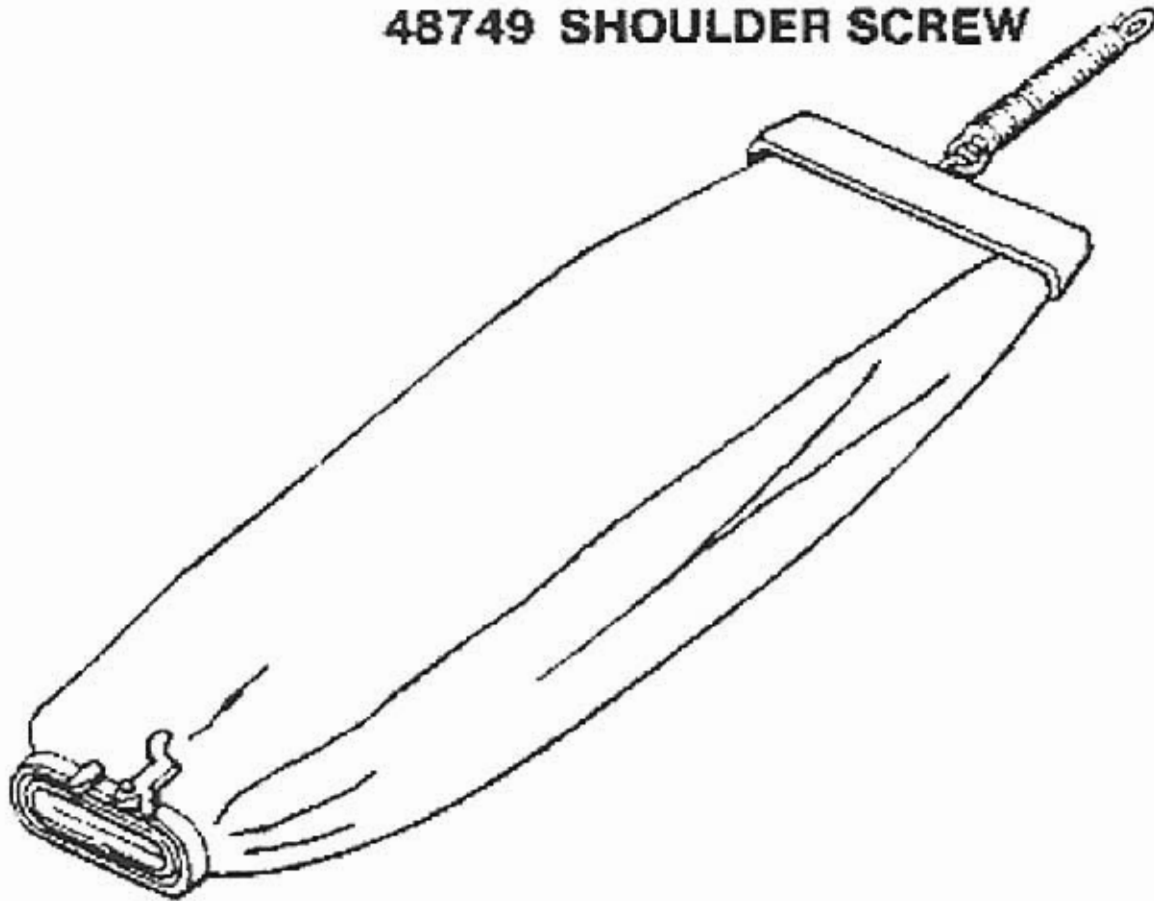
CORD RETAINER (LOWER)

PARTS4 - C2031BM

| Ref # | Part | Description | Comments | Qty |
|-------|----------|-----------------------------|----------|-----|
| 1 | 25329-16 | HANDLE ASSEMBLY (UPPER) | | |
| 2 | 35293-8 | GRIP - HANDLE | | |
| 3 | 38183-1 | HANDLE SOCKET ASSY | | |
| 4 | 52370-14 | CORD & TERMINAL ASSY 30 8 | | |
| 5 | 53077 | SPRING - STRAIN RELIEF PK | | |
| 6 | 53145 | BOLT PACKAGE (10) | | |
| 7 | 53198-1 | HANDLE SCREW ASSY PACKAGE | | |
| 8 | 53213-5 | NUTS - PACKAGE 10 | | |
| 9 | 53228-7 | SCREWS - PACKAGE 10 | | |
| 10 | 53238-13 | SCREW PACKAGE | | |
| 11 | 53574-1 | RETNR PKG(UPPER&LOWER)BEIGE | | |
| 12 | 57751-1 | TUBE - HANDLE (LOWER) | | |

PARTS5 - C2031BM

54174-1 BAG ADAPTER
48282 GASKET
48749 SHOULDER SCREW



49461-A HARDWARE PACKAGE
2-HANDLE SCREW ASS'Y.
1-CORD RETAINER SET

PARTS5 - C2031BM

| Ref # | Part | Description | Comments | Qty |
|-------|-----------|-------------------------|----------|-----|
| 1 | 30599D-10 | CLIP - BAG | | |
| 2 | 47722 | SPRING - BAG | | |
| 3 | 48282 | GASKET - BAG ADAPTER | | |
| 4 | 48749 | PACKAGE - RIVET | | |
| 5 | 53354-9 | BAG ASSEMBLY - PACKAGED | | |
| 6 | 54174-1 | ADAPTER - BAG | | |