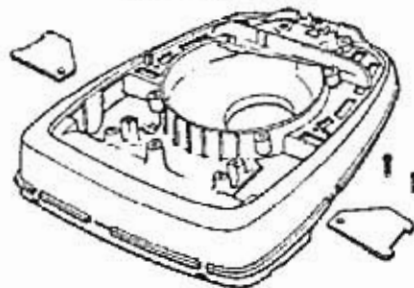


PARTS1 - C2031D



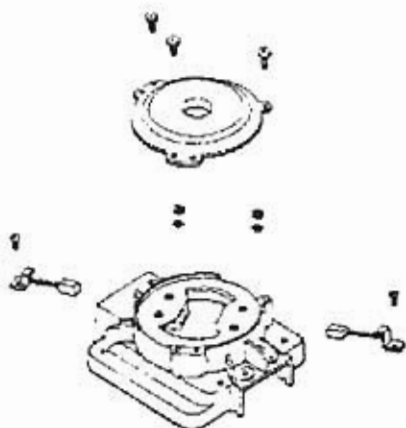
NOT ILLUSTRATED
 24964A CAM (R.H.)
 24965A CAM (L.H.)
 53118 RIVET-CAM
 53133 WASHER



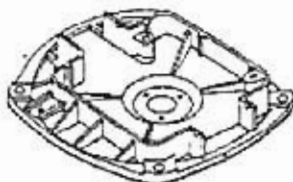
PARTS1 - C2031D

Ref #	Part	Description	Comments	Qty
1	24834A-1	Discontinued, use 24834A-3		
2	24964A	CAM (RIGHT)		
3	24965A	CAM (LEFT)		
4	26808-2	BUTTON - SWITCH		
5	30517	GASKET - MOTOR SEAL		
6	36263	COVER - WHEEL		
7	37034	SPRING - ADAPT RETAINER		
8	37989	CLIP - SWITCH		
9	38053-2	KNOB ASSEMBLY		
10	38067	SEPARATOR ASSEMBLY		
11	38218-1	BRACKET - BUSHING		
12	53097	SPRING - FOOT PEDAL PKG (
13	53118	RIVET - SHOULDER PACKAGE		
14	53122	STRAIN RELIEF BUSHING - P		
15	53133	STL WASHERS-PKG (48495 (NLA)		
16	53140	CLAMP & SCREW ASSY PKG		
17	53143	SCREW PACKAGE (10)		
18	53214-1	WIRE SPLICE 5		
19	53238-11	SCREW PACKAGE		
20	53238-13	SCREW PACKAGE		
21	53238-17	SCREW PACKAGE		
22	53444-7	BASE ASSEMBLY - CARTONED		
23	54005-5	HOOD ASSEMBLY - PACKAGED		
24	54151-2	Discontinued, use 13738-5		
25	54177	WIRE & TERMINAL ASSY		
26	54352-3	MOTOR ASSEMBLY - PACKAGED		
27	EW29-8-12ZP	SCREW PACKAGE		

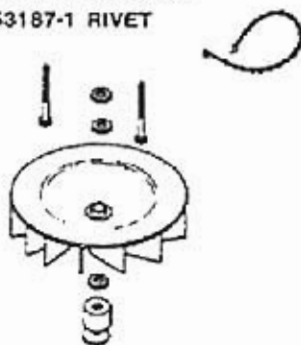
PARTS2 - C2031D



54395-4 ARM, FAN & BEARING ASSEMBLY
53088-1 BEARING PKG. 5 1 USED
30474A FAN



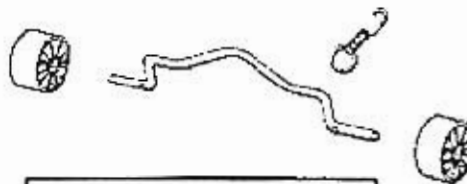
54169 MOTOR BASE ASSEMBLY
42875 BEARING & RETAINER ASS'Y.
53088-1 BEARING
53187-1 RIVET



PARTS2 - C2031D

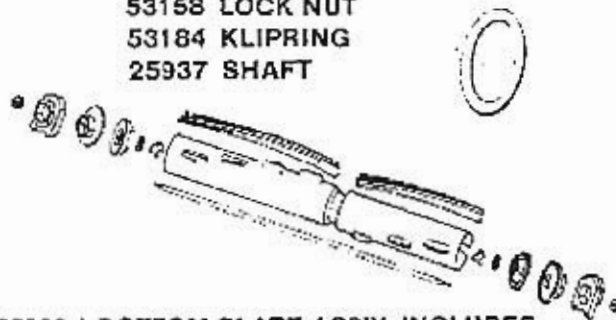
Ref #	Part	Description	Comments	Qty
1	12988	FAN BLOWER - MOTOR		
2	20217E	RETAINER - UPPER BEARING		
3	30474A	FAN - MOTOR COOLING		
4	30478	MOTOR BRUSH ASSEMBLY		
5	37012-2	PULLEY - MOTOR DRIVE		
6	42875	BEARING RETAINER ASSY-W/L		
7	53088-1	BALL BEARING - PACKAGE		
8	53142	SCREW PACKAGE (10)		
9	53148	WASHER - FAN PACKAGE (10)		
10	53158	LOCK NUT PACKAGE		
11	53187-1	RIVET PACKAGE		
12	53188-1	WASHER PACKAGE		
13	53213-4	NUTS - PACKAGE 10		
14	53219-2	SCREWS - PACKAGE 10		
15	53222-3	LOCKWASHERS - PACKAGE 10		
16	53441-2	FIELD ASSEMBLY - PACKAGED		
17	54169	MOTOR BASE ASSEMBLY		
18	54352-3	MOTOR ASSEMBLY - PACKAGED		
19	54395-4	ARMATURE, FAN & BRG ASSY-		
20	54396	MOTOR COVER ASSEMBLY - LA		
21	56802-2	TIE - CABLE (PURCHASED)		

PARTS3 - C2031D

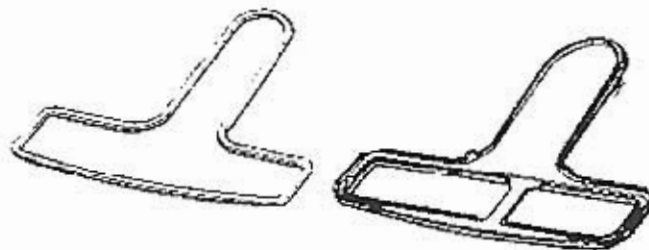


**53270
DISTURBULATOR ASS'Y.
INCLUDES**

- 52282-4 BRISTLE STRIP ASS'Y.
- 13236-3 DISTURBULATOR TUBE
- 26057A DISTURBULATOR CAP
- 54256 BEARING RETAINER
- 26059A CAP COVER
- 53158 LOCK NUT
- 53184 KLIPRING
- 25937 SHAFT



**25922-1 BOTTOM PLATE ASS'Y. INCLUDES
46538 FOAM TAPE**

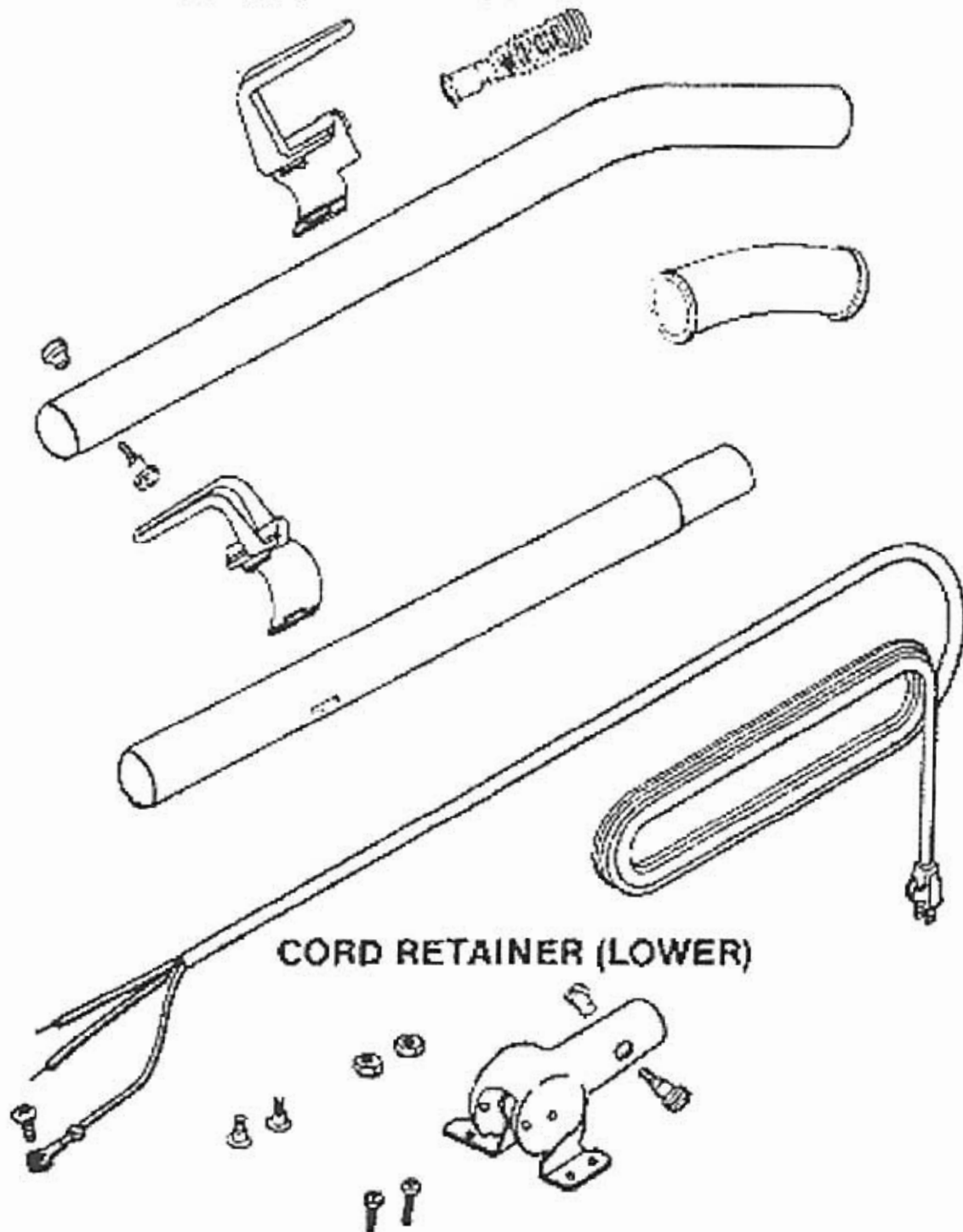


PARTS3 - C2031D

Ref #	Part	Description	Comments	Qty
1	13236-3	TUBE - DISTURBULATOR		
2	25648-15	GUARD - FURNITURE		
3	25922-1	BOTTOM PLATE ASSEMBLY		
4	25937	SHAFT - DISTURBULATOR		
5	26057A	CAP - DISTURBULATOR		
6	26059A	CAP - COVER		
7	35858-1	Discontinued, use 35858-2		
8	35859A-1	WHEEL - FRONT		
9	35947A	AXLE - FRONT		
10	46538	TAPE-FOAM (use 46538-4)		
11	47562	AXLE - REAR		
12	49899	WASHER - FELT		
13	52282-4	BRISTLE STRIP PACKAGE		
14	53076-2	SPRING & AXLE PACKAGE (6)		
15	53111	CLIP PACKAGE (5)		
16	53158	LOCK NUT PACKAGE		
17	53184	KLIPRING PACKAGE		
18	53238-11	SCREW PACKAGE		
19	53270	DISTURBULATOR ASSEMBLY		
20	54256	BRG & RET ASSY		

PARTS4 - C2031D

**25329-36 UPPER HANDLE ASS'Y. (INCLUDES)
35293-6 HANDLE GRIP**



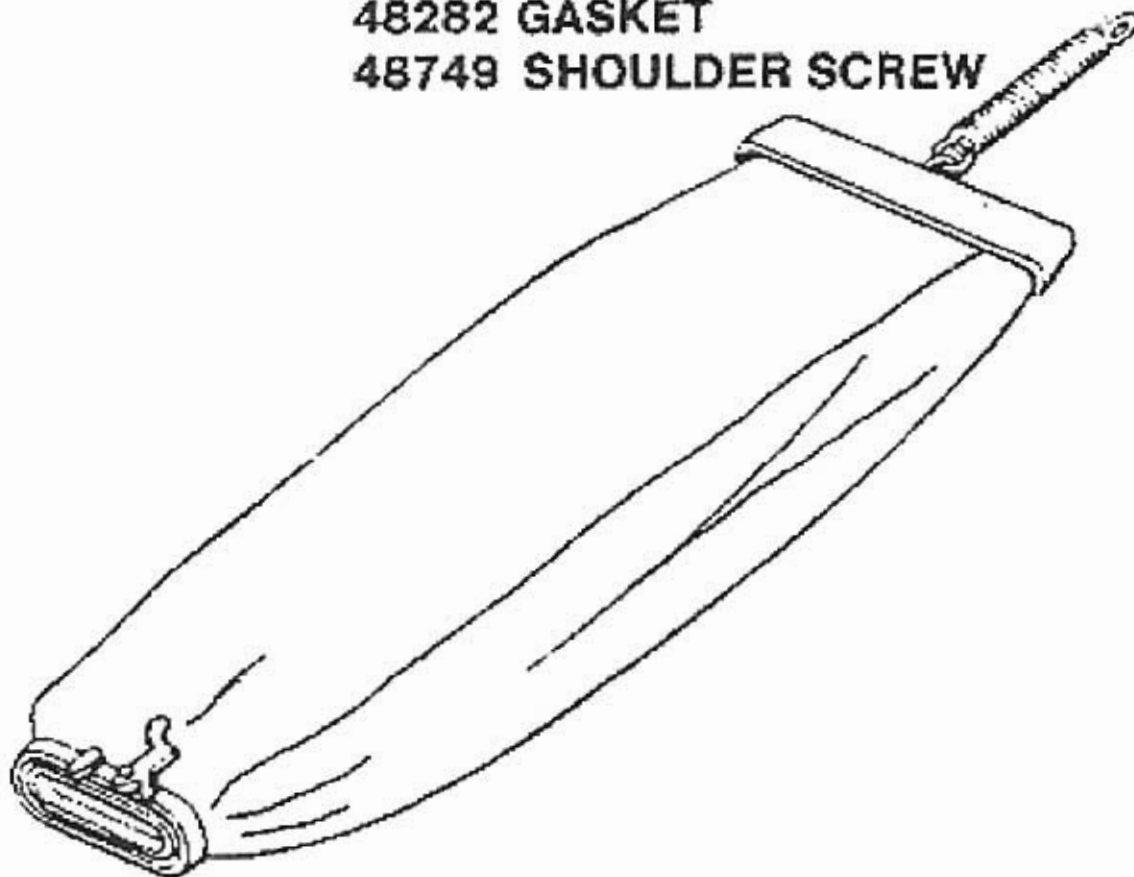
CORD RETAINER (LOWER)

PARTS4 - C2031D

Ref #	Part	Description	Comments	Qty
1	25329-36	HANDLE ASSEMBLY (UPPER)		
2	35293-6	GRIP - HANDLE		
3	38183-1	HANDLE SOCKET ASSY		
4	52370-14	CORD & TERMINAL ASSY 30 8		
5	53077	SPRING - STRAIN RELIEF PK		
6	53145	BOLT PACKAGE (10)		
7	53198-1	HANDLE SCREW ASSY PACKAGE		
8	53213-5	NUTS - PACKAGE 10		
9	53228-2	SCREWS - PACKAGE 10		
10	53238-13	SCREW PACKAGE		
11	53574-1	RETNR PKG(UPPER&LOWER)BEIGE		
12	57751-1	TUBE - HANDLE (LOWER)		

PARTS5 - C2031D

54174-1 BAG ADAPTER
48282 GASKET
48749 SHOULDER SCREW



49461-A HARDWARE PACKAGE
2-HANDLE SCREW ASS'Y.
1-CORD RETAINER SET

PARTS5 - C2031D

Ref #	Part	Description	Comments	Qty
1	30599D-10	CLIP - BAG		
2	47722	SPRING - BAG		
3	48282	GASKET - BAG ADAPTER		
4	48749	PACKAGE - RIVET		
5	53354-9	BAG ASSEMBLY - PACKAGED		
6	54174-1	ADAPTER - BAG		