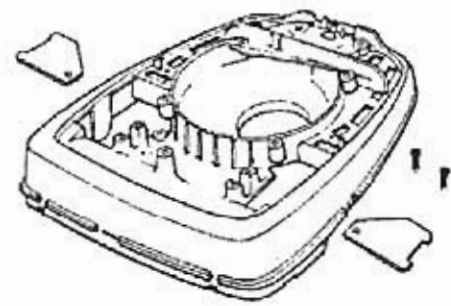


Base & Hood - C2031E



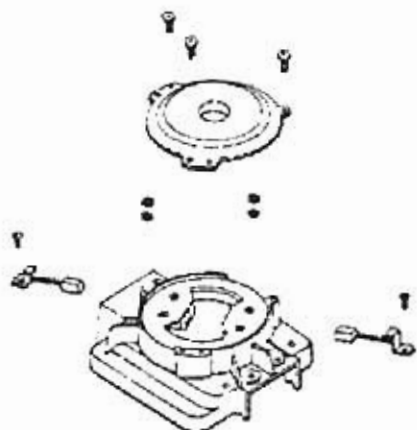
NOT ILLUSTRATED
24964A CAM (R.H.)
24965A CAM (L.H.)
53118 RIVET-CAM
53133 WASHER



Base & Hood - C2031E

Ref #	Part	Description	Comments	Qty
1	24834A-1	Discontinued, use 24834A-3		
2	24964A	CAM (RIGHT)		
3	24965A	CAM (LEFT)		
4	26808-2	BUTTON - SWITCH		
5	30517	GASKET - MOTOR SEAL		
6	36263	COVER - WHEEL		
7	37034	SPRING - ADAPT RETAINER		
8	37989	CLIP - SWITCH		
9	38053-2	KNOB ASSEMBLY		
10	38067	SEPARATOR ASSEMBLY		
11	38218-1	BRACKET - BUSHING		
12	53097	SPRING - FOOT PEDAL PKG (
13	53118	RIVET - SHOULDER PACKAGE		
14	53122	STRAIN RELIEF BUSHING - P		
15	53133	STL WASHERS-PKG (48495 (NLA)		
16	53140	CLAMP & SCREW ASSY PKG		
17	53143	SCREW PACKAGE (10)		
18	53214-1	WIRE SPLICE 5		
19	53238-11	SCREW PACKAGE		
20	53238-13	SCREW PACKAGE		
21	53238-17	SCREW PACKAGE		
22	53444-7	BASE ASSEMBLY - CARTONED		
23	54005-5	HOOD ASSEMBLY - PACKAGED		
24	54151-2	Discontinued, use 13738-5		
25	54177	WIRE & TERMINAL ASSY		
26	54352-3	MOTOR ASSEMBLY - PACKAGED		
27	EW29-8-12ZP	SCREW PACKAGE		

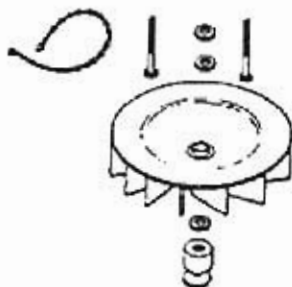
Motor - C2031E



54395-4 ARM, FAN & BEARING ASSEMBLY
53088-1 BEARING
30474A FAN



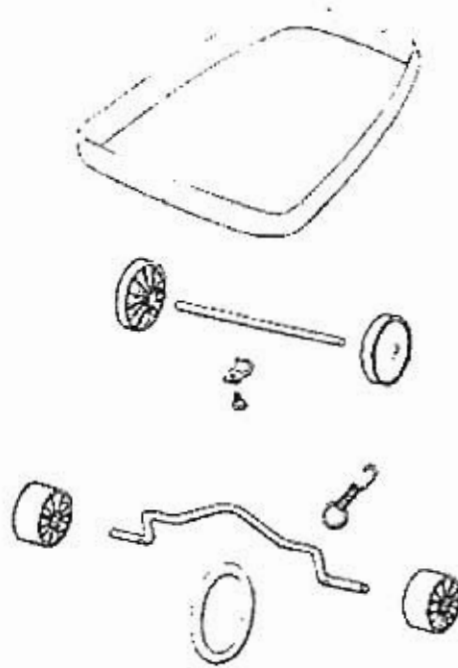
54169-1 MOTOR BASE ASSEMBLY
42875 BEARING & RETAINER ASS'Y,
53088-1 BEARING
53187-1 RIVET



Motor - C2031E

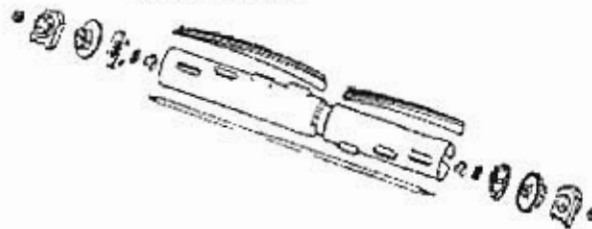
Ref #	Part	Description	Comments	Qty
1	12988	FAN BLOWER - MOTOR		
2	20217E	RETAINER - UPPER BEARING		
3	30474A	FAN - MOTOR COOLING		
4	30478	MOTOR BRUSH ASSEMBLY		
5	37012-2	PULLEY - MOTOR DRIVE		
6	42875	BEARING RETAINER ASSY-W/L		
7	53088-1	BALL BEARING - PACKAGE		
8	53142	SCREW PACKAGE (10)		
9	53148	WASHER - FAN PACKAGE (10)		
10	53138	SCREWS - PACKAGE 10		
11	53187-1	RIVET PACKAGE		
12	53188-1	WASHER PACKAGE		
13	53213-4	NUTS - PACKAGE 10		
14	53219-2	SCREWS - PACKAGE 10		
15	53222-3	LOCKWASHERS - PACKAGE 10		
16	53441-2	FIELD ASSEMBLY - PACKAGED		
17	54169-1	MOTOR BASE ASSEMBLY		
18	54352-3	MOTOR ASSEMBLY - PACKAGED		
19	54395-4	ARMATURE, FAN & BRG ASSY-		
20	54396	MOTOR COVER ASSEMBLY - LA		
21	56802-2	TIE - CABLE (PURCHASED)		

Brushroll & Furniture Guard - C2031E

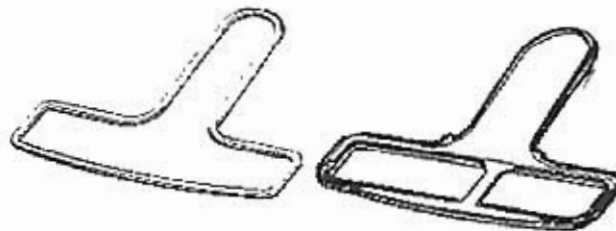


53270
DISTURBULATOR ASS'Y.
INCLUDES

13236-3 DISTURBULATOR TUBE
 52282-4 BRISTLE STRIP ASS'Y.
 26057A DISTURBULATOR CAP
 54256 BEARING RETAINER
 26059A CAP COVER
 53184 KLIPRING
 53158 LOCK NUT
 25937 SHAFT



25922-1 BOTTOM PLATE ASS'Y. INCLUDES
46538 FOAM TAPE

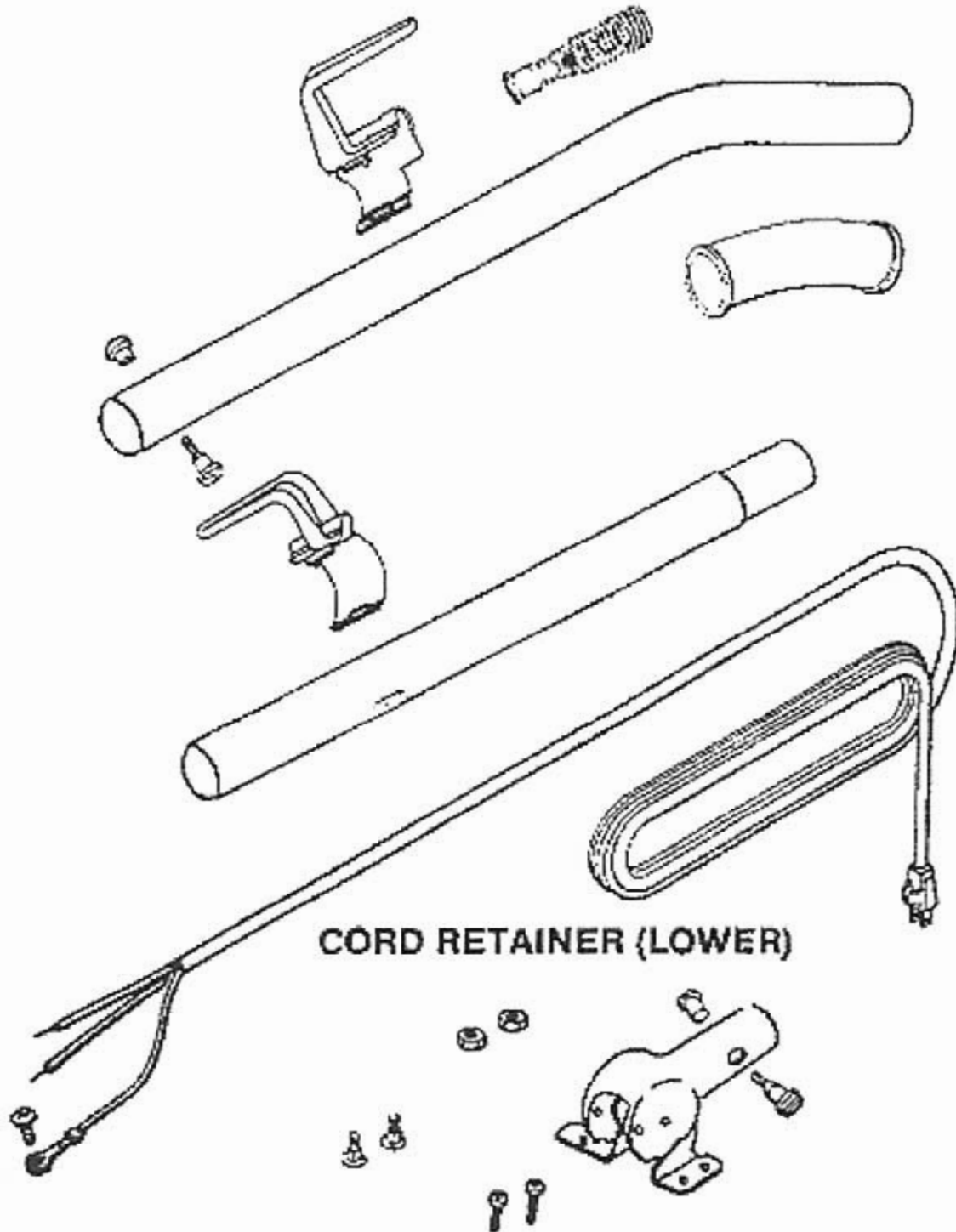


Brushroll & Furniture Guard - C2031E

Ref #	Part	Description	Comments	Qty
1	13236-3	TUBE - DISTURBULATOR		
2	25648-15	GUARD - FURNITURE		
3	25922-1	BOTTOM PLATE ASSEMBLY		
4	25937	SHAFT - DISTURBULATOR		
5	26057A	CAP - DISTURBULATOR		
6	26059A	CAP - COVER		
7	35858-1	Discontinued, use 35858-2		
8	35859A-1	WHEEL - FRONT		
9	35947A	AXLE - FRONT		
10	46538	TAPE-FOAM (use 46538-4)		
11	47562	AXLE - REAR		
12	49899	WASHER - FELT		
13	52282-4	BRISTLE STRIP PACKAGE		
14	53076-2	SPRING & AXLE PACKAGE (6)		
15	53111	CLIP PACKAGE (5)		
16	53158	LOCK NUT PACKAGE		
17	53184	KLIPRING PACKAGE		
18	53238-11	SCREW PACKAGE		
19	53270	DISTURBULATOR ASSEMBLY		
20	54256	BRG & RET ASSY		

Handle - C2031E

**25329-20 UPPER HANDLE ASS'Y. (INCLUDES)
35293-8 HANDLE GRIP**



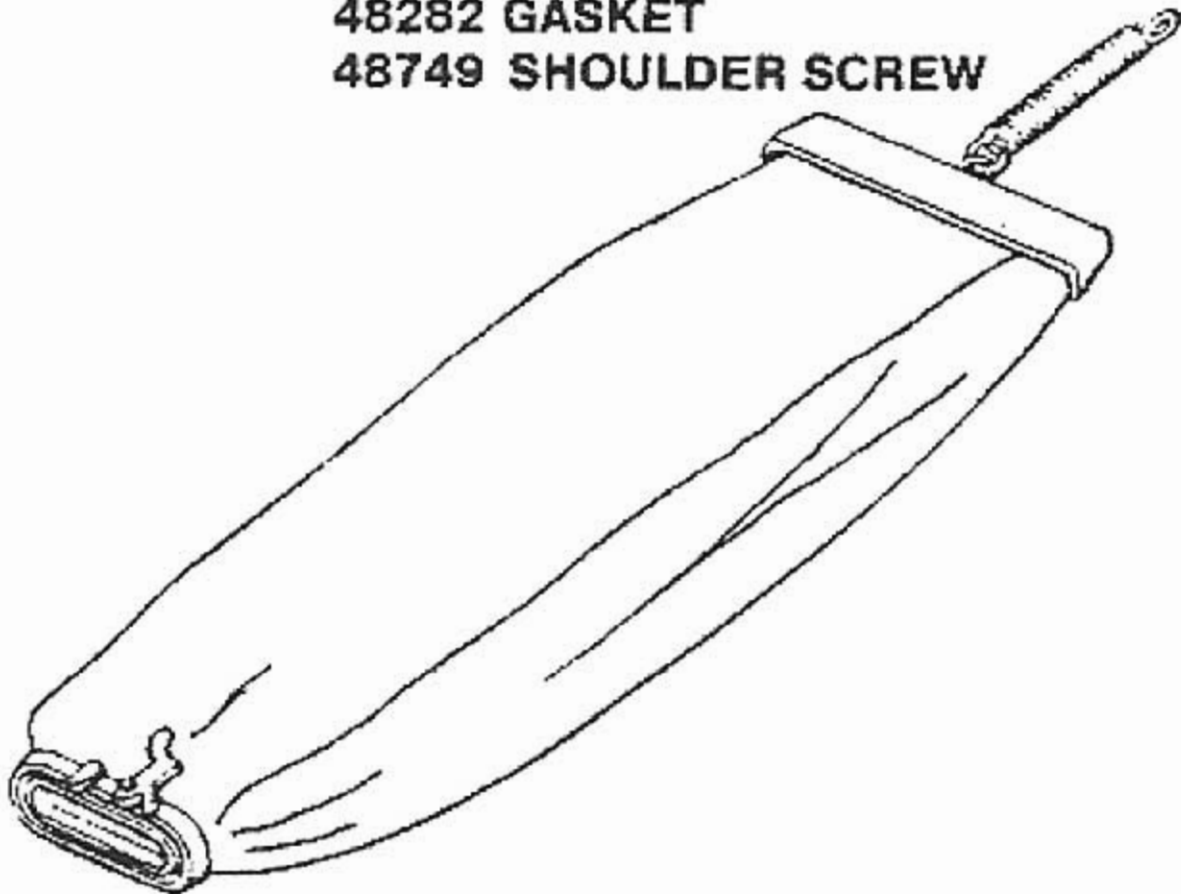
CORD RETAINER (LOWER)

Handle - C2031E

Ref #	Part	Description	Comments	Qty
1	12637-8	TUBE - HANDLE (LOWER)		
2	25329-20	HDLE ASSY-UPPER- (12636-5		
3	35293-8	GRIP - HANDLE		
4	38183-1	HANDLE SOCKET ASSY		
5	38495	SPRING - STRAIN RELIEF PK		
6	52370-14	CORD & TERMINAL ASSY 30 8		
7	53145	BOLT PACKAGE (10)		
8	53198-1	HANDLE SCREW ASSY PACKAGE		
9	53213-5	NUTS - PACKAGE 10		
10	53228-2	SCREWS - PACKAGE 10		
11	53238-13	SCREW PACKAGE		
12	53574-1	RETRN PKG(UPPER&LOWER)BEIGE		

Bag & Wiring Diagram - C2031E

54174-1 BAG ADAPTER
48282 GASKET
48749 SHOULDER SCREW



49461-A HARDWARE PACKAGE
2-HANDLE SCREW ASS'Y.
1-CORD RETAINER SET

Bag & Wiring Diagram - C2031E

Ref #	Part	Description	Comments	Qty
1	30599D-10	CLIP - BAG		
2	47722	SPRING - BAG		
3	48282	GASKET - BAG ADAPTER		
4	48749	PACKAGE - RIVET		
5	54174-1	ADAPTER - BAG		
6	54582-2	BAG ASSEMBLY - PACKAGED		