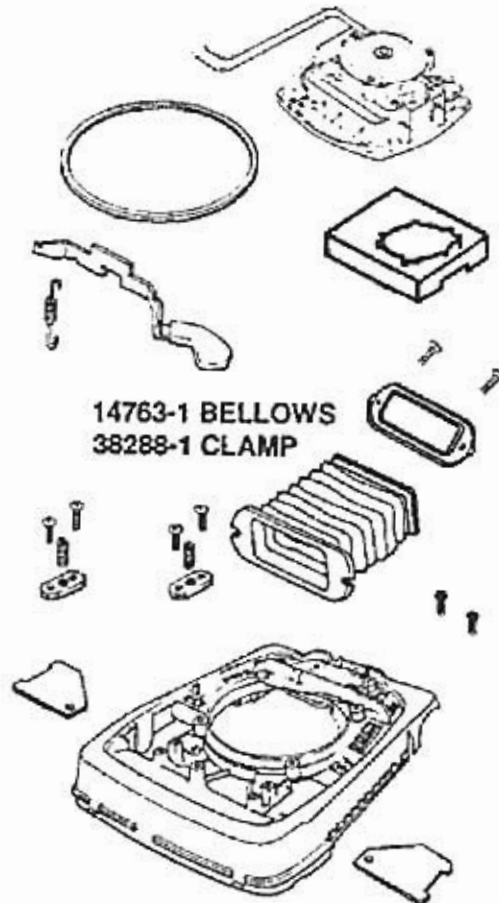




NOT ILLUSTRATED
24964A CAM (R.H.)
24965A CAM (L.H.)
53118 RIVET-CAM
53133 WASHER

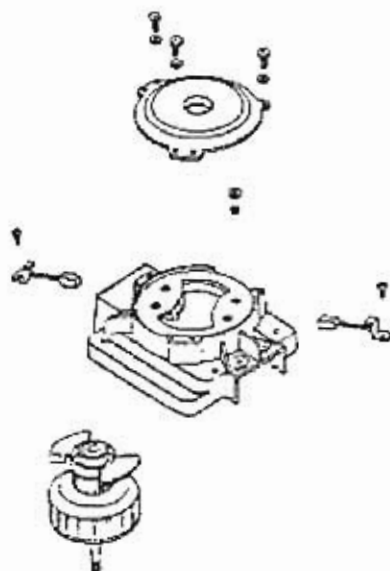


14763-1 BELLOWS
38288-1 CLAMP

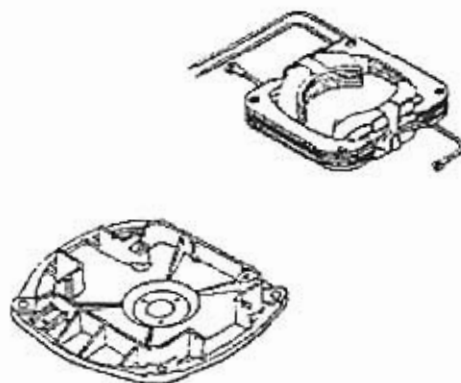
PARTS1 - C2032B

Ref #	Part	Description	Comments	Qty
1	14763-1	BELLOWS		
2	24834A-1	Discontinued, use 24834A-3		
3	24964A	CAM (RIGHT)		
4	24965A	CAM (LEFT)		
5	26808-2	BUTTON - SWITCH		
6	30517	GASKET - MOTOR SEAL		
7	36263	COVER - WHEEL		
8	37989	CLIP - SWITCH		
9	38053-2	KNOB ASSEMBLY		
10	38067	SEPARATOR ASSEMBLY		
11	38218-1	BRACKET - BUSHING		
12	38288-1	CLAMP - BELLOWS		
13	53097	SPRING - FOOT PEDAL PKG (
14	53122	STRAIN RELIEF BUSHING - P		
15	53133	STL WASHERS-PKG (48495 (NLA)		
16	53140	CLAMP & SCREW ASSY PKG		
17	53143	SCREW PACKAGE (10)		
18	53188	WASHER PACKAGE		
19	53214-1	WIRE SPLICE 5		
20	53228-7	SCREWS - PACKAGE 10		
21	53238-13	SCREW PACKAGE		
22	53238-14	SCREW PACKAGE		
23	54005-5	HOOD ASSEMBLY - PACKAGED		
24	54151-2	Discontinued, use 13738-5		
25	54177	WIRE & TERMINAL ASSY		
26	54352-3	MOTOR ASSEMBLY - PACKAGED		
27	57902-1	BASE ASSEMBLY - 12" - CAR		

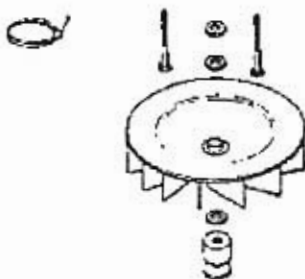
PARTS2 - C2032B



**54395-4 ARMATURE & FAN ASS'Y.
30474A FAN**



**54169-1 MOTOR BASE ASS'Y.
42875 BEARING & RETAINER
53088-1 BEARING (PKG. OF 5)
53187-1 RIVET (PKG. OF 10)**



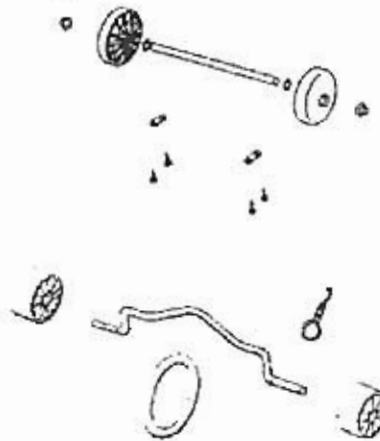
PARTS2 - C2032B

Ref #	Part	Description	Comments	Qty
1	12988	FAN BLOWER - MOTOR		
2	20217E	RETAINER - UPPER BEARING		
3	30474A	FAN - MOTOR COOLING		
4	30478	MOTOR BRUSH ASSEMBLY		
5	37012-2	PULLEY - MOTOR DRIVE		
6	42875	BEARING RETAINER ASSY-W/L		
7	53088-1	BALL BEARING - PACKAGE		
8	53138	SCREWS - PACKAGE 10		
9	53142	SCREW PACKAGE (10)		
10	53148	WASHER - FAN PACKAGE (10)		
11	53187-1	RIVET PACKAGE		
12	53188-1	WASHER PACKAGE		
13	53213-4	NUTS - PACKAGE 10		
14	53219-2	SCREWS - PACKAGE 10		
15	53222-3	LOCKWASHERS - PACKAGE 10		
16	53441-2	FIELD ASSEMBLY - PACKAGED		
17	54169-1	MOTOR BASE ASSEMBLY		
18	54352-3	MOTOR ASSEMBLY - PACKAGED		
19	54395-4	ARMATURE, FAN & BRG ASSY-		
20	54396	MOTOR COVER ASSEMBLY - LA		
21	56802-2	TIE - CABLE (PURCHASED)		

PARTS3 - C2032B

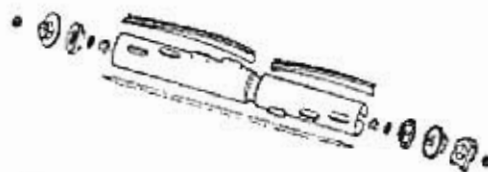


37234-1 WHEEL & AXLE ASS'Y. (INCLUDES)
53110 WHEEL WASHER
37183 REAR AXLE
53121 PUSHNUT

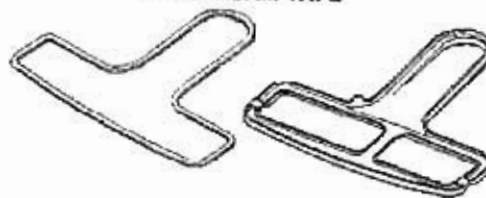


NOTE
PT. NO. 53270
DISTURBULATOR ASS'Y.
INCLUDES*

13235-3 DISTURBULATOR TUBE
52282-4 BRISTLE STRIP ASS'Y.
26057A DISTURBULATOR CAP
54256 BEARING RETAINER
49899 FELT WASHER
53158 LOCK NUT
53184 KLIPRING
25937 SHAFT



25922-1 BOTTOM PLATE ASS'Y. (INCLUDES)
46538 FOAM TAPE

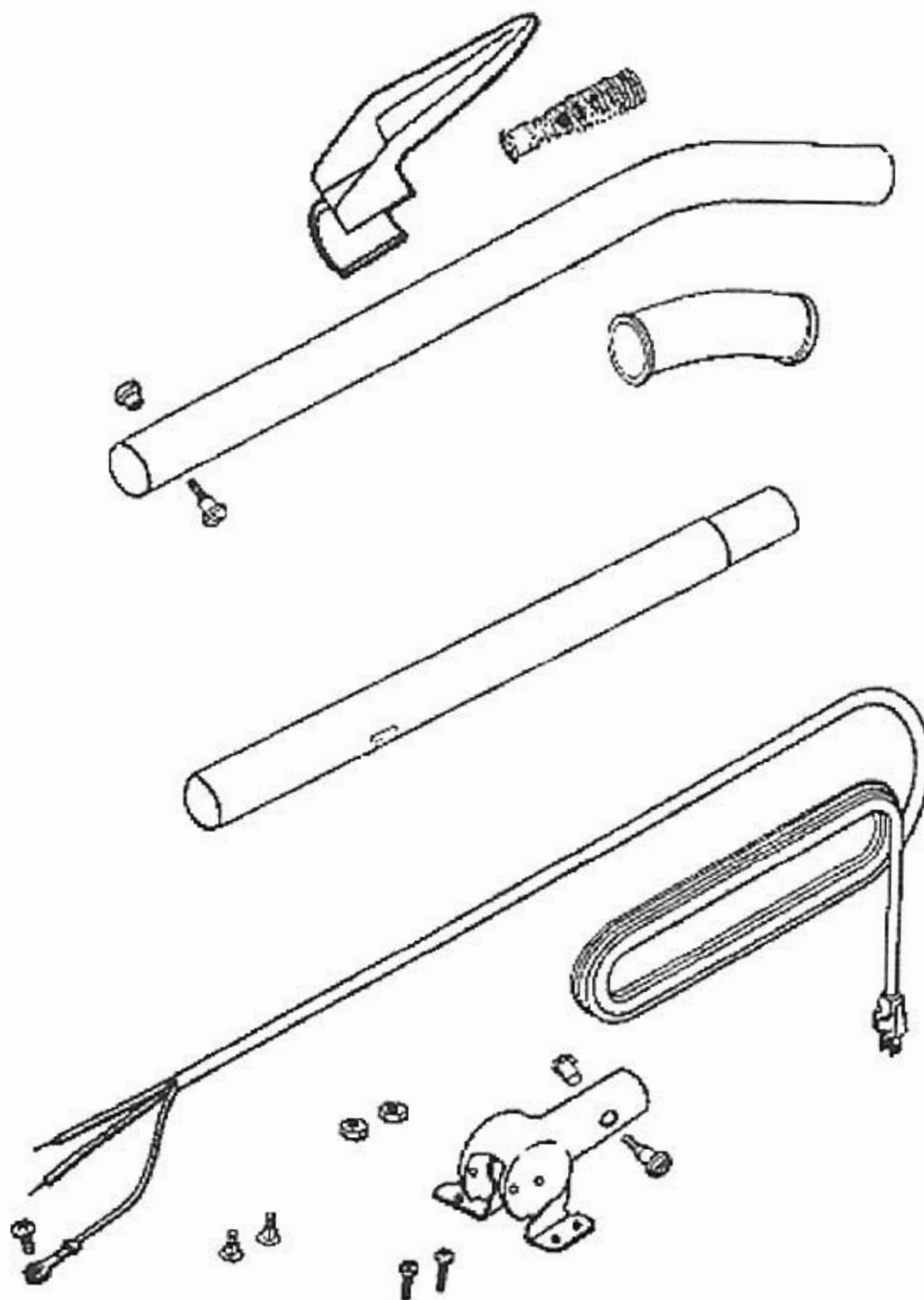


PARTS3 - C2032B

Ref #	Part	Description	Comments	Qty
1	13236-3	TUBE - DISTURBULATOR		
2	25922-1	BOTTOM PLATE ASSEMBLY		
3	25937	SHAFT - DISTURBULATOR		
4	26057A	CAP - DISTURBULATOR		
5	26059A	CAP - COVER		
6	26242-1	REAR WHEEL use 26242-119N		
7	26296-9	Discontinued, use 27564-1		
8	35859A-1	WHEEL - FRONT		
9	35947A	AXLE - FRONT		
10	37183	AXLE - REAR		
11	37234-1	WHEEL & AXLE ASSY		
12	46538	TAPE-FOAM (use 46538-4)		
13	49899	WASHER - FELT		
14	52282-4	BRISTLE STRIP PACKAGE		
15	53076-2	SPRING & AXLE PACKAGE (6)		
16	53110	WASHER - WHEEL PACKAGE (1)		
17	53121	PUSH NUT PACKAGE (10)		
18	53158	LOCK NUT PACKAGE		
19	53184	KLIPRING PACKAGE		
20	53201	AXLE CLAMP - PACKAGED		
21	53238-11	SCREW PACKAGE		
22	53270	DISTURBULATOR ASSEMBLY		
23	54256	BRG & RET ASSY		

PARTS4 - C2032B

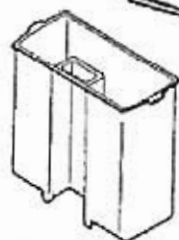
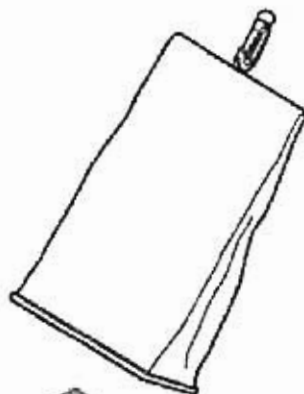
**25329-37 UPPER HANDLE ASS'Y. (INCLUDES)
35293-6 HANDLE GRIP**



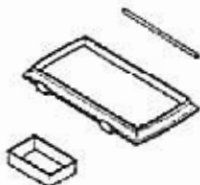
PARTS4 - C2032B

Ref #	Part	Description	Comments	Qty
1	14766-2	RETAINER - CORD (UPPER)		
2	25329-37	HANDLE ASSEMBLY (UPPER)		
3	27261-2	TUBE - HANDLE (LOWER)		
4	35293-6	GRIP - HANDLE		
5	38183-1	HANDLE SOCKET ASSY		
6	38495	SPRING - STRAIN RELIEF PK		
7	52370-12	CORD & TERMINAL ASSY-FB-5		
8	53145	BOLT PACKAGE (10)		
9	53198-1	HANDLE SCREW ASSY PACKAGE		
10	53213-5	NUTS - PACKAGE 10		
11	53228-2	SCREWS - PACKAGE 10		
12	53238-13	SCREW PACKAGE		

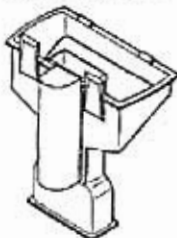
PARTS5 - C2032B



54422-5 BAG ASS'Y.
58223 BAG GASKET



14844-7 DIRT CUP ASS'Y. (INCLUDES)
54561-1 DIRT CUP SUPPORT
& LATCH ASS'Y.
55399-1 COVER PIN
14765-1 BAG FLANGE
01959-1 DIRT CUP
38289 GASKET
26266-2 CLAMP



57838 HARDWARE PKG.
1-CORD RETAINER
2-HANDLE SCREW ASS'Y.
2-BAG SCREW
1 CABLE CLAMP
1-SCREW



PARTS5 - C2032B

Ref #	Part	Description	Comments	Qty
1	01959-1	Discontinued, use 01959-313N		
2	14765-1	FLANGE - BAG (OUTER)		
3	14844-7	DIRT CUP ASSY		
4	26266-2	CLAMP		
5	38289	GASKET		
6	54422-5	BAG ASSEMBLY - PACKAGED		
7	55399-1	PIN COVER		
8	57686-1	HOOK - SNAP		
9	57711	RING STEEL		
10	57838	HARDWARE PKG		
11	58223	GASKET - DIRTCUP		
	54422-7	BAG ASSEMBLY - PACKAGED		