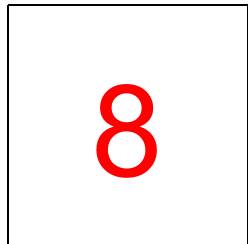




Signature

COMMERCIAL
lightweight



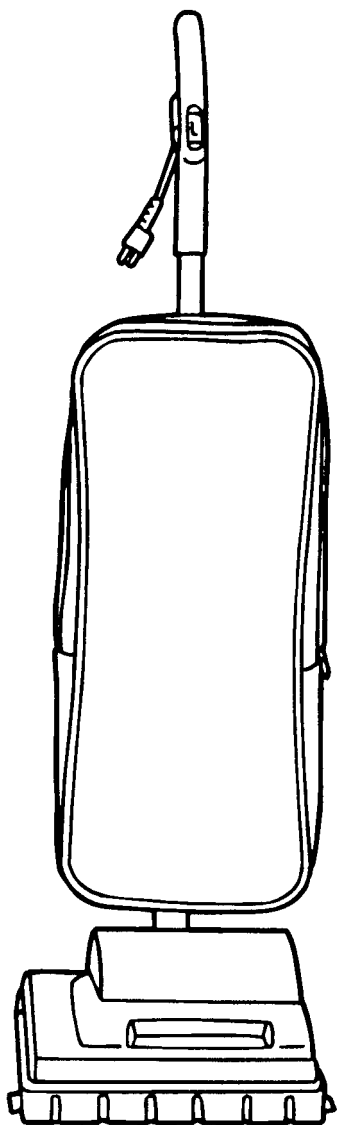
SECTION CONTENTS

MODEL No.
C1320

PAGE No.
8-2 THRU 8-3

MODEL No.

C1320



FOR VACUUM CLEANER PARTS PLEASE CALL 608-836-7771

- * PRICING, SPECIFICATION'S, AND PRODUCT AVAILABILITY ARE SUBJECT TO CHANGE WITHOUT NOTICE. PRICING IS FOB FACTORY, CANTON, OH
- * ALL INFORMATION CONTAINED WITHIN THIS SERVICE MANUAL IS PROPRIETARY INFORMATION OF TTI FLOOR CARE NORTH AMERICA.
- * **WARNING:** TO REDUCE THE RISK OF ELECTRICAL SHOCK OR INJURY, ALWAYS DISCONNECT THE APPLIANCE CORD FROM THE ELECTRICAL OUTLET OR REMOVE BATTERY PRIOR TO SERVICING THE UNIT.



Signature

COMMERCIAL

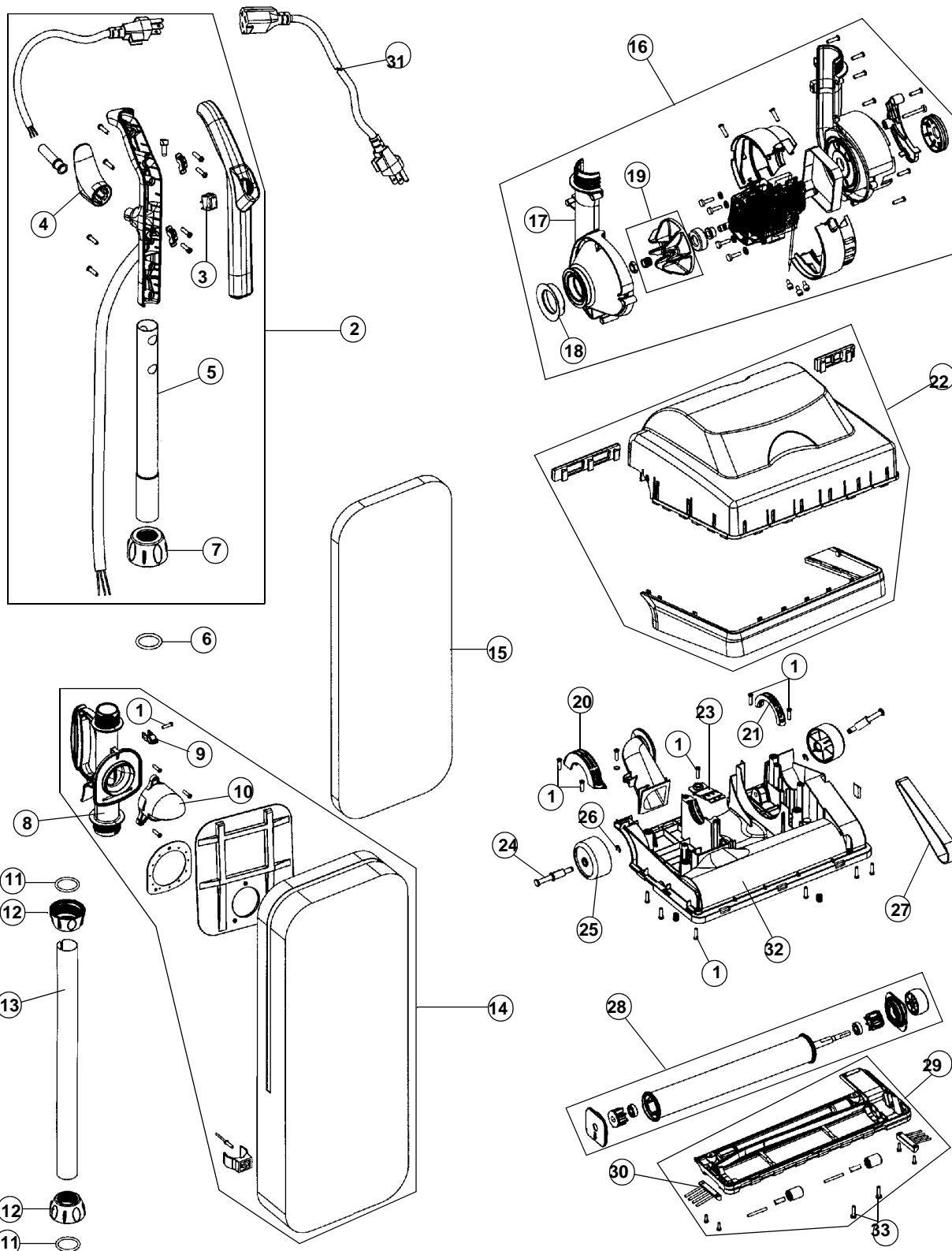
lightweight

8

ASSEMBLY SCHEMATIC

MODEL No.

C1320



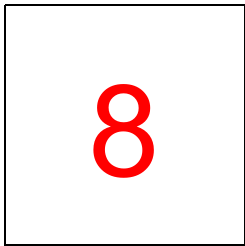
FOR VACUUM CLEANER PARTS PLEASE CALL 608-836-7771



Signature

COMMERCIAL

lightweight



PART LISTING / PRICE LIST

MODEL No.

C1320

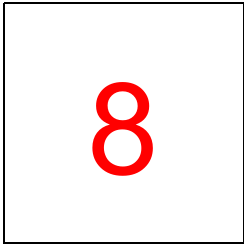
FOR VACUUM CLEANER PARTS PLEASE CALL 608-836-7771

| ITEM | PART NUMBER | MODELS To FIT | PART DESCRIPTION | LIST COST |
|------|-------------|---------------|-----------------------------------|-----------|
| 1 | 1503819000 | C1320 | BODY SCREW | .08 |
| 2 | | C1320 | UPPER HANDLE ASSEMBLY | PENDING |
| 3 | 1JR0010000 | C1320 | SWITCH | 2.45 |
| 4 | 1JR0012000 | C1320 | CORD HOOK | .43 |
| 5 | 1JR0018000 | C1320 | UPPER HANDLE TUBE | 6.26 |
| 6 | 1JR0027000 | C1320 | HANDLE O-RING GASKET -SMALL ROUND | .99 |
| 7 | 1JR0026000 | C1320 | UPPER HANDLE COLLAR | 1.20 |
| 8 | 1JR0028000 | C1320 | CARRYING HANDLE TUBE GRIP | 10.69 |
| 9 | 1JR0029000 | C1320 | CORD CLIP | .99 |
| 10 | 1JR0035000 | C1320 | DIRT INLET | .99 |
| 11 | 1RYV650000 | C1320 | HANDLE O-RING GASKET - V SHAPE | .39 |
| 12 | 1JR0025000 | C1320 | LOWER HANDLE COLLAR | 1.02 |
| 13 | 1JR0023000 | C1320 | LOWER HANDLE TUBE | 6.19 |
| 14 | | C1320 | CLOTH BAG ASSEMBLY - HEPA | PENDING |
| 15 | 4010102B | C1320 | TYPE B BAG -ALLERGEN | .42 |
| | 4010103B | C1320 | TYPE B BAG - 3 PACK / ALLERGEN | 3.91 |
| | 43655119 | C1320 | TYPE B BAG - HEPA | 5.93 |
| 16 | | C1320 | COMPLETE MOTOR ASSEMBLY | PENDING |
| 17 | 1JR0015000 | C1320 | MOTOR FAN COVER | 10.13 |
| 18 | 1JR0014000 | C1320 | FAN COVER SEAL | .99 |
| 19 | 1JR0013000 | C1320 | FAN | 4.91 |
| 20 | 1JR0031000 | C1320 | LEFT CLAMP | .99 |
| 21 | 1JR0030000 | C1320 | RIGHT CLAMP | .99 |
| 22 | | C1320 | NOZZLE COVER WITH BUMPERS | PENDING |
| 23 | 1JR0022000 | C1320 | HANDLE STOPPER | .99 |
| 24 | 1JR0021000 | C1320 | WHEEL PIN | 1.48 |
| 25 | 1JR0019000 | C1320 | WHEEL ASSEMBLY | 2.38 |
| 26 | 1JR0020000 | C1320 | WHEEL E-CLIP | .03 |
| 27 | 40201318 | C1320 | STYLE 18 BELT - 2PACK | 1.50 |
| 28 | 2JR0010000 | C1320 | BRUSH ROLL ASSEMBLY | 22.60 |
| 29 | 1JR0032000 | C1320 | NOZZLE GUARD ASSEMBLY | 13.35 |
| 30 | 1JR0033000 | C1320 | EDGE CLEANER ASSEMBLY | .99 |
| 31 | 1JR2100000 | C1320 | POWER EXTENSION CORD | 68.40 |
| 33 | 513175001 | C1320 | NOZZLE BASE | 21.60 |
| 34 | 1JV0103000 | C1320 | SCREW - NOZZLE GUARD | .37 |



Signature

COMMERCIAL
lightweight



NOTES

MODEL No.

C1320

FOR VACUUM CLEANER PARTS PLEASE CALL 608-836-7771