

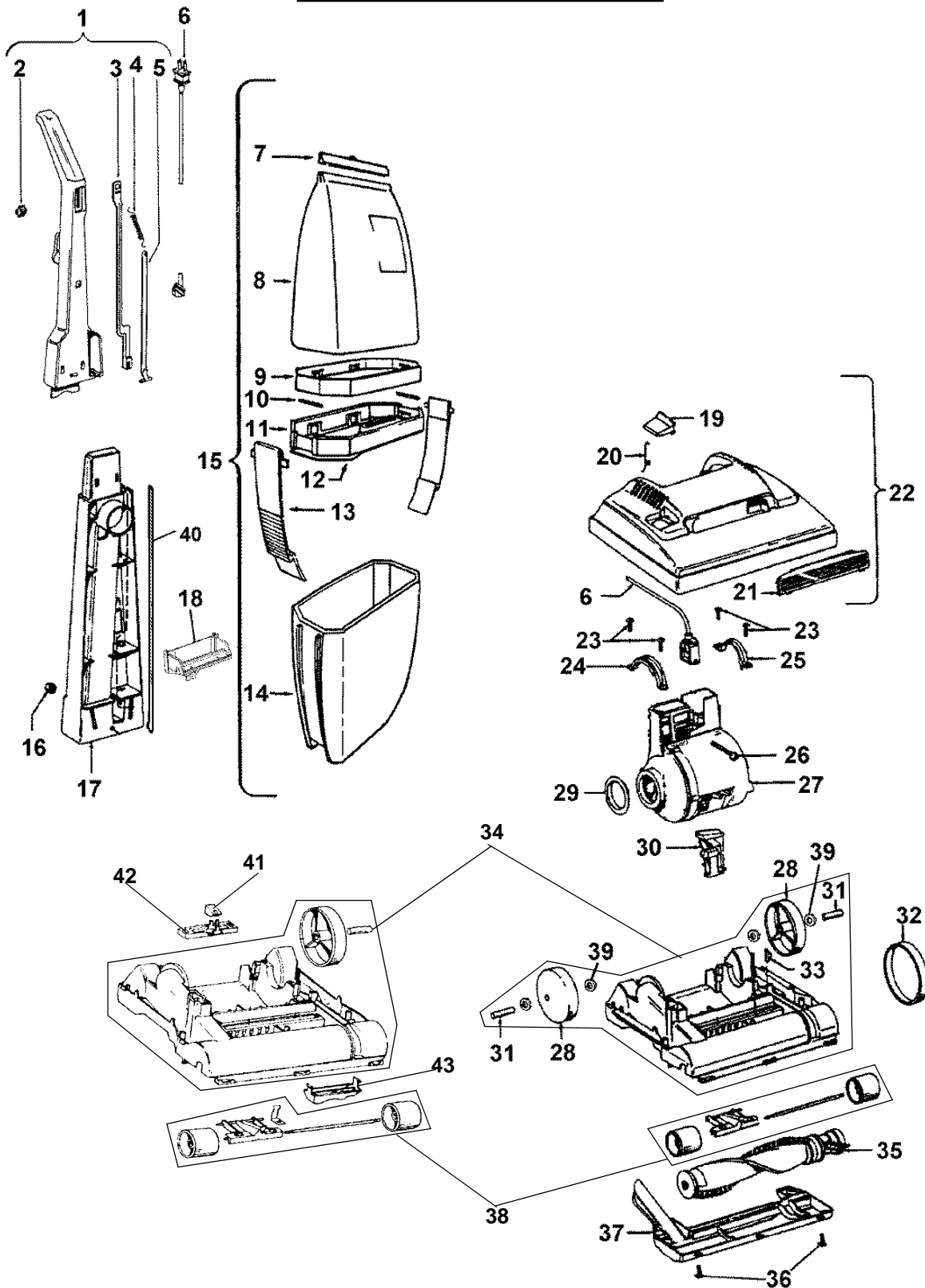


2

ASSEMBLY SCHEMATIC

MODEL NO.

C1415



FOR VACUUM CLEANER PARTS PLEASE CALL 608-836-7771



2

PART LISTING / PRICE LIST

MODEL No.

C1415

ITEM	PART NUMBER	MODELS TO FIT	PART DESCRIPTION	LIST COST
1	48663179	C1415	HANDLE	16.19
2	38421015	C1415	SWITCH BUTTON	.40
3	38458011	C1415	UPPER SWITCH ROD	-
4	38335020	C1415	BAG STRAP SPRING	1.39
5	36425071	C1415	BAG STRAP	1.39
6	46368005	C1415	POWER CORD - 35' BLACK	16.19
7	36425067	C1415	BAG HOLDER	2.80
8	43681010	C1415	BAG ASSEMBLY COMPLETE	39.95
9	35173001	C1415	BAG EXPANDER	4.31
10	34122009	C1415	SEAL	1.07
11	36426045	C1415	DIRT CUP SUPPORT	9.71
12	34123020	C1415	GASKET	1.07
13	36155011	C1415	LATCH	5.93
14	38775064	C1415	DIRT CUP	15.11
15	43681015	C1415	BAG ASSEMBLY COMPLETE WITH DIRT CUP	118.79
16	40201085	C1415	NUT AND BOLT ASSEMBLY	.59
17	48669017	C1415	LOWER HANDLE ASSEMBLY	16.19
18	36426050	C1415	DIRT CUP SUPPORT - LOWER	2.80
19	37257257	C1415	DOOR - PRIOR TO 4/4/08	N.A.
	37257143	C1415	DOOR - AFTER 4/4/08	N.A.
20	38351013	C1415	SPRING	N.L.A.
21	37246130	C1415	NOZZLE COVER PANEL	2.80
22	42252A94	C1415	HOOD / NOZZLE COVER - PRIOR TO 4/4/08	30.23
	42252B43	C1415	HOOD / NOZZLE COVER - AFTER 4/4/08	24.94
23	21447217	C1415	SCREW - SELF TAPPING	1.07
24	36131057	C1415	MOTOR RETAINER CAP	1.39
25	36131090	C1415	MOTOR REATINER	.56
26	40201085	C1415	NUT AND BOLT ASSEMBLY	.59
27	43576201	C1415	MOTOR	75.59
28	38522011	C1415	REAR WHEEL	2.15
29	38784016	C1415	SEAL	1.39
30	38458022	C1415	HANDLE RELEASE LEVER	2.80
31	31531008	C1415	WHEEL SHAFT	1.07
32	38528040	C1415	BELT	2.79
33	013261AY	C1415	RIB SHOE	.54

FOR VACUUM CLEANER PARTS PLEASE CALL 608-836-7771



2

PART LISTING / PRICE LIST

MODEL No.

C1415

ITEM	PART NUMBER	MODELS TO FIT	PART DESCRIPTION	LIST COST
34	42242280	C1415	MAIN BODY / NOZZLE BASE ASSEMBLY - PRIOR TO 4/4/08	25.00
	42242281	C1415	MAIN BODY / NOZZLE BASE ASSEMBLY - AFTER 4/8/08	25.67
35	48414081	C1415	AGITATOR / BRUSH ROLL ASSEMBLY	23.21
36	21447121	C1415	SCREW	.54
37	37245017	C1415	BOTTOM PLATE / NOZZLE GUARD	7.55
38	43248072	C1415	FRONT WHEEL - PRIOR TO 4/4/08	7.20
	43248073	C1415	FRONT WHEEL - AFTER 4/8/08	7.67
39	21312787	C1415	WASHER	N.A.
40	38458046	C1415	LOWER SWITCH ROD	1.72
41	38421070	C1415	INDICATOR KNOB - AFTER 4/8/08	1.39
42	38567008	C1415	CAM ACTUATOR - AFTER 4/8/08	1.07
43	38563011	C1415	HEIGHT ADJUSTMENT CAM - AFTER 4/8/08	1.61

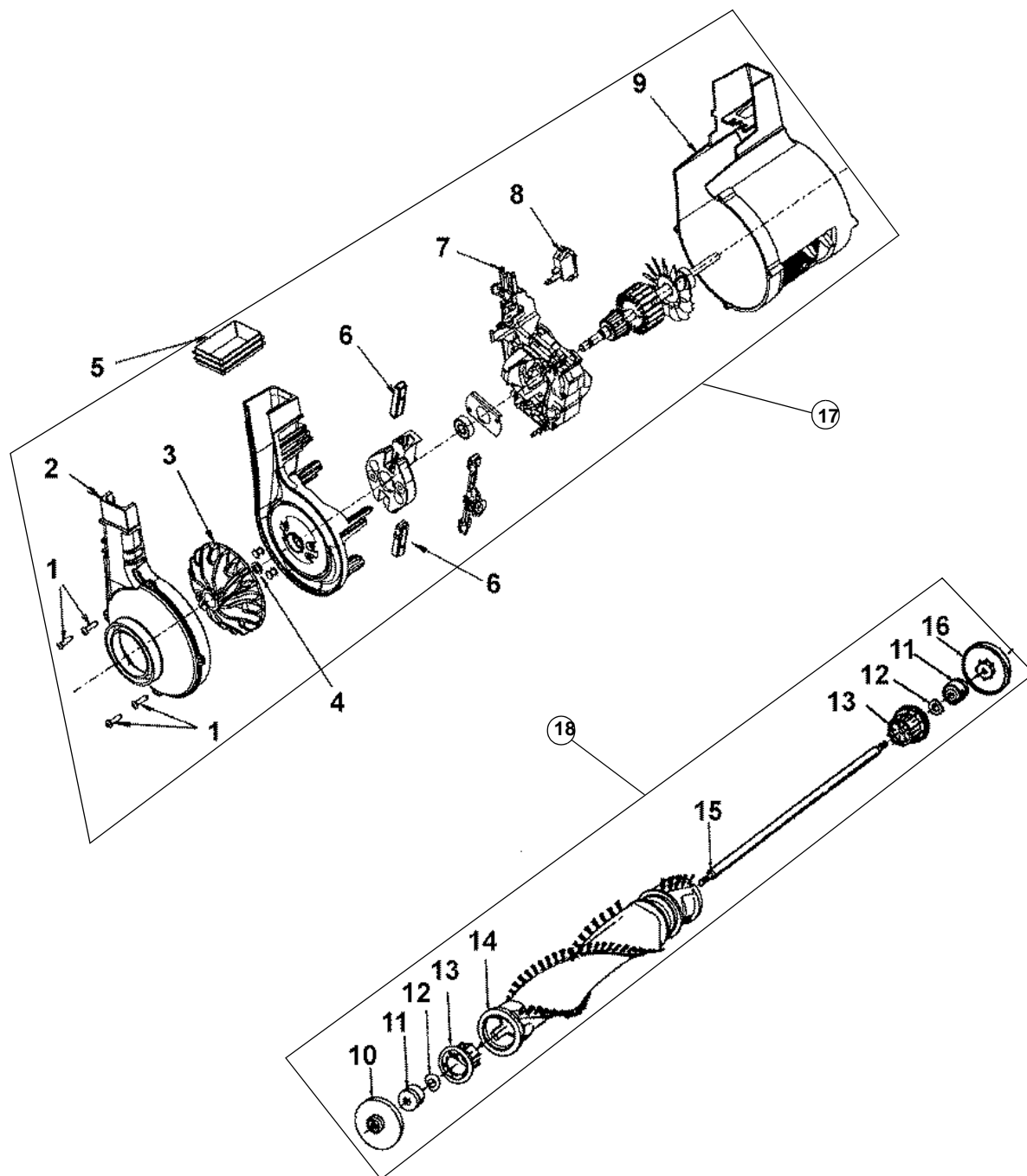


2

ASSEMBLY SCHEMATIC

MODEL NO.

C1415



FOR VACUUM CLEANER PARTS PLEASE CALL 608-836-7771



2

PART LISTING / PRICE LIST

ITEM	PART NUMBER	MODELS TO FIT	PART DESCRIPTION	LIST COST
1	214793DA	C1415	SCREW - SELF TAPPING 5/8"	.54
2	38736033	C1415	FAN CHAMBER	2.91
3	43565006	C1415	FAN / NUT ASSEMBLY	6.47
4	21312793	C1415	WASHER	.54
5	38783020	C1415	DUCT SEAL - MOLDED	1.39
6	41311022	C1415	MOTOR BRUSH	3.55
7	36914004	C1415	SWITCH BAR	1.07
8	28218043	C1415	ROCKER SWITCH	4.31
9	37194049	C1415	MOTOR END CAP	10.79
10	36423016	C1415	THREAD GUARD - RIGHT	1.39
11	43267002	C1415	AGITATOR BEARING ASSEMBLY	2.47
12	21347003	C1415	CONICAL WASHER	1.07
13	36422022	C1415	AGITATOR END	1.61
14		C1415	AGITATOR BODY	-
15		C1415	AGITATOR ROD	-
16	36423017	C1415	THREAD GUARD - LEFT	1.39
17	43576201	C1415	MOTOR ASSEMBLY	75.59
18	48414081	C1415	AGITATOR / BRUSH ROLL ASSEMBLY	23.21

MODEL No.

C1415