



GUARDSMAN™

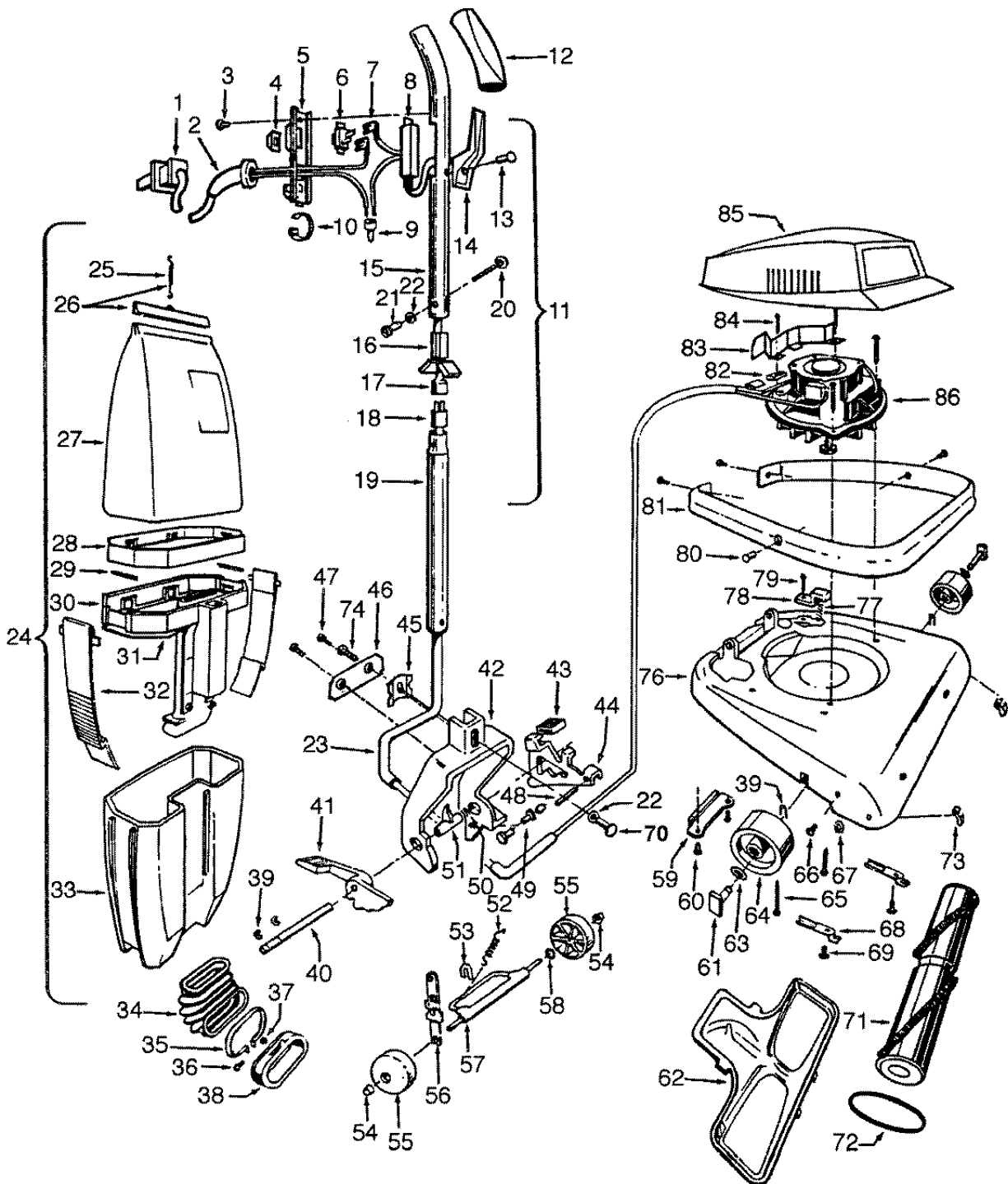
2

ASSEMBLY SCHEMATIC

MODEL NO.

C1433

FOR VACUUM CLEANER PARTS PLEASE CALL 608-836-7771





GUARDSMAN™

2

PART LISTING / PRICE LIST

MODEL No.

C1433

ITEM	PART NUMBER	MODELS TO FIT	PART DESCRIPTION	LIST COST
1	91001053	C1433	POWER CORD	19.43
2	36216002	C1433	CORD PROTECTOR	1.72
3	21465314	C1433	SCREW	1.07
4	38421012	C1433	SWITCH BUTTON	1.07
5	37258110	C1433	SWITCH COVER	4.31
6	281770KD	C1433	SWITCH	N.L.A.
7	27666702	C1433	TERMINAL	.81
8	37214070	C1433	SWITCH CASE	3.88
9	012227--	C1433	TERMINALS	.75
10	27479307	C1433	CABLE TIE	.22
11	48644108	C1433	HANDLE COMPLETE	49.90
12	39454070	C1433	HANDLE GRIP	2.80
13	21256094	C1433	RIVET	N.A.
14	39441016	C1433	CORD CLIP	3.23
15	48644114	C1433	UPPER HANDLE	23.21
16	36913007	C1433	INSULATOR	N.A.
17	47155005	C1433	CONNECTOR / PLUG ASSEMBLY	7.01
18	46321033	C1433	CONNECTOR CORD	10.79
19	32284023	C1433	LOWER HANDLE	10.79
20	21631301	C1433	HANDLE CLAMP BOLT	1.07
21	32277021	C1433	HANDLE NUT	3.77
22	013704--	C1433	LOCK WASHER	.33
23	38313023	C1433	MOTOR LEAD SPRING	N.A.
24	43675188	C1433	DIRT CUP ASSEMBLY	40.50
25	38335009	C1433	SUPPORT SPRING	1.39
26	41128021	C1433	BAG CLIP AND SPRING	9.28
27	43667056	C1433	CLOTH BAG ASSEMBLY	39.95
28	35173001	C1433	BAG EXPANDER	4.31
29	34122009	C1433	SEAL	1.07
30	41427006	C1433	SUPPORT AND BELLOW	38.87
31	34123020	C1433	GASKET	1.07
32	36155011	C1433	LATCH	5.93
33	38775001	C1433	DIRT CUP	19.43
34	38673001	C1433	BELLOWS	2.69
35	049044--	C1433	CLAMP BAND	2.47
36	017206--	C1433	SCREW	.38

FOR VACUUM CLEANER PARTS PLEASE CALL 608-836-7771



GUARDSMAN™

2

PART LISTING / PRICE LIST

MODEL No.

C1433

ITEM	PART NUMBER	MODELS TO FIT	PART DESCRIPTION	LIST COST
37	015854EF	C1433	NUT	.41
38	41424011	C1433	BAG FLANGE WITH SEALANT	4.31
39	013730--	C1433	LOCK RING	.38
40	161509AY	C1433	BAIL / HANDLE FORK SHAFT	2.15
41	38452051	C1433	NOZZLE ADJUSTMENT LEVER	2.47
42	41416077	C1433	BAIL / HANDLE FORK	32.39
43	38426080	C1433	FOOT PAD	N.L.A.
44	43137047	C1433	HANDLE LEVER	4.31
45	35463011	C1433	HANDLE RETAINER PLATE	1.39
46	37954004	C1433	BAIL / HANDLE FORK COVER PLATE	1.72
47	012954--	C1433	SCREW	N.A.
48	047450AY	C1433	PIVOT PIN	1.07
49	12002663	C1433	HANDLE ROLL PIN	1.00
50	048409FW	C1433	SPRING	1.07
51	019907--	C1433	BAG FLANGE CLAMP LEVER	1.07
52	161513--	C1433	SPRING	1.07
53	34252005	C1433	YOKE	.54
54	32182001	C1433	WHEEL RETAINER	.54
55	38521019	C1433	REAR WHEEL	1.87
56	43263003	C1433	CAM FOLLOWER - PLASTIC	3.23
57	41431013	C1433	WHEEL SHAFT AND SUPPORT	6.04
58	21312806	C1433	WASHER	1.07
59	35434040	C1433	AXLE / BAG FLANGE RETAINER	1.93
60	214793DA	C1433	SCREW - SELF TAPPING	.54
61	047457AY	C1433	FRONT WHEEL SHAFT	1.07
62	37245081	C1433	BOTTOM PLATE - PLASTIC	10.78
63	21312724	C1433	WASHER	1.07
64	034791AG	C1433	FRONT WHEEL	2.47
65	21447020	C1433	SCREW	.54
66	048422--	C1433	RIVET	N.A.
67	21312781	C1433	SUPPORT WASHER	1.07
68	36153006	C1433	LATCH	1.07
69	214793DA	C1433	SCREW - SELF TAPPING	.54
70	32277008	C1433	HANDLE CLAMP NUT	1.07
71	48414021	C1433	AGITATOR ASSEMBLY	32.39
	48445001	C1433	AGITATOR BRUSH - BACK	3.23

FOR VACUUM CLEANER PARTS PLEASE CALL 608-836-7771



GUARDSMAN™

2

PART LISTING / PRICE LIST

MODEL No.

C1433

ITEM	PART NUMBER	MODELS TO FIT	PART DESCRIPTION	LIST COST
	048495AY	C1433	THREAD GUARD - LEFT	3.23
	41435070	C1433	AGITATOR END	6.47
	43267002	C1433	AGITATOR BEARING ASSEMBLY	2.47
	21347003	C1433	CONICAL WASHER	1.07
	012985AY	C1433	THREAD GUARD - RIGHT	2.15
	32724008	C1433	AGITATOR SHAFT	2.47
72	044783AG	C1433	BELT	.89
73	34784021	C1433	AGITATOR RETAINING SPRING	1.07
74	21631302	C1433	HANDLE BOLT	1.07
75		C1433	PART NOT AVAILABLE	-
76	42242269	C1433	MAIN BODY / NOZZLE BASE	39.95
77	012559FW	C1433	SPRING	1.07
78	34665007	C1433	PIVOT PIN RETAINER	1.07
79	214793DA	C1433	SCREW - SELF TAPPING	.54
80	012997AW	C1433	RIVET	.54
81	36231042	C1433	FURNITURE GUARD	6.47
82	41119009	C1433	RETAINER AND SLEEVING	1.39
83	34287012	C1433	BAFFLE	1.61
84	21447220	C1433	SCREW	.54
85	42251015	C1433	HOOD / NOZZLE COVER	21.59
86	43574193	C1433	MOTOR ASSEMBLY	97.20
	58216006	C1433	DIRT CUP MIDDLE	N.A.
	58343025	C1433	FRONT SUPPORT	N.A.
	58366012	C1433	REAR SUPPORT	N.A.

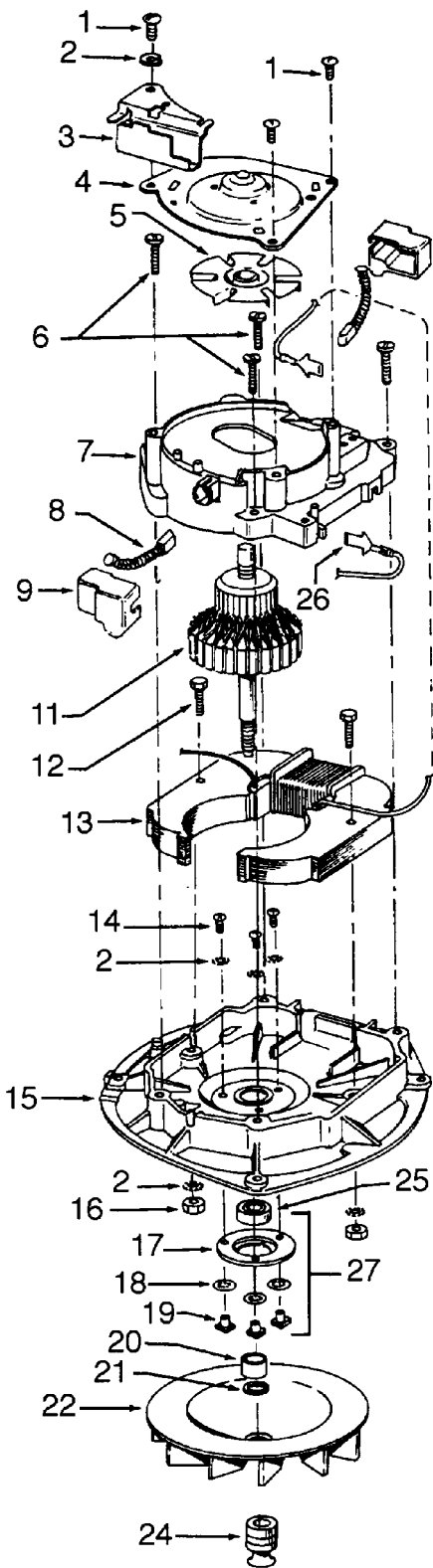
FOR VACUUM CLEANER PARTS PLEASE CALL 608-836-7771



GUARDSMAN™

2

ASSEMBLY SCHEMATIC



MODEL NO.

C1433

FOR VACUUM CLEANER PARTS PLEASE CALL 608-836-7771



GUARDSMAN™

2

PART LISTING / PRICE LIST

MODEL No.

C1433

ITEM	PART NUMBER	MODELS TO FIT	PART DESCRIPTION	LIST COST
1	045533AY	C1433	SCREW	N.A.
2	014062--	C1433	LOCK WASHER	.38
3	41961009	C1433	INDICATOR GUIDE ASSEMBLY	N.A.
4	42934002	C1433	UPPER MOTOR BEARING	4.85
5	38755004	C1433	VENTILATING FAN	2.15
6	161535--	C1433	SCREW	N.A.
7	019857--	C1433	UPPER MOTOR CASING	N.A.
8	47318012	C1433	MOTOR BRUSH	2.80
9	36315003	C1433	BRUSH CAP	1.07
11	44768051	C1433	ARMATURE	53.99
12	045118--	C1433	FIELD BOLT	1.07
13	45412015	C1433	FIELD COIL	N.A.
14	21772501	C1433	SCREW	.54
15	42193006	C1433	MOTOR CASE -LEFT	7.56
16	015673--	C1433	HEX NUT	.38
17	32184003	C1433	BEARING RETAINER - 8MM	N.A.
18	019772--	C1433	LOCK WASHER	.54
19	045251--	C1433	NUT	1.07
20	31731002	C1433	FAN SPACER - 8MM	N.L.A.
21	166563--	C1433	WASHER	.85
22	38755011	C1433	FAN	3.42
24	43251003	C1433	MOTOR PULLEY	9.71
25	24152807	C1433	MOTOR BEARING - 8MM	3.69
26	014320--	C1433	TERMINAL	.15
27	43267006	C1433	BEARING ASSEMBLY COMPLETE	14.03
	35276006	C1433	INDICATOR GUIDE SPRING	N.A.

FOR VACUUM CLEANER PARTS PLEASE CALL 608-836-7771