



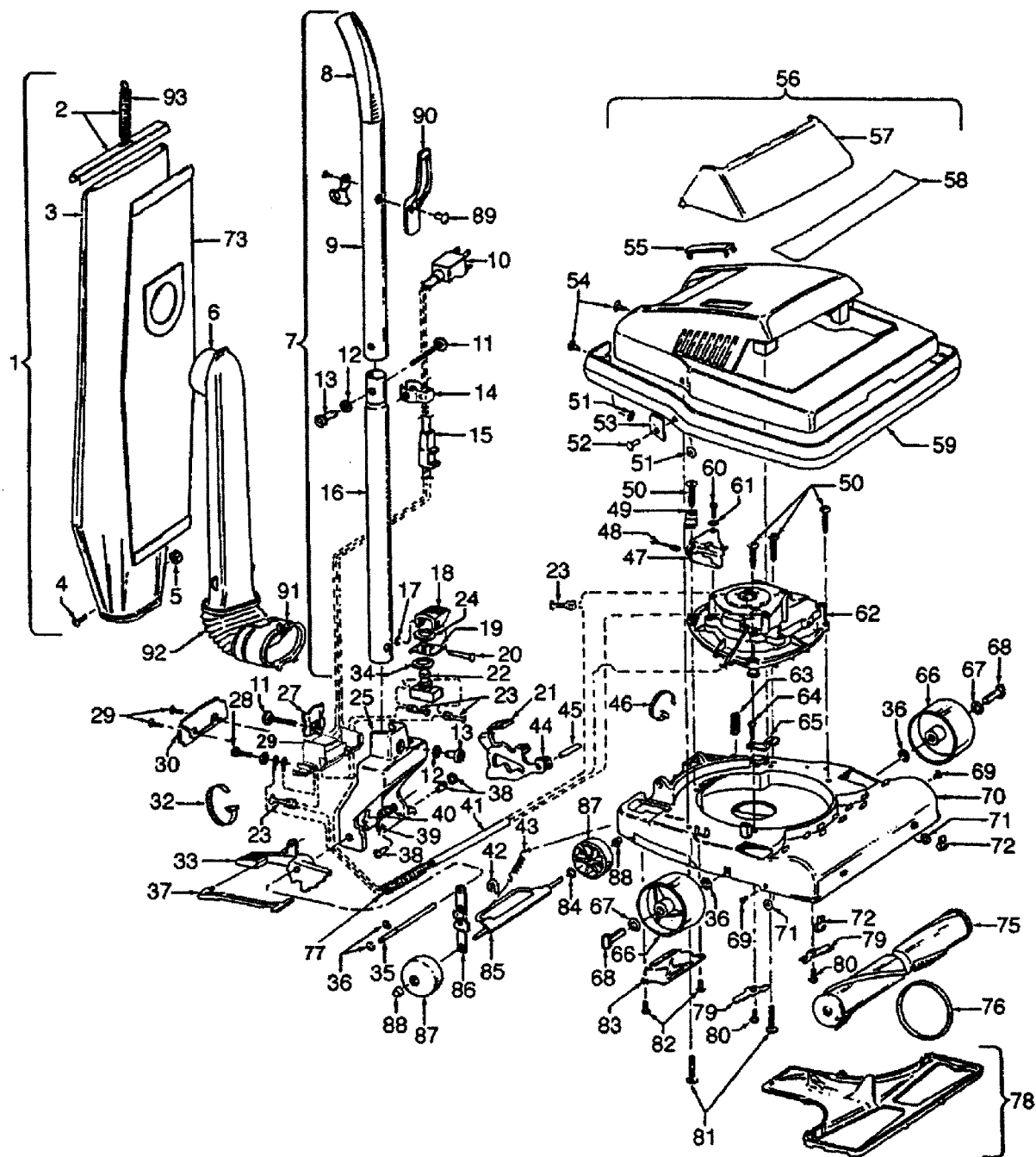
Professional³

1

ASSEMBLY SCHEMATIC

MODEL NO.

C1632



FOR VACUUM CLEANER PARTS PLEASE CALL 608-836-7771



Professional[®]

1

PART LISTING / PRICE LIST

MODEL No.

C1632

ITEM	PART NUMBER	MODELS To FIT	PART DESCRIPTION	LIST COST
1	43675187	C1632	OUTER BAG COMPLETE	107.99
2	41128007	C1632	BAG CLIP AND SPRING	10.79
3	43674221	C1632	OUTER BAG - ONLY	71.28
4	017206--	C1632	SCREW	.38
5	015854EF	C1632	NUT	.41
6	38657004	C1632	TOP FILL TUBE	4.31
7	48646093	C1632	HANDLE COMPLETE	35.09
8	39454070	C1632	HANDLE GRIP	2.80
9	48643091	C1632	UPPER HANDLE	24.29
10	46583009	C1632	POWER CORD 50'	39.95
11	21631302	C1632	HANDLE BOLT	1.07
12	013704--	C1632	LOCK WASHER	.33
13	32277008	C1632	HANDLE CLAMP NUT	1.07
14	34785017	C1632	CORD RETAINER	2.47
15	36215025	C1632	CORD PROTECTOR	1.93
16	48631134	C1632	LOWER HANDLE	16.19
17	24735022	C1632	CIRCULAR CLIP	.54
18	38424003	C1632	SWITCH PEDAL	3.23
19	35217006	C1632	MOUNTING BRACKET	2.15
20	613802AY	C1632	SHAFT	1.39
21	38426080	C1632	FOOT PAD	N.L.A.
22	28212017	C1632	SWITCH	10.79
23	048969--	C1632	WIRE NUT	.27
24	012560--	C1632	NUT	.37
25	41416064	C1632	BAIL	43.19
26		C1632	PART NOT AVAILABLE	-
27	35463011	C1632	HANDLE RETAINER PLATE	1.39
28	23187363	C1632	SCREW	N.A.
29	36913026	C1632	INSULATOR / STRAIN RELIEF	2.47
30	37954004	C1632	BAIL COVER PLATE	1.72
31		C1632	PART NOT AVAILABLE	-
32	27479307	C1632	CABLE TIE	.22
33	38456044	C1632	NOZZLE ADJUSTMENT LEVER	2.80
34	21354155	C1632	LOCK WASHER	N.L.A.
35	161509AY	C1632	BAIL SHAFT	2.15
36	013730--	C1632	LOCK RING	.38

FOR VACUUM CLEANER PARTS PLEASE CALL 608-836-7771



Professional³

1

PART LISTING / PRICE LIST

MODEL No.

C1632

ITEM	PART NUMBER	MODELS To FIT	PART DESCRIPTION	LIST COST
37	51151037	C1632	INDICATOR	N.L.A.
38	12002663	C1632	HANDLE CONTROL PIN	1.00
39	019907--	C1632	BAG FLANGE CLMAP LEVER	1.07
40	048409FW	C1632	SPRING	1.07
41	46515007	C1632	BAIL CORD TUBING ASSEMBLY	10.79
42	34252005	C1632	YOKE	.54
43	161513--	C1632	SPRING	1.07
44	38456050	C1632	HANDLE CONTROL LEVER	3.23
45	047450AY	C1632	PIVOT PIN	1.07
46	27479307	C1632	CABLE TIE	.22
47	41961009	C1632	INDICATOR GUIDE ASSEMBLY	N.A.
48	35276006	C1632	INDICATOR GUIDE SPRING	N.A.
49	41119009	C1632	RETAINER AND SLEEVING	1.39
50	21447220	C1632	SCREW	.54
51	168278AY	C1632	WASHER	N.A.
52	012997AW	C1632	RIVET	.54
53	36951004	C1632	RETAINER	N.A.
54	21256134	C1632	RIVET	N.A.
55	48111008	C1632	INDICATOR LENS	2.47
56	42251336	C1632	HOOD / NOZZLE COVER	35.09
57	37246044	C1632	HOOD PANEL	5.39
58	52115214	C1632	HOOD NAME PLATE	N.A.
59	36231151	C1632	FURNITURE GUARD	N.A.
60	45533AY-	C1632	SCREW	N.A.
61	014062--	C1632	LOCK WASHER	.38
62	43574191	C1632	MOTOR AND SEAL KIT	97.20
63	012559FW	C1632	SPRING	1.07
64	214793DA	C1632	SCREW - SELF TAPPING	.54
65	34665007	C1632	PIVOT PIN RETAINER	1.07
66	034791AG	C1632	FRONT WHEEL	2.47
67	21312724	C1632	WASHER	1.07
68	047457AY	C1632	FRONT WHEEL SHAFT	1.07
69	048422--	C1632	RIVET	N.A.
70	42242277	C1632	MAIN BODY / NOZZLE BASE	50.75
71	21312781	C1632	SUPPORT WASHER	1.07
72	34784021	C1632	AGITATOR RETAINING SPRING	1.07

FOR VACUUM CLEANER PARTS PLEASE CALL 608-836-7771



Professional[®]

1

PART LISTING / PRICE LIST

MODEL No.

C1632

ITEM	PART NUMBER	MODELS TO FIT	PART DESCRIPTION	LIST COST
73	4010100A	C1632	ALLERGEN PAPER BAG - 3 PACK	3.62
74		C1632	PART NOT AVAILABLE	-
75	48414021	C1632	AGITATOR / BRUSH ROLL COMPLETE	32.39
	012985AY	C1632	AGITATOR THREAD GUARD - RIGHT	2.15
	035366--	C1632	AGITATOR THRUST SPRING	1.07
	21347003	C1632	AGITATOR CONICAL WASHER	1.07
	32724008	C1632	AGITATOR SHAFT	2.47
	41435070	C1632	AGITATOR END ASSEMBLY	6.47
	43267002	C1632	AGITATOR BEARING ASSEMBLY	2.47
	48445001	C1632	AGITATOR BRUSH - BACK	3.23
	048495AY	C1632	THREAD GUARD - LEFT	3.23
76	044783AG	C1632	BELT	.89
77	38313023	C1632	MOTOR LEAD SPRING	N.A.
78	37245081	C1632	BOTTOM PLATE / NOZZLE GUARD - PLASTIC	10.78
79	36153006	C1632	LATCH	1.07
80	214793DA	C1632	SCREW - SELF TAPPING	.54
81	21447020	C1632	SCREW	.54
82	214793DA	C1632	SCREW - SELF TAPPING	.54
83	35434040	C1632	AXLE / BAG FLANGE REATINER	1.93
84	21312806	C1632	WASHER	1.07
85	41431013	C1632	WHEEL SHAFT AND SUPPORT	6.04
86	43263005	C1632	CAM FOLLOWER - PLASTIC	2.80
87	38521019	C1632	REAR WHEEL	1.07
88	32182001	C1632	WHEEL RETAINER	.54
89	21256094	C1632	RIVET	N.A.
90	39441016	C1632	CORD CLIP	3.23
91	41424011	C1632	BAG FLANGE WITH SEALANT	4.31
92	38673001	C1632	BELLOWS	2.68
93	38336019	C1632	JACKET SUPPORT SPRING	1.39
	58343033	C1632	FRONT SUPPORT	N.A.
	58366098	C1632	REAR SUPPORT	N.A.

FOR VACUUM CLEANER PARTS PLEASE CALL 608-836-7771



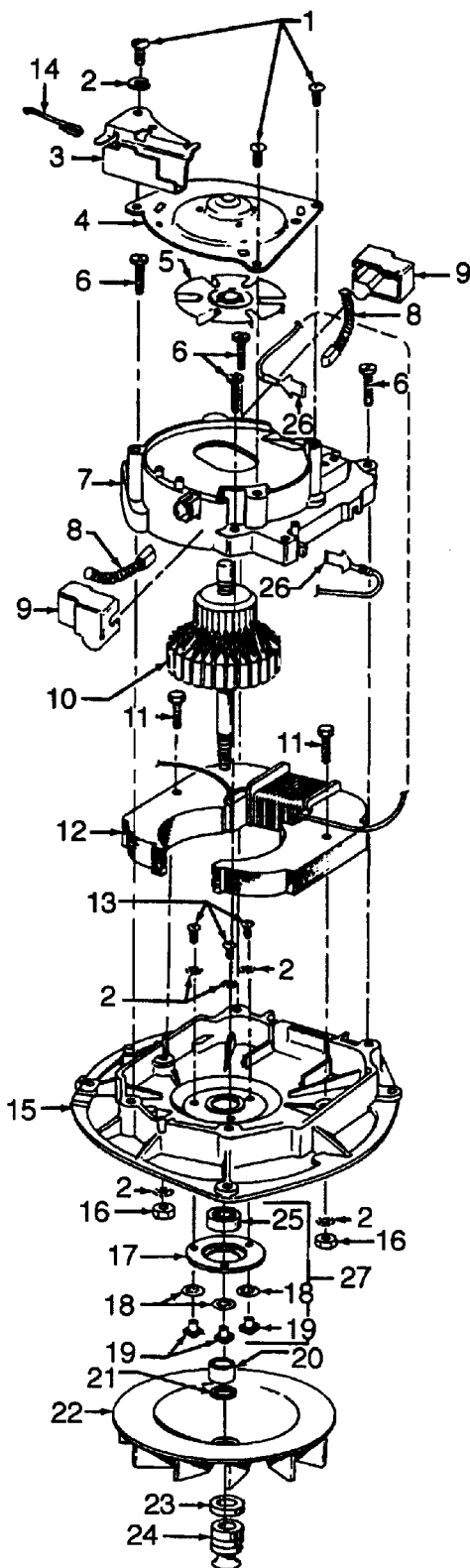
Professional³

1

ASSEMBLY SCHEMATIC

[MODEL NO.](#)

C1632



FOR VACUUM CLEANER PARTS PLEASE CALL 608-836-7771



Professional³

1

PART LISTING / PRICE LIST

MODEL No.

C1632

ITEM	PART NUMBER	MODELS TO FIT	PART DESCRIPTION	LIST COST
1	45533AY	C1632	SCREW	N.A.
2	014062--	C1632	LOCK WASHER	.38
3	41961009	C1632	INDICATOR GUIDE ASSEMBLY	N.A.
4	42934002	C1632	UPPER MOTOR BEARING	4.85
5	38755005	C1632	VENT FAN - PLASTIC	2.15
6	161535--	C1632	SCREW	N.A.
7	42195003	C1632	UPPER MOTOR CASING	18.35
8	47318012	C1632	MOTOR BRUSH	2.80
9	36315003	C1632	BRUSH CAP	1.07
10	44768049	C1632	ARMATURE	53.99
11	045118--	C1632	FIELD BOLT	1.07
12	45412015	C1632	FIELD COIL	N.A.
13	21772501	C1632	SCREW	.54
14	35276006	C1632	INDICATOR GUIDE SPRING	N.A.
15	42193006	C1632	MOTOR CASE - LEFT	7.56
16	015673--	C1632	HEX NUT	.38
17	32184003	C1632	BEARING RETAINER - 8MM	N.A.
18	019772--	C1632	WASHER LOCK	.54
19	045251--	C1632	NUT	1.07
20	31731002	C1632	FAN SPACER - 8MM	N.L.A.
21	166563--	C1632	WASHER	.85
22	38755011	C1632	FAN	3.42
23	31162004	C1632	WASHER - HEAT INSULATION	1.07
24	38532005	C1632	MOTOR PULLEY	1.61
25	24152807	C1632	MOTOR BEARING - 8MM	3.69
26	014320--	C1632	TERMINAL	.15
27	43267006	C1632	BEARING ASSEMBLY COMPLETE	14.03

FOR VACUUM CLEANER PARTS PLEASE CALL 608-836-7771