



# COMMERCIAL Professional<sup>3</sup>

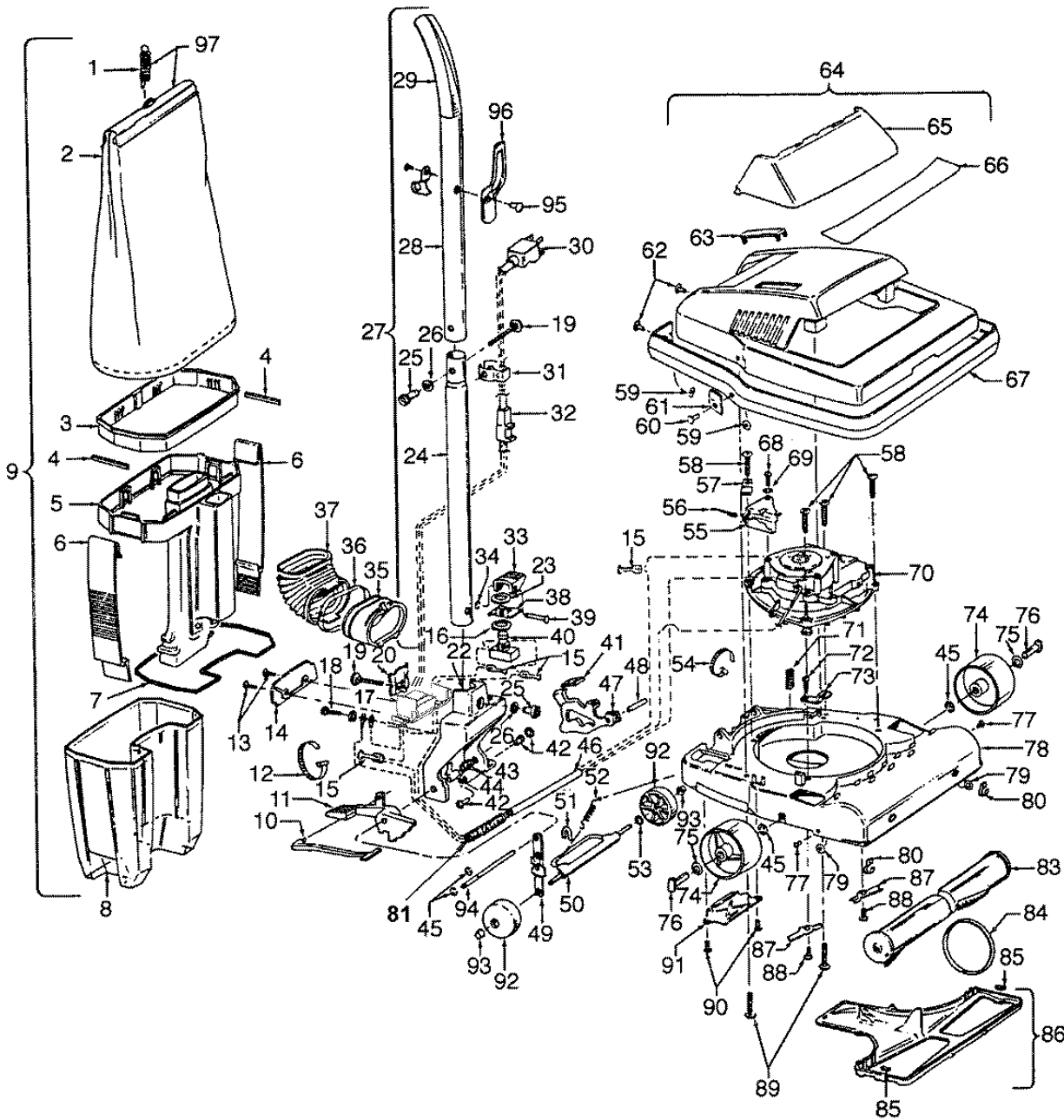
2

## ASSEMBLY SCHEMATIC

MODEL NO.

C1633  
C1634

FOR VACUUM CLEANER PARTS PLEASE CALL 608-836-7771





# COMMERCIAL

# Professional<sup>3</sup>

# 2

## PART LISTING / PRICE LIST

MODEL No.

C1633  
C1634

ITEM	PART NUMBER	MODELS TO FIT	PART DESCRIPTION	LIST COST
1	38335009	C1633, C1634	SUPPORT SPRING	1.39
2	43667056	C1633, C1634	CLOTH BAG ASSEMBLY	39.95
3	35173001	C1633, C1634	EXPANDER	4.31
4	34122009	C1633, C1634	SEAL	1.07
5	41427013	C1633, C1634	DUST CUP SUPPORT ASSEMBLY	43.43
6	36155011	C1633, C1634	LATCH	5.93
7	34123020	C1633, C1634	GASKET	1.07
8	38775001	C1633, C1634	DIRT CUP	19.43
9	43675188	C1633, C1634	BAG ASSEMBLY	40.50
10	51151037	C1633, C1634	INDICATOR	N.L.A.
11	38456044	C1633, C1634	NOZZLE ADJUSTMENT LEVER	2.80
12	27479307	C1633, C1634	CABLE TIE	.22
13	012954--	C1633, C1634	SCREW	N.A.
14	37954004	C1633, C1634	BAIL / HANDLE FORK COVER PLATE	1.72
15	048969--	C1633, C1634	WIRE NUT	.27
16	21354155	C1633, C1634	LOCK WASHER	N.L.A.
17	36913026	C1633, C1634	INSULATOR / STRAIN RELIEF	2.47
18	23187363	C1633, C1634	SCREW	N.A.
19	21631302	C1633, C1634	HANDLE BOLT	1.07
20	35463011	C1633, C1634	HANDLE RETAINER PLATE	1.39
21		C1633, C1634	PART NOT AVAILABLE	-
22	41416064	C1633, C1634	BAIL / HANDLE FORK	43.19
23	012560--	C1633, C1634	NUT	.37
24	48631134	C1633, C1634	LOWER HANDLE	16.19
25	32277008	C1633, C1634	HANDLE CLAMP NUT	1.07
26	013704--	C1633, C1634	LOCK WASHER	.33
27	48646093	C1633, C1634	HANDLE ASSEMBLY	35.09
28	48643091	C1633, C1634	UPPER HANDLE HALF	24.29
29	39454070	C1633, C1634	HANDLE GRIP	2.80
30	46583009	C1633, C1634	POWER CORD - 50'	39.95
31	34785017	C1633, C1634	CORD RETAINER	2.47
32	36215025	C1633, C1634	CORD PROTECTOR	1.93
33	38424003	C1633, C1634	SWITCH PEDAL	3.23
34	24735022	C1633, C1634	CIRCULAR CLIP	.54
35	41424011	C1633, C1634	BAG FLANGE WITH SEALANT	4.31
36	36425023	C1633, C1634	CLAMP	1.50

FOR VACUUM CLEANER PARTS PLEASE CALL 608-836-7771



# COMMERCIAL

# Professional<sup>®</sup>

# 2

## PART LISTING / PRICE LIST

MODEL No.

C1633  
C1634

ITEM	PART NUMBER	MODELS TO FIT	PART DESCRIPTION	LIST COST
37	38673001	C1633, C1634	BELLOWS	2.68
38	35217006	C1633, C1634	MOUNTING BRACKET	2.15
39	613802AY	C1633, C1634	SHAFT	1.39
40	28212017	C1633, C1634	SWITCH	10.79
41	38426080	C1633, C1634	FOOT PAD	N.L.A.
42	12002663	C1633, C1634	HANDLE ROLL PIN	1.00
43	048409FW	C1633, C1634	SPRING	1.07
44	019907--	C1633, C1634	BAG FLANGE CLAMP LEVER	1.07
45	013730--	C1633, C1634	LOCK RING	.38
46	46515007	C1633, C1634	CORD / TUBING ASSEMBLY	10.79
47	38456050	C1633, C1634	HANDLE LEVER	3.23
48	047450AY	C1633, C1634	PIVOT PIN	1.07
49	43263005	C1633, C1634	CAM FOLLOWER -PLASTIC	2.80
50	41431013	C1633, C1634	WHEEL SHAFT AND SUPPORT	6.04
51	34252005	C1633, C1634	YOKE	.54
52	161513--	C1633, C1634	SPRING	1.07
53	21312806	C1633, C1634	WASHER	1.07
54	27479307	C1633, C1634	CABLE TIE	.22
55	41961009	C1633, C1634	INDICATOR GUIDE ASSEMBLY	N.A.
56	35276006	C1633, C1634	INDICATOR GUIDE SPRING	N.A.
57	41119009	C1633, C1634	RETAINER AND SLEEVING	1.39
58	21447220	C1633, C1634	SCREW	.54
59	168278AY	C1633, C1634	WASHER	N.A.
60	012997AW	C1633, C1634	RIVET	.54
61	36951004	C1633, C1634	RETAINER	N.A.
62	21256134	C1633, C1634	RIVET	N.A.
63	48111008	C1633, C1634	INDICATOR LENS	2.47
64	42251336	C1633, C1634	HOOD / NOZZLE COVER	35.09
65	37246044	C1633, C1634	HOOD PANEL	5.39
66	52115214	C1633, C1634	HOOD NAME PLATE	N.A.
67	36231151	C1633, C1634	FURNITURE GUARD	N.A.
68	045533AY	C1633, C1634	SCREW	N.A.
69	014062--	C1633, C1634	LOCK WASHER	.38
70	43574191	C1633, C1634	MOTOR AND SEAL KIT	97.20
71	012559FW	C1633, C1634	SPRING	1.07
72	214793DA	C1633, C1634	SCREW - SELF TAPPING	.54

FOR VACUUM CLEANER PARTS PLEASE CALL 608-836-7771



# COMMERCIAL

# Professional<sup>®</sup>

# 2

## PART LISTING / PRICE LIST

MODEL No.

C1633  
C1634

ITEM	PART NUMBER	MODELS TO FIT	PART DESCRIPTION	LIST COST
73	34665007	C1633, C1634	PIVOT PIN RETAINER	1.07
74	034791AG	C1633, C1634	FRONT WHEEL	2.47
75	21312724	C1633, C1634	WASHER	1.07
76	047457AY	C1633, C1634	FRONT WHEEL SHAFT	1.07
77	048422--	C1633, C1634	RIVET	N.A.
78	42242277	C1633, C1634	MAIN BODY - NOZZLE BASE	50.75
79	21312781	C1633, C1634	SUPPORT WASHER	1.07
80	34784021	C1633, C1634	AGITATOR RETAINING SPRING	1.07
81	38313023	C1633, C1634	MOTOR LEAD SPRING	N.A.
82		C1633, C1634	PART NOT AVAILABLE	-
83	48414021	C1633, C1634	AGITATOR ASSEMBLY	32.39
	012985AY	C1633, C1634	THREAD GUARD - RIGHT	2.15
	035366--	C1633, C1634	THRUST SPRING	1.07
	21347003	C1633, C1634	CONICAL WASHER	1.07
	32724008	C1633, C1634	AGITATOR SHAFT	2.47
	41435070	C1633, C1634	AGITATOR END ASSEMBLY	6.47
	43267002	C1633, C1634	AGITATOR BEARING ASSEMBLY	2.47
	48445001	C1633, C1634	AGITATOR BRUSH - BACK	3.23
	048495AY	C1633, C1634	THREAD GUARD - LEFT	3.23
84	044783AG	C1633, C1634	BELT	.89
85		C1633, C1634	PART NOT AVAILABLE	-
86	37245081	C1633, C1634	BOTTOM PLATE / NOZZLE GUARD - PLASTIC	10.78
87	36153006	C1633, C1634	LATCH	1.07
88	214793DA	C1633, C1634	SCREW - SELF TAPPING	.54
89	21447020	C1633, C1634	SCREW	.54
90	214793DA	C1633, C1634	SCREW - SELF TAPPING	.54
91	35434040	C1633, C1634	AXLE / BAG FLANGE RETAINER	1.93
92	38521019	C1633, C1634	REAR WHEEL	1.87
93	32182001	C1633, C1634	WHEEL REATINER	.54
94	161509AY	C1633, C1634	BAIL / HANDLE FORK SHAFT	2.15
95	21256094	C1633, C1634	RIVET	N.A.
96	39441016	C1633, C1634	CORD CLIP	3.23
97	41128021	C1633, C1634	BAG CLIP AND SPRING	9.28
	58216006	C1633, C1634	DIRT CUP MIDDLE	N.A.
	58343025	C1633, C1634	FRONT SUPPORT	N.A.
	58366012	C1633, C1634	REAR SUPPORT	N.A.

FOR VACUUM CLEANER PARTS PLEASE CALL 608-836-7771



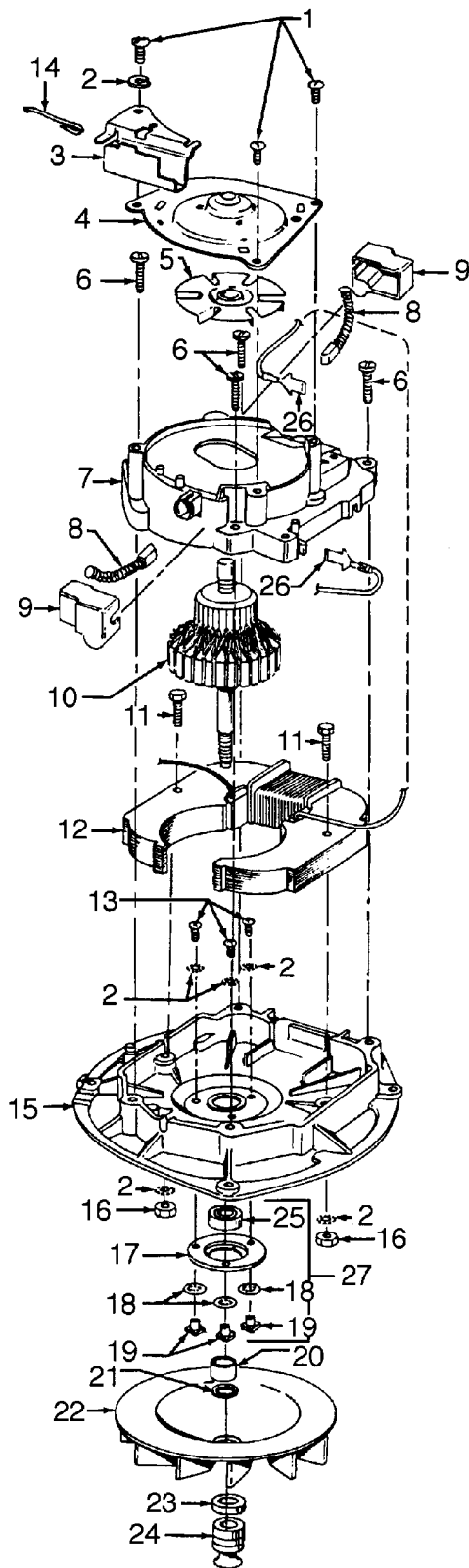
# COMMERCIAL Professional<sup>3</sup>

2

## ASSEMBLY SCHEMATIC

MODEL NO.

C1633  
C1634



FOR VACUUM CLEANER PARTS PLEASE CALL 608-836-7771



# COMMERCIAL

# Professional<sup>3</sup>

# 2

## PART LISTING / PRICE LIST

MODEL No.

C1633  
C1634

ITEM	PART NUMBER	MODELS TO FIT	PART DESCRIPTION	LIST COST
1	045533AY	C1633, C1634	SCREW	N.A.
2	014062--	C1633, C1634	LOCK WASHER	.38
3	41961009	C1633, C1634	INDICATOR GUIDE ASSEMBLY	N.A.
4	42934002	C1633, C1634	UPPER MOTOR BEARING	4.85
5	38755005	C1633, C1634	VENT FAN - PLASTIC	2.15
6	161535--	C1633, C1634	SCREW	N.A.
7	42195003	C1633, C1634	UPPER MOTOR CASING	18.35
8	47318012	C1633, C1634	MOTOR BRUSH	2.80
9	36315003	C1633, C1634	BRUSH CAP	1.07
10	44768043	C1633, C1634	ARMATURE	53.99
11	045118--	C1633, C1634	FIELD BOLT	1.07
12	45412015	C1633, C1634	FIELD COIL	N.A.
13	21772501	C1633, C1634	SCREW	.54
14	35276006	C1633, C1634	INDICATOR GUIDE	N.A.
15	42193006	C1633, C1634	MOTOR CASE - LEFT	7.56
16	015673--	C1633, C1634	HEX NUT	.38
17	32184003	C1633, C1634	BEARING RETAINER - 8MM	N.A.
18	019772--	C1633, C1634	LOCK WASHER	.54
19	045251--	C1633, C1634	NUT	1.07
20	31731002	C1633, C1634	FAN SPACER - 8MM	N.L.A.
21	166563--	C1633, C1634	WASHER	.85
22	38755011	C1633, C1634	FAN	3.42
23	31162004	C1633, C1634	WASHER - HEAT INSULATION	1.07
24	38532005	C1633, C1634	MOTOR PULLEY - HEAT IN	1.61
25	24152807	C1633, C1634	MOTOR BEARING - 8MM	3.69
26	014320--	C1633, C1634	TERMINAL	.15
27	43267006	C1633, C1634	BEARING ASSEMBLY	14.03

FOR VACUUM CLEANER PARTS PLEASE CALL 608-836-7771